

IMPORTANT SAFEGUARDS

When using electrical equipment, basic safety precautions should always be followed including the following

a) **Ensure the uvc lamp is powered off prior to servicing**

READ AND FOLLOW ALL SAFETY INSTRUCTIONS

a) This equipment is designed for use with germicidal UV radiation sources and must be installed in compliance with competent technical directions to prevent risk of personal injury from UV radiation .

b) UV radiation can pose a risk of personal injury. Overexposure can result in damage to eyes and bare skin. To reduce the risk of overexposure this equipment must be installed in accordance with the manufacturer's site planning recommendations. This may include instructions on the relative location of each germicidal system component, the minimum distances between UV-generating devices and other objects or surfaces, and protection from line-of-sight exposure to UV radiation in occupied spaces located above the equipment mounting area (e.g. upper floor balconies, open staircases, etc.)

c) UV and optical radiation can be reflected by surrounding surfaces such as ceilings and walls. Since the reflective properties of surfaces can vary widely, it should be considered as part of site planning. Follow the manufacturer's recommendations for selecting appropriate ceiling and wall finishes.

d) IT IS THE RESPONSIBILITY OF THE INSTALLER TO ENSURE THAT PERSONS WILL NOT BE EXPOSED TO EXCESSIVE UV OR OPTICAL RADIATION DURING EQUIPMENT OPERATION. THIS WILL REQUIRE THE INSTALLER TO CONDUCT AN ASSESSMENT OF IRRADIANCE OR ILLUMINANCE LEVELS IN THE SURROUNDING OCCUPIED SPACES PRIOR TO OCCUPANCY.

e) Equipment should be mounted in locations and at heights where it will not readily be subjected to tampering by unauthorized personnel.

f) Maintenance and servicing of this UV generating equipment shall be performed by authorized personnel. Service personnel must wear appropriate Personal Protective Equipment (PPE) if the equipment will be in operation during the maintenance or servicing work. Contact the equipment manufacturer for PPE recommendations and guidance. **Ensure that the equipment is powered off prior to servicing.**

g) When replacing lamps, replace them only with the lamps for which the equipment is marked and intended.

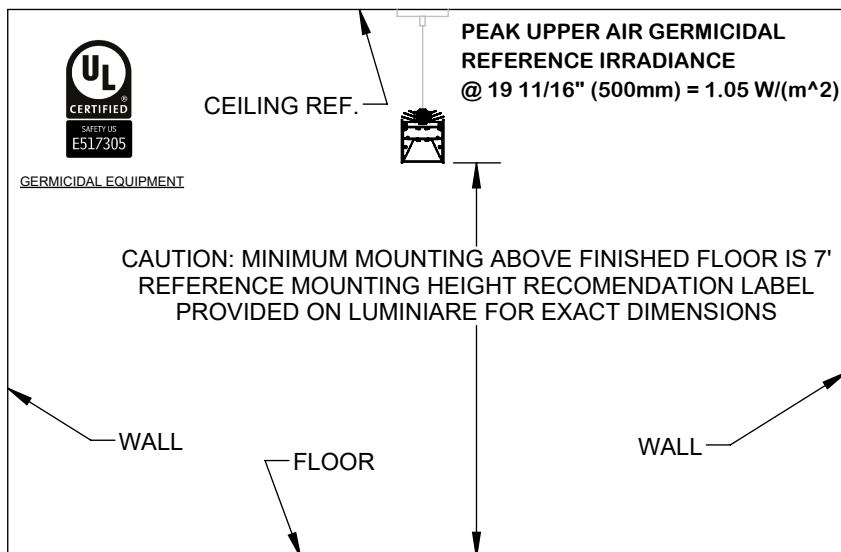
h) The use of accessory equipment not recommended by the manufacturer may cause an unsafe condition.

i) Do not use this equipment for other than intended use.

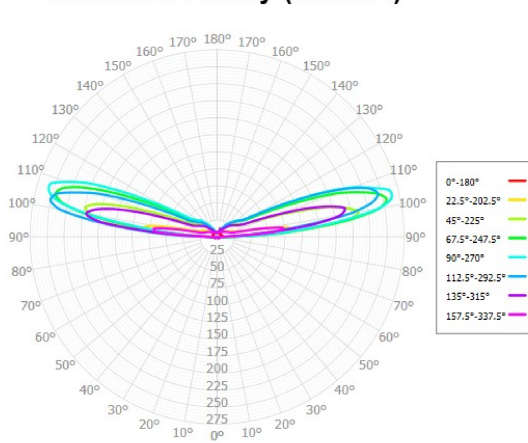
SAVE THESE INSTRUCTIONS

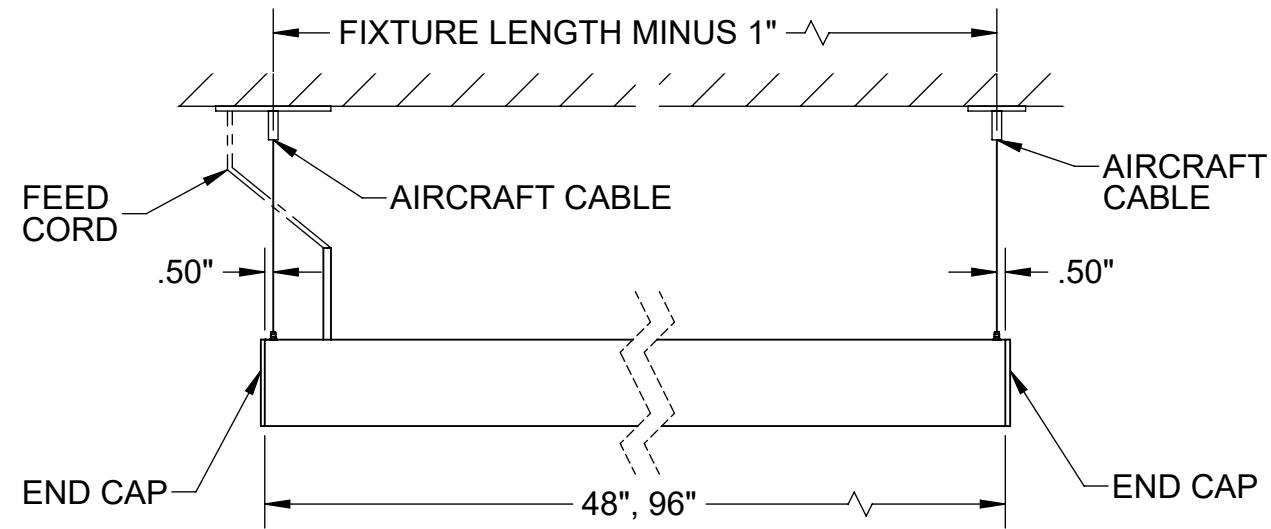
Notes

1. General personal protective equipment required for servicing electrical luminaires applies.
2. Installation and servicing should be performed by qualified personnel.

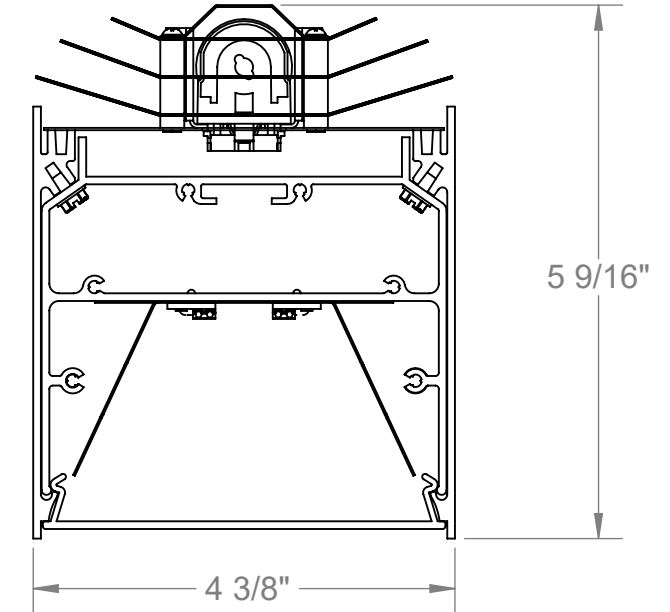


Radiant Intensity (mW/SR)

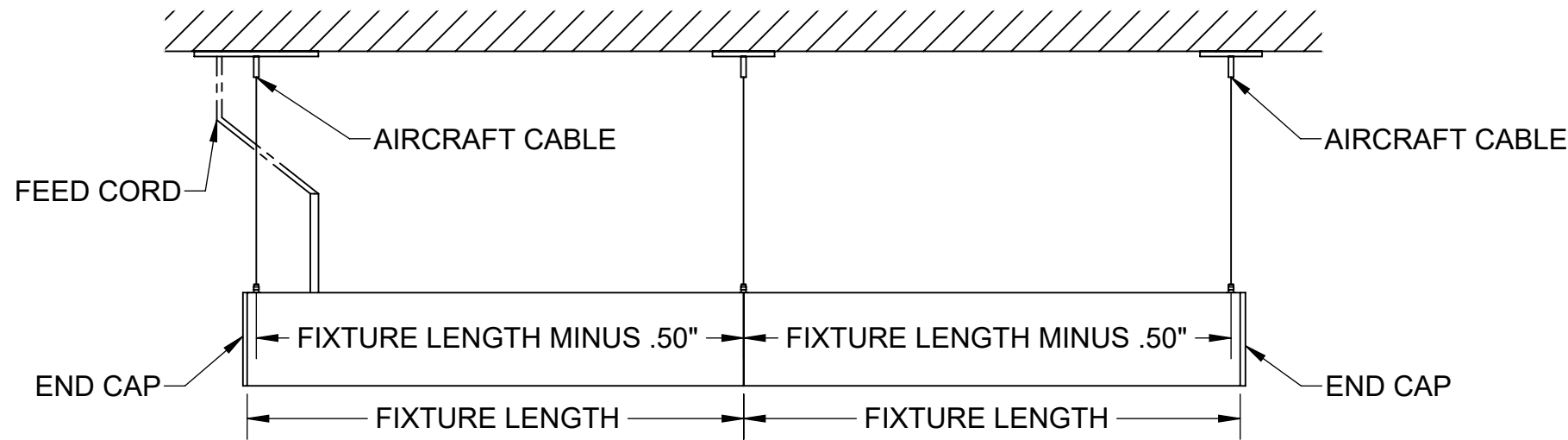




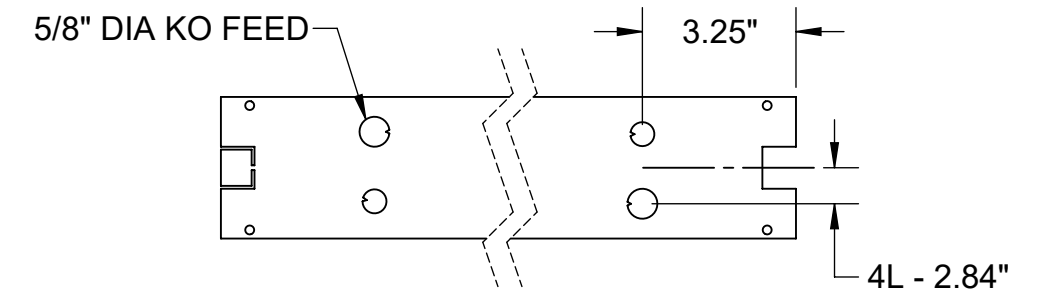
SIDE VIEW - INDIVIDUALLY MOUNTED



CROSS SECTION VIEW P-D



SIDE VIEW - ROW MOUNTED



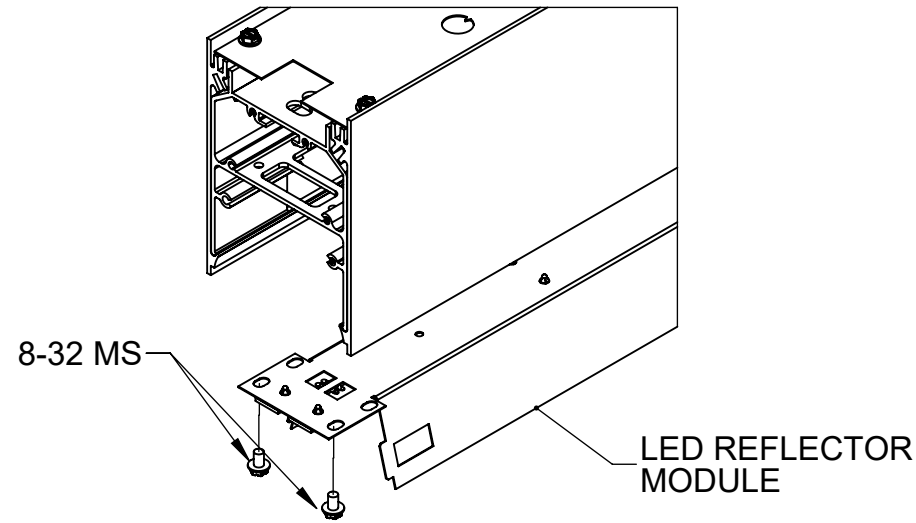
PLAN VIEW P-D

GENERAL NOTES: (READ SHEETS COMPLETELY BEFORE STARTING)

1. LEAVE PROTECTIVE WRAPPING MATERIAL ON FIXTURE(S) UNTIL START OF INSTALLATION TO PROTECT FINISH FROM DAMAGE.
2. FIXTURES ARE SUPPLIED WITH FACTORY-INSTALLED BRANCH CIRCUIT WIRING. REFER TO SUPPLEMENTAL INSTRUCTION SHEET WHEN MAKING CONNECTIONS.
3. APPROXIMATE WEIGHT OF FIXTURE IS 3.50 LBS PER FOOT OF LENGTH.

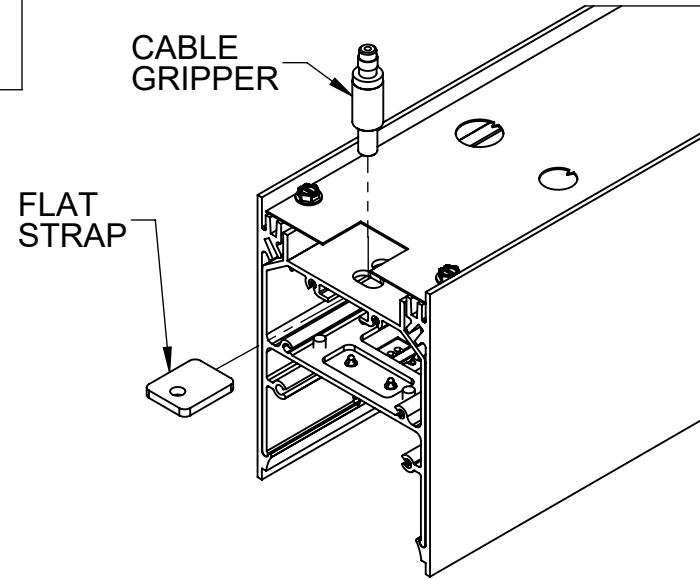
TOOLS REQUIRED	SUPPLIED BY INSTALLER
- SCREWDRIVER/DRILL	

1 LOCATE FIXTURE DIMENSIONS ALONG STRAIGHT LINE ON THE CEILING. SEE SIDE VIEW ON PAGE 1.



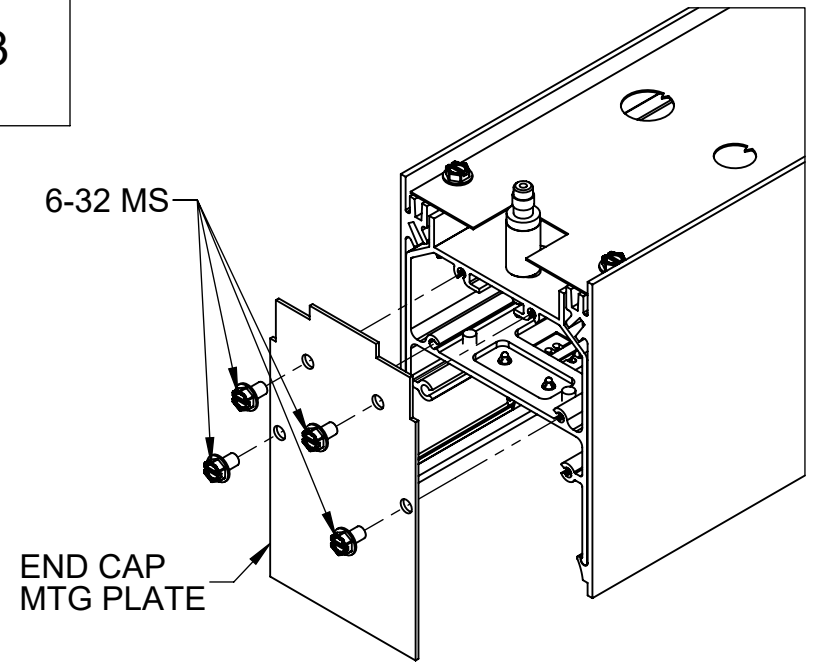
PEEL BACK FOAM WRAPPING AND DETACH LED REFLECTOR MODULES BY LOOSENING 8-32 MACHINE SCREWS AS ILLUSTRATED. SCREWS ARE RETAINED BY LOCKING NUTS AND CANNOT BE REMOVED.

2



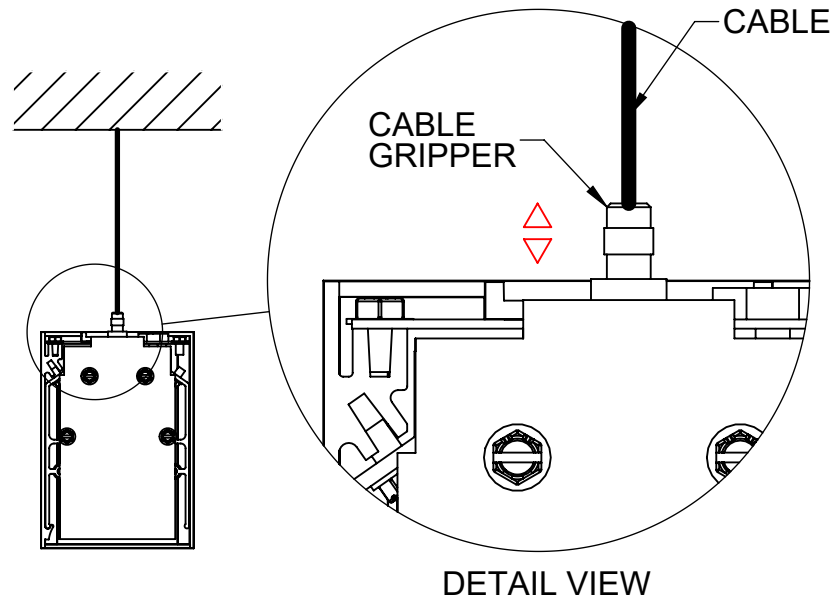
INSERT FLAT STRAP INTO 1ST FIXTURE AT CABLE LOCATION AND THREAD GRIPPER INTO STRAP. REPEAT AT OPPOSITE END OF FIXTURE. IF INSTALLING ROW, ATTACH CABLE ASSEMBLY WITH FLAT STRAP AT FAR END OF REMAINING FIXTURE(S). FLAT STRAP CANNOT BE PROTRUDING OUT ON THE EOR FIXTURES.

3



ATTACH END CAP MOUNTING PLATE (SHIPPED SEPARATELY) TO NEAR END OF 1ST FIXTURE WITH 6-32 MACHINE SCREWS PROVIDED. IF INSTALLING INDIVIDUAL FIXTURE, REPEAT FOR FAR END.

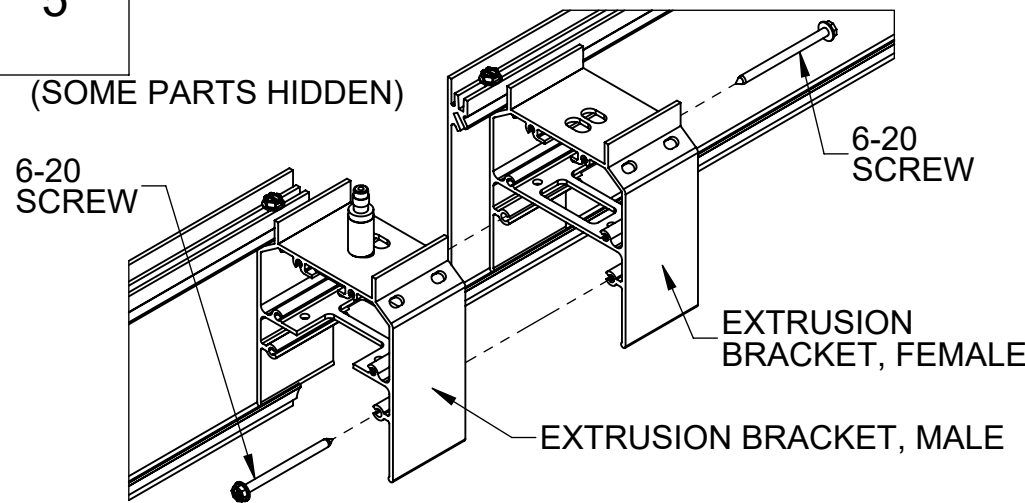
4



LIFT 1ST FIXTURE AND ATTACH CABLES TO CEILING. LEVEL FIXTURE BY ADJUSTING GRIPPER UP OR DOWN. REFER TO CABLE INSTRUCTION SHEET 510541.

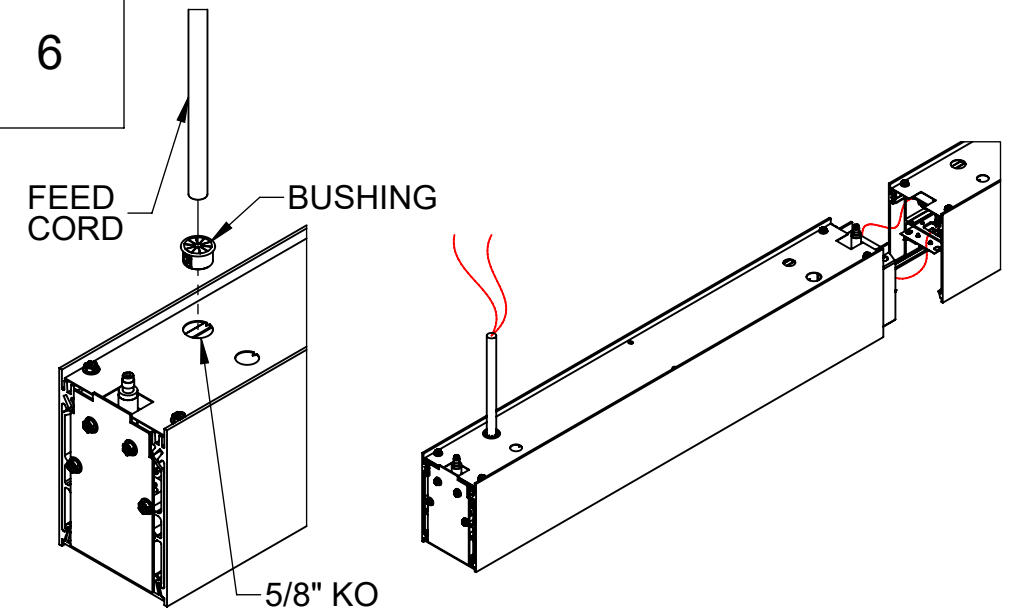
IF INSTALLING SINGLE FIXTURE, SKIP TO STEP 6.

5



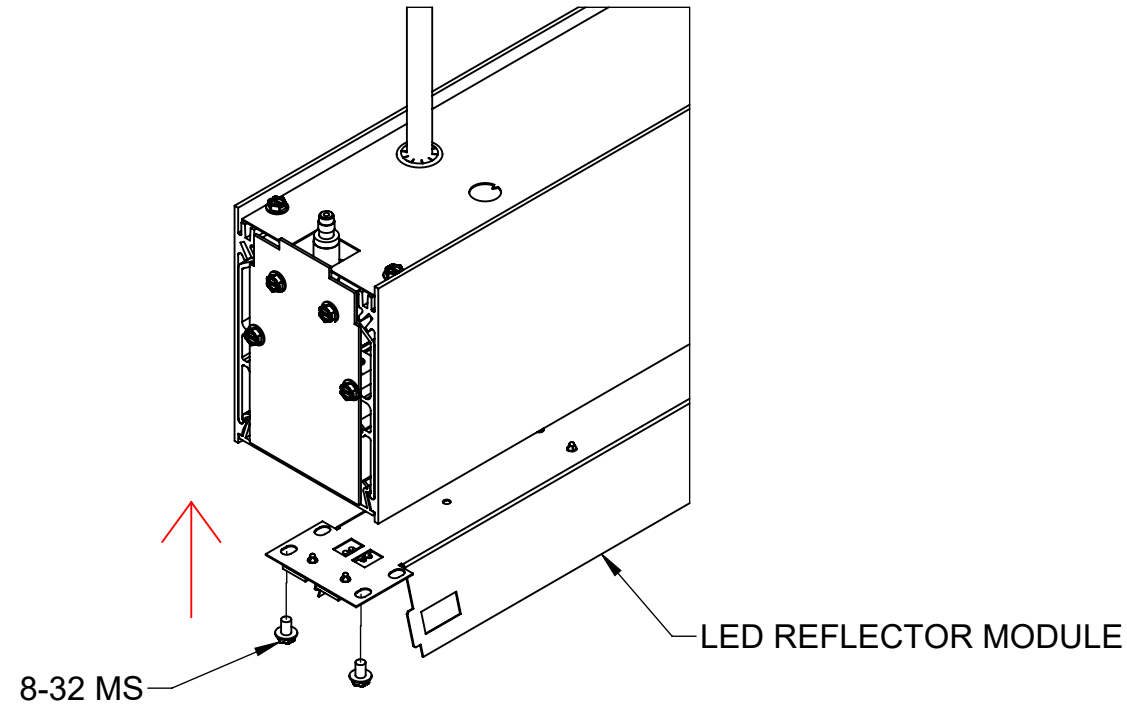
MOUNT NEXT FIXTURE IN ROW PER STEP 4. AT FIXTURE JOINT, ALIGN AND INSERT EXTRUSION BRACKET OF MALE FIXTURE INTO ADJOINING FIXTURE BEFORE SECURING JOINT USING 6-20 X 2" LONG HEX HEAD SCREWS. TIGHTEN EACH SCREW GRADUALLY, ALTERNATING BETWEEN SIDES. DO NOT OVER TIGHTEN EITHER SIDE AS THIS COULD CAUSE UNALIGNED FIXTURE STRAIGHTNESS AT JOINTS. IF REQUIRED, ADJUST MOUNTING SCREWS TO ENSURE PROPER ROW STRAIGHTNESS AND ALIGNMENT

6



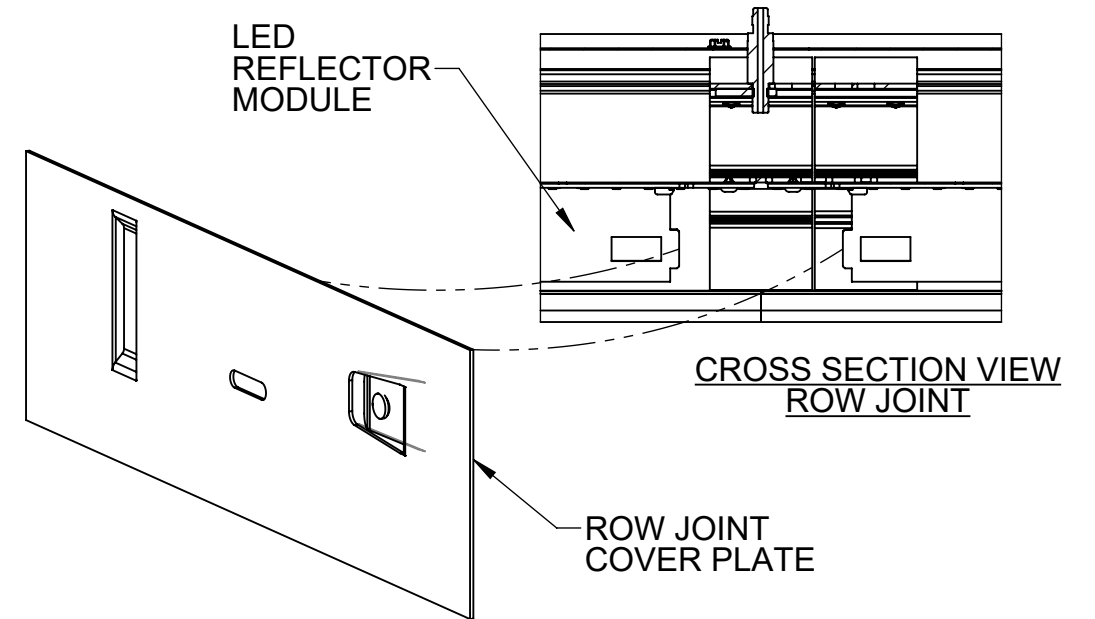
INSERT UNIVERSAL BUSHING ONTO FEED CORD AND INSERT BUSHING INTO 5/8" HOLE IN TOP OF HOUSING (AFTER REMOVING KNOCKOUT). MAKE WIRING CONNECTIONS. FOR ROW, WIRE FEED MAY BE BROUGHT INTO ABUTTING FIXTURES THROUGH WIREWAY OPENING IN END HEADERS.

7



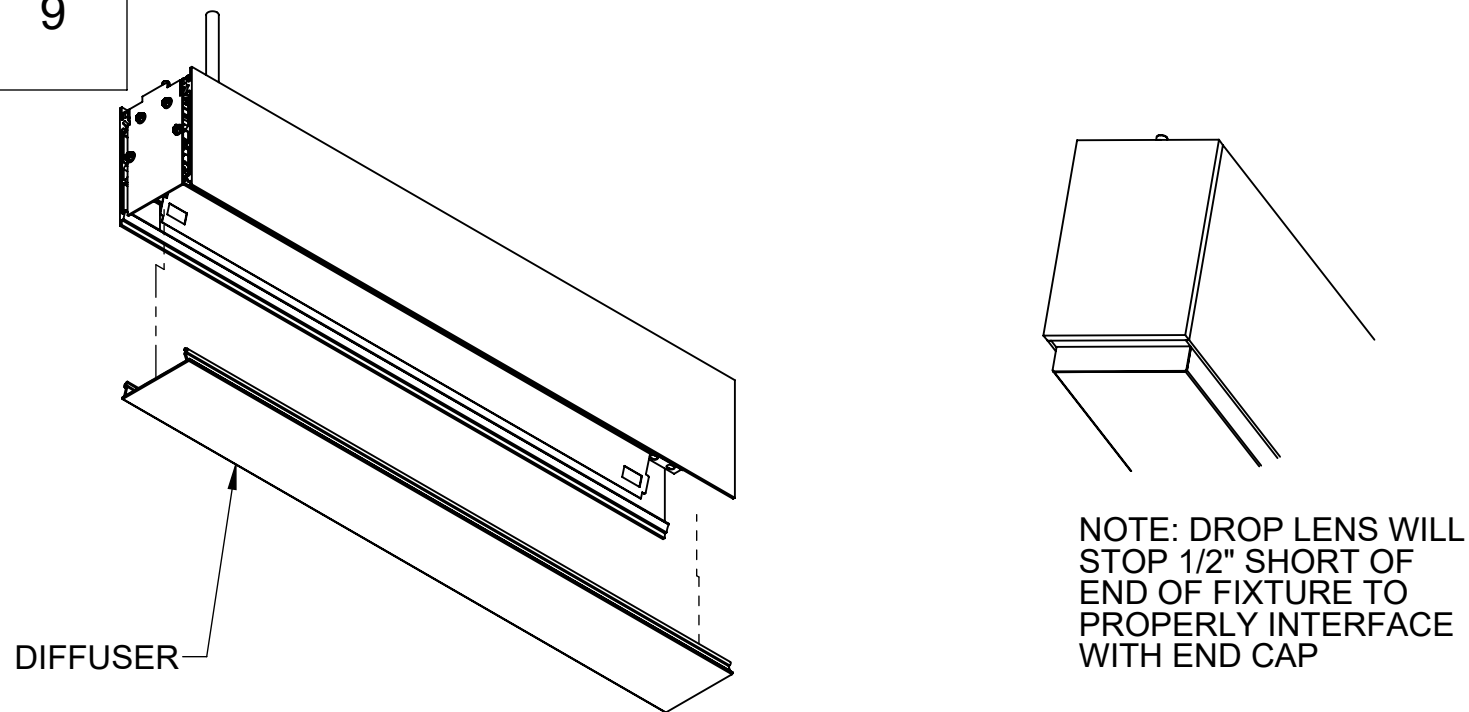
REATTACH LED REFLECTOR MODULE(S). CLEAN FIXTURE EXTERIOR WITH A GENERAL WINDOW CLEANER.

8



IF INSTALLING ROW, ATTACH ROW JOINT COVER PLATE(S) AT JOINT(S).

9



SNAP DIFFUSER INTO BOTTOM OF HOUSING. TO REMOVE, INSERT SCREW DRIVER OR FLAT HEAD PRY TOOL INTO THE SIDE SIDE OF THE HOUSING AND PULL DOWN. LAST DIFFUSER IN ROW MUST BE CUT TO LENGTH; SEE INSTRUCTION SHEET 510647.

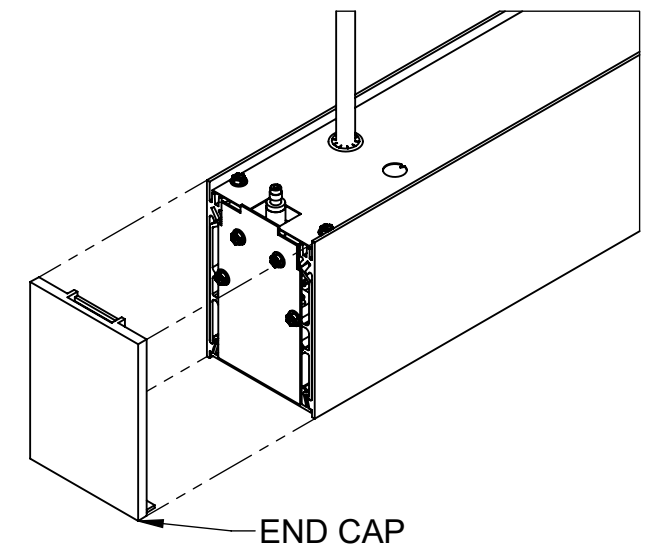
NOTE: DROP LENS WILL STOP 1/2" SHORT OF END OF FIXTURE TO PROPERLY INTERFACE WITH END CAP

10

IF INSTALLING INDIVIDUAL FIXTURE, ATTACH END CAPS TO EACH END OF FIXTURE.

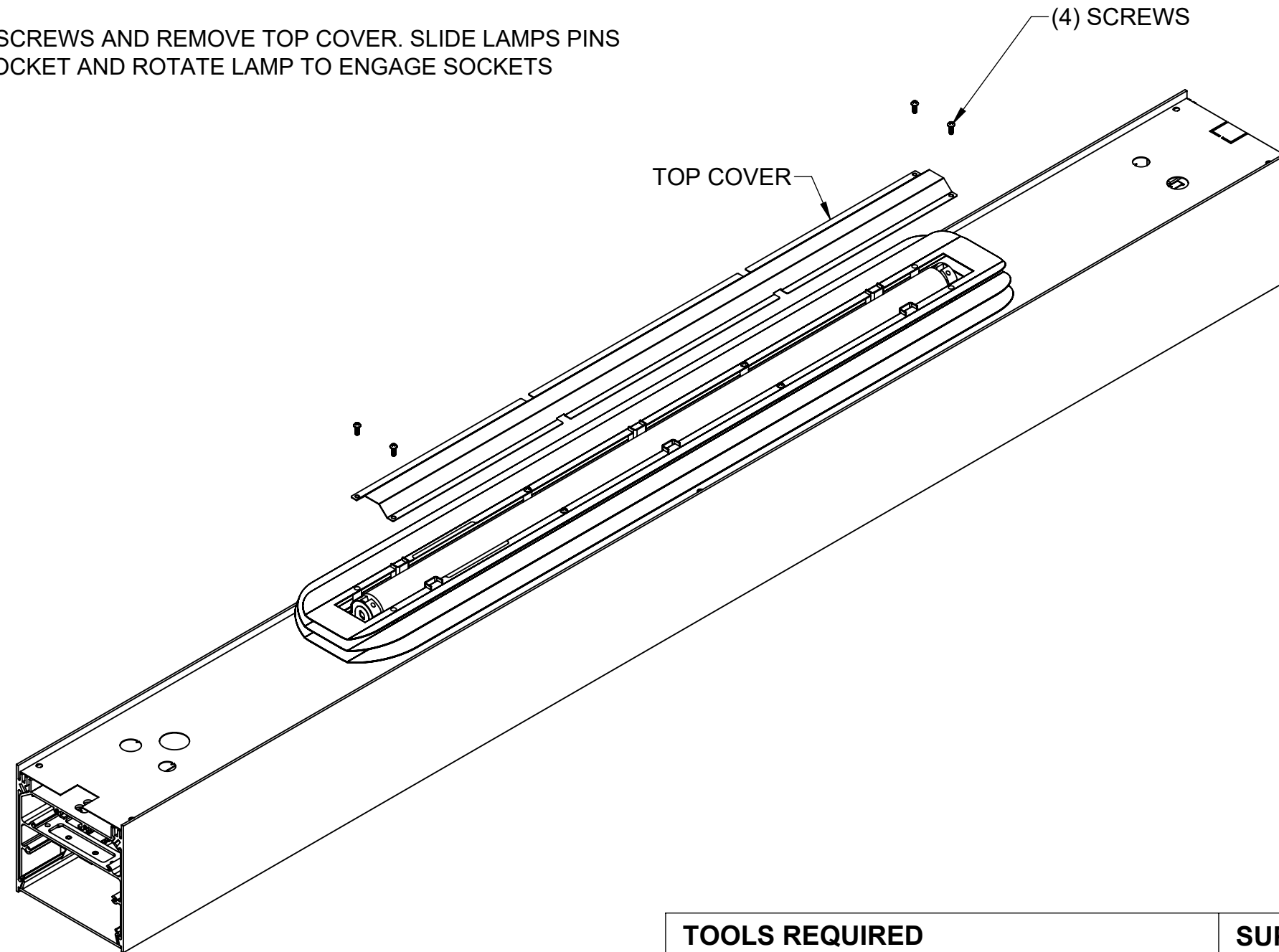
IF INSTALLING ROW OF FIXTURES, ATTACH END CAPS TO EACH END OF ROW.

END CAPS ARE SECURED TO FIXTURE WITH MAGNETS (PREINSTALLED AT FACTORY). POSITION END CAPS SO THEY ARE FLUSH WITH SIDES OF HOUSING.



11

TO INSTALL LAMP: REMOVE (4) SCREWS AND REMOVE TOP COVER. SLIDE LAMP PINS INTO VERTICAL PIN SLOTS IN SOCKET AND ROTATE LAMP TO ENGAGE SOCKETS WITH LAMPS.



TOOLS REQUIRED	SUPPLIED BY INSTALLER
- PHILLIPS SCREWDRIVER	