

IMPORTANT SAFEGUARDS

When using electrical equipment, basic safety precautions should always be followed including the following: P/C 510693-0000

a) Ensure the uvc lamp is powered off prior to servicing

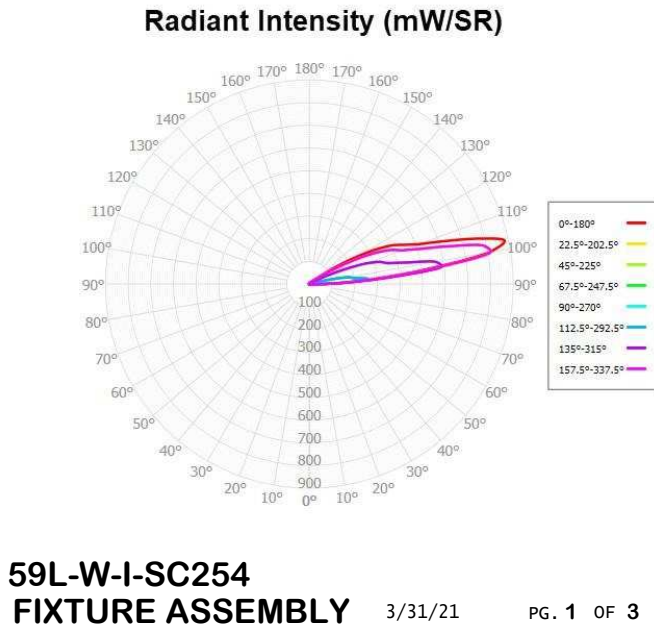
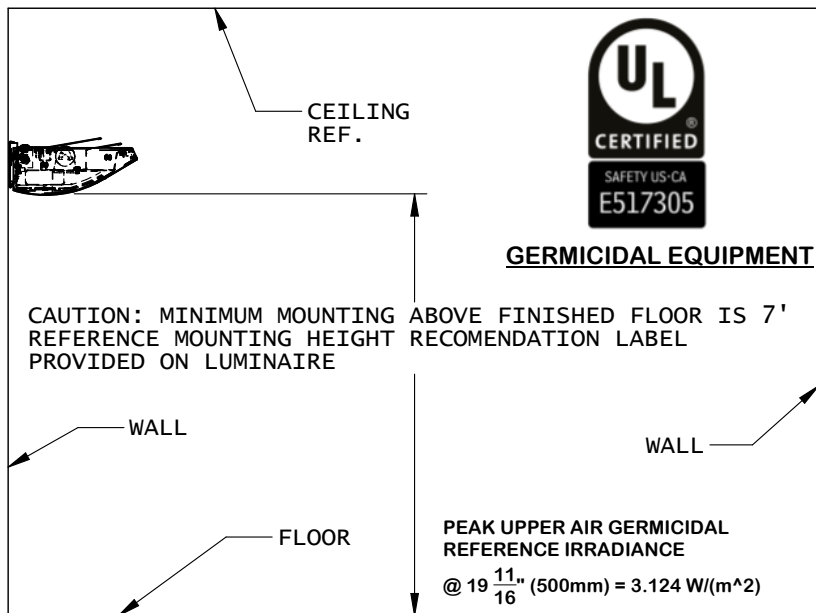
READ AND FOLLOW ALL SAFETY INSTRUCTIONS

- a) This equipment is designed for use with germicidal UV radiation sources and must be installed in compliance with competent technical directions to prevent risk of personal injury from UV radiation .
- b) UV radiation can pose a risk of personal injury. Overexposure can result in damage to eyes and bare skin. To reduce the risk of overexposure this equipment must be installed in accordance with the manufacturer's site planning recommendations. This may include instructions on the relative location of each germicidal system component, the minimum distances between UV-generating devices and other objects or surfaces, and protection from line-of-sight exposure to UV radiation in occupied spaces located above the equipment mounting area (e.g. upper floor balconies, open staircases, etc.)
- c) UV and optical radiation can be reflected by surrounding surfaces such as ceilings and walls. Since the reflective properties of surfaces can vary widely, it should be considered as part of site planning. Follow the manufacturer's recommendations for selecting appropriate ceiling and wall finishes.
- d) IT IS THE RESPONSIBILITY OF THE INSTALLER TO ENSURE THAT PERSONS WILL NOT BE EXPOSED TO EXCESSIVE UV OR OPTICAL RADIATION DURING EQUIPMENT OPERATION. THIS WILL REQUIRE THE INSTALLER TO CONDUCT AN ASSESSMENT OF IRRADIANCE OR ILLUMINANCE LEVELS IN THE SURROUNDING OCCUPIED SPACES PRIOR TO OCCUPANCY.
- e) Equipment should be mounted in locations and at heights where it will not readily be subjected to tampering by unauthorized personnel.
- f) Maintenance and servicing of this UV generating equipment shall be performed by authorized personnel. Service personnel must wear appropriate Personal Protective Equipment (PPE) if the equipment will be in operation during the maintenance or servicing work. Contact the equipment manufacturer for PPE recommendations and guidance. **Ensure that the equipment is powered off prior to servicing.**
- g) When replacing lamps, replace them only with the lamps for which the equipment is marked and intended.
- h) The use of accessory equipment not recommended by the manufacturer may cause an unsafe condition.
- i) Do not use this equipment for other than intended use.

SAVE THESE INSTRUCTIONS

Notes:

1. General personal protective equipment required for servicing electrical luminaires applies.
2. Installation and servicing should be performed by qualified personnel.



INSTALLATION
INSTRUCTIONS

FIXTURE TYPE _____

59L-W-SC254
FIXTURE ASSEMBLY

3/31/21 PG. 2 OF 3

P/C 510693-0000

DO NOT MODIFY OR ALTER THIS PRODUCT IN ANY WAY, OR INSTALL IN ANY FASHION WHICH IS CONTRARY TO THE INSTRUCTIONS CONTAINED HEREIN. IF YOU HAVE ANY QUESTIONS REGARDING THIS PRODUCT OR THE INSTALLATION OF IT, PLEASE CALL LITECONTROL ENGINEERING AT 781-294-0100.

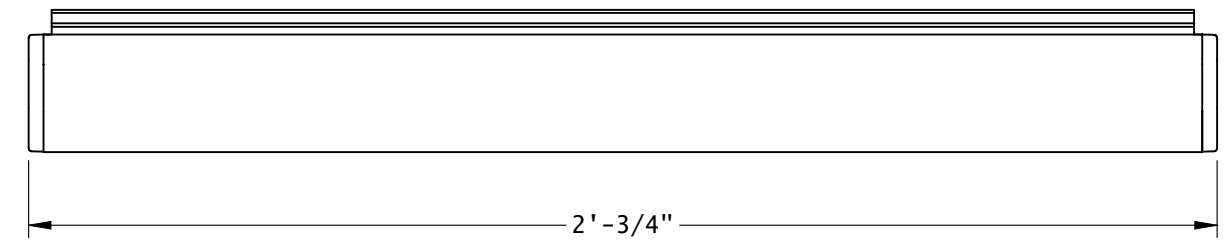
General Notes: Read Instructions completely before starting.

- A. UVC Lamp type is specifically called out on luminaire labeling.
NO SUBSTITUTIONS CAN BE MADE.
- B. Leaving foam wrapping on fixtures until mounting has been completed will help protect finish from damage.
- C. MAINTENANCE: IT IS RECOMMENDED THAT YOU REPLACE THE LAMP ANNUALLY. FOLLOW INSTRUCTIONS 1 & 2 FOR RELAMPING.

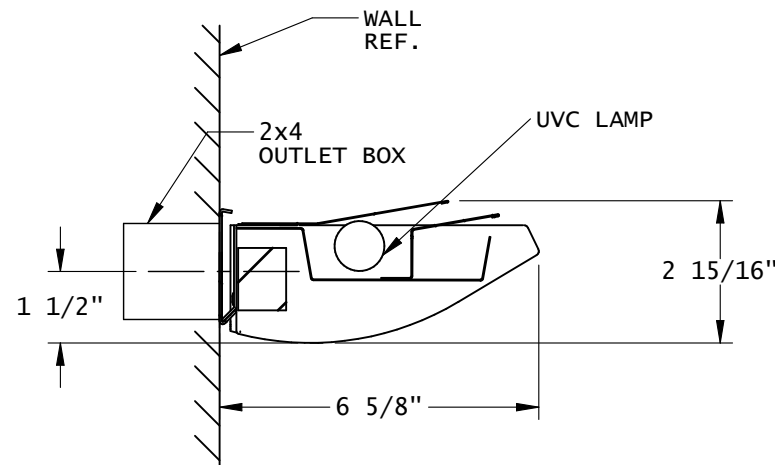
INSTRUCTIONS:

1. Peel back foam wrapping from fixture and loosen screws, remove UVC top cover to expose lamp see view "A"
2. Remove lamp and set aside, see view "B".
3. Remove side screws and remove baffle/UVC tray assembly to access housing mounting locations, see view "C".

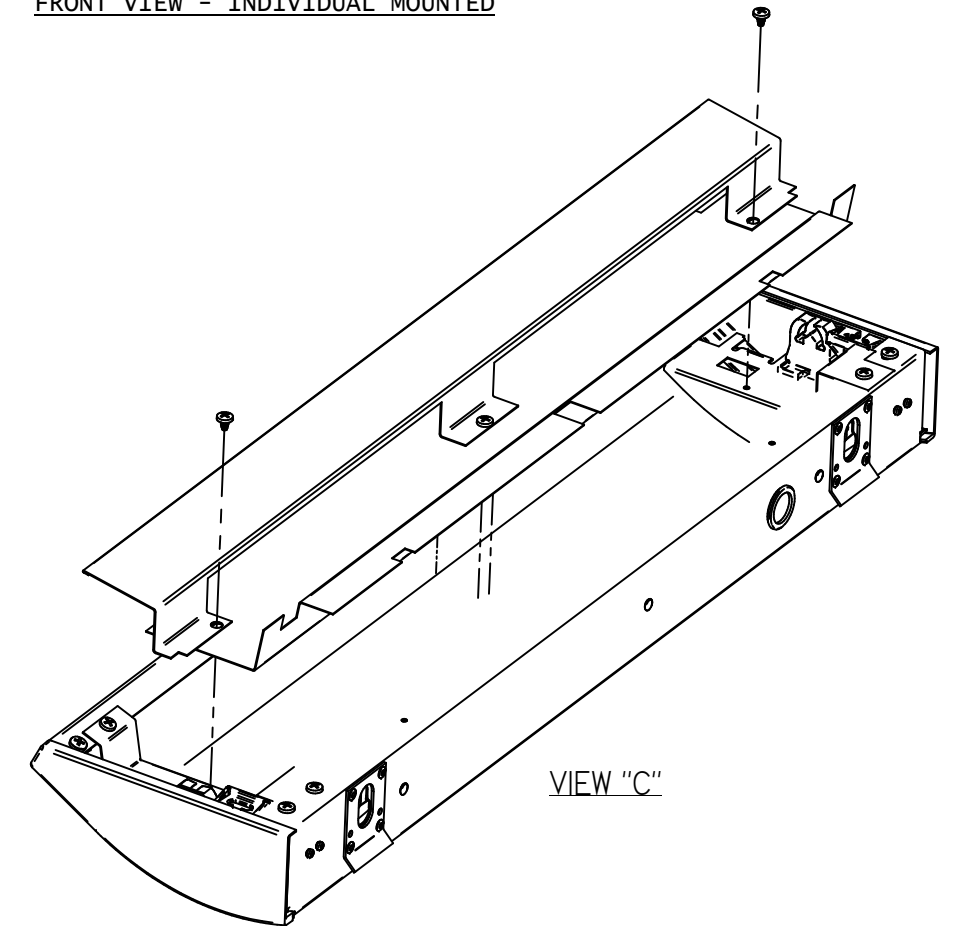
MOUNTING INSTRUCTIONS (CONTINUED PAGE 3)



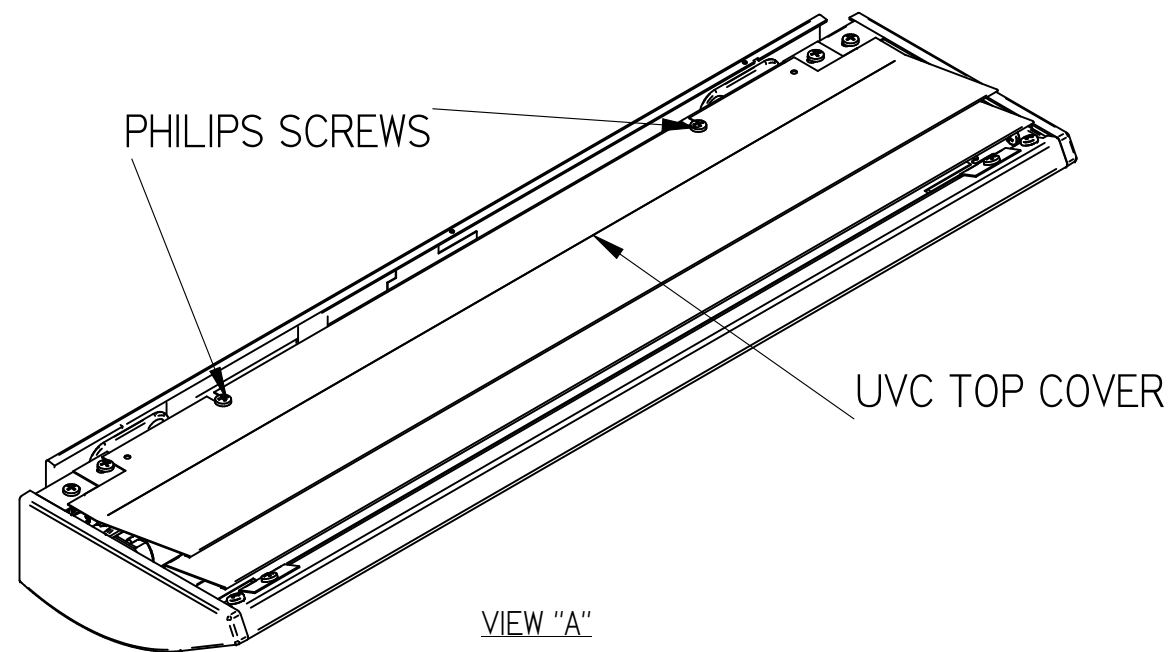
FRONT VIEW - INDIVIDUAL MOUNTED



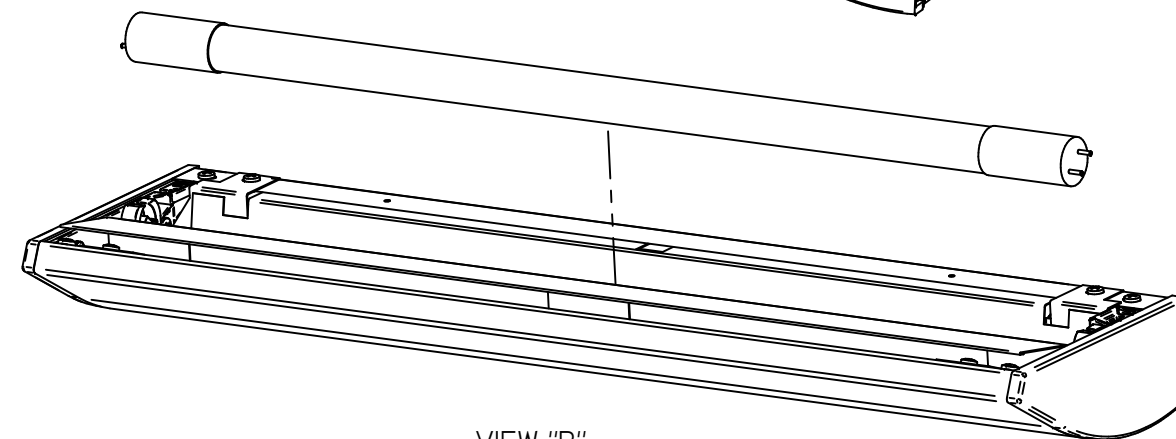
CROSS SECTION



VIEW "C"



VIEW "A"



VIEW "B"

INSTALLATION INSTRUCTIONS

FIXTURE TYPE _____

59L-W-SC254
FIXTURE ASSEMBLY

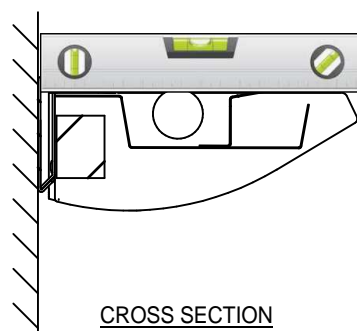
3/31/21 PG. 3 OF 3

P/C 510693-0000

DO NOT MODIFY OR ALTER THIS PRODUCT IN ANY WAY, OR INSTALL IN ANY FASHION WHICH IS CONTRARY TO THE INSTRUCTIONS CONTAINED HEREIN. IF YOU HAVE ANY QUESTIONS REGARDING THIS PRODUCT OR THE INSTALLATION OF IT, PLEASE CALL LITECONTROL ENGINEERING AT 781-294-0100.

1. MOUNTING INDIVIDUAL 2' FIXTURES:

- A) Install bracket to wall using using continuous slots. Ensure bracket is level. Insert stud/nut assembly into hole on embossed slots of mounting bracket and slide to edge of flange. (Detail 1)
- B) Slip cleat into lower V-groove on moounting bracket (1) and push stud through keyhole slot (2). (Detail 2)
CONDUIT FEED OPTION: remove 7/8 bushing and attach coduit at this step.
FOR JBOX MOUNTING: pull wires through 7/8 hole & bushing at this step. Make connections inside ballast compartment.
- C) Level fixtures by adjusting nut on stud at each end of fixture. (Detail 3 & CROSS SECTION)
CRITICAL NOTE: ensure fixture is paralell to finished floor to ensure safe UVC distribution.



E) install ballast cover assembly, lamp and top UVC reflector in reverse order of instructions on page 2.

