

Title

STROBE TYPE MFLA4

(NON-INTRINSICALLY SAFE)

USER MANUAL

Document Number

59-106-12

Issue

02



REVISION CONTROL

Issue	Details	Date	Drawn	Designed	Approved
02	Address and Logo Update	2017.03.23	CW	CW	PC
01	Original issue	2005.05.31	PB	PB	JY

Austdac Pty Ltd
 Unit 1 / 42 Carrington Road
 Castle Hill NSW 2154
 Australia

PO Box 6486
 Baulkham Hills Business Centre
 NSW 2153
 Australia

Phone: + 61 2 8851 5000
 Fax: + 61 2 8851 5001
 Website: www.austdac.com.au

Copyright 2017

This document remains the property of Austdac Pty. Ltd. It is subject to its recall and must not be reproduced in part or whole or its contents divulged to third parties without prior written approval from Austdac Pty Ltd.

TABLE OF CONTENTS

General description.....	3
Ordering information.....	4
Installation and mounting.....	4
User wiring.....	5
Specification	5

PHOTOGRAPHS

Photograph 1 MFLA4-30-XX Strobe with gasket	3
---	---

FIGURES

Figure 1 Host enclosure drilling details.....	4
Figure 2 Strobe mounting details.....	5

TABLES

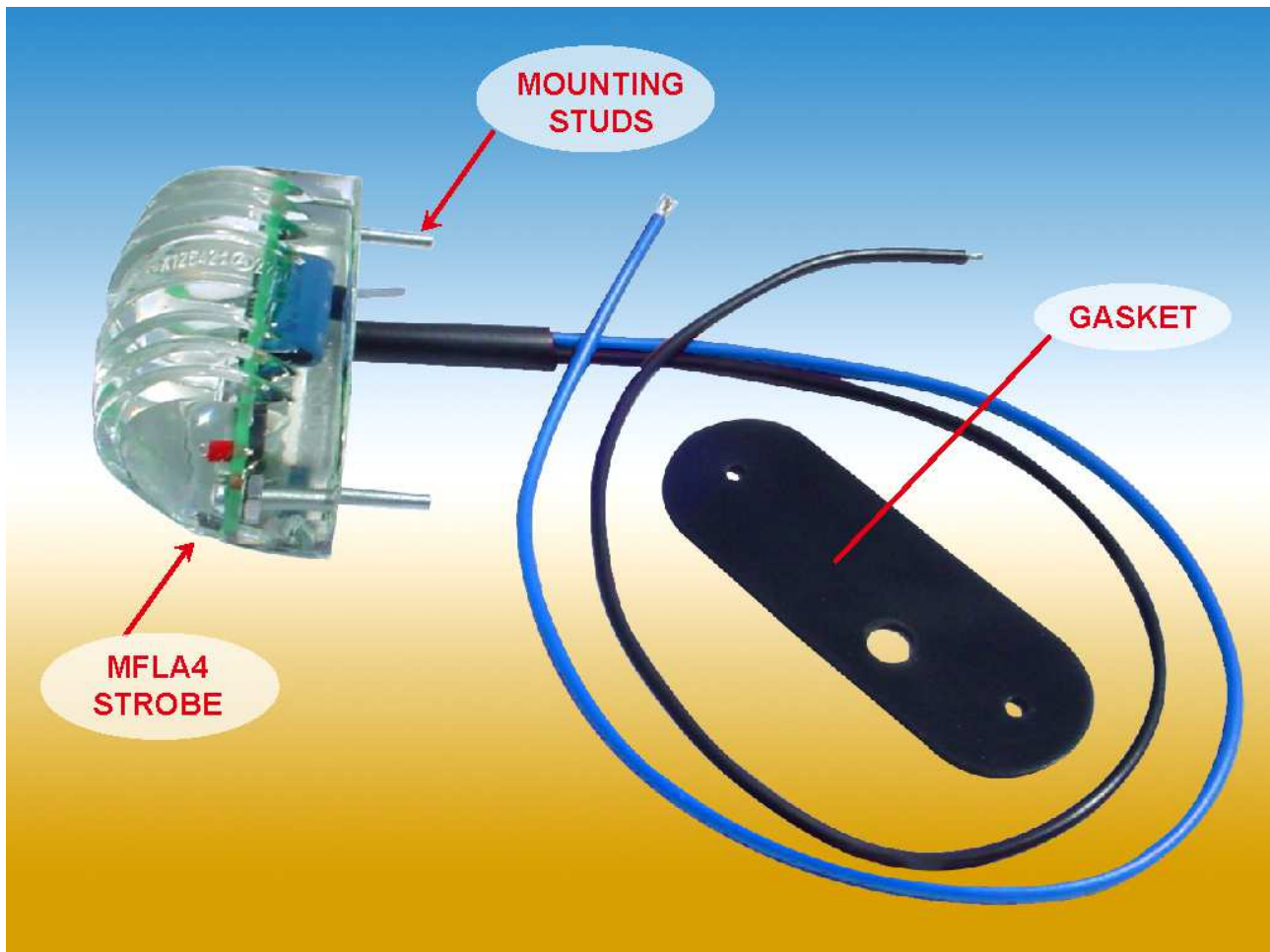
Table 1 Strobe wire colour coding	5
---	---

GENERAL DESCRIPTION

The Strobe type MFLA4 is a small LED based self-flashing strobe designed for general alarm annunciation applications such as overland conveyors. These applications include but are not limited to, visual warning alarms, visual pre-start alarms, out of range process alarms and enunciators.

The MFLA4 is completely encapsulated within the lens body providing significant improvements in ingress protection and impact resistance over previous models provided by Austdac. The Strobe is available in the five colours, red, green, yellow, blue and white. This allows the user to select a colour best suited for the installation. The MFLA4 is primarily designed for low power applications as it typically only draws 15mA.

The unit may be mounted on any free surface, such as a sheet metal enclosure, using the two M3 mounting studs. A gasket is supplied with the MFLA4 to provide up to IP65 ingress protection of the host enclosure. The strobe is easy to mount, as it only requires three small holes, two for mounting and one for leads, in the host enclosure.

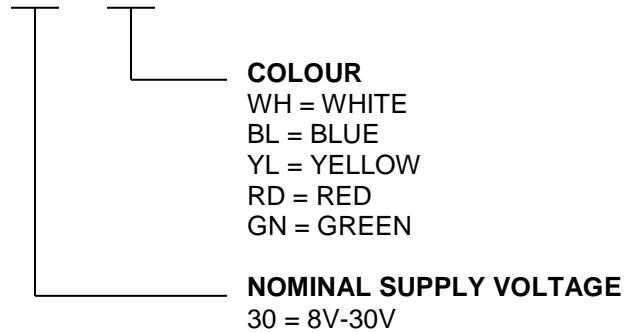


Photograph 1. Strobe with gasket

ORDERING INFORMATION

The MFLA4 is available in the following nominal supply voltages and colours

MFLA4 – SS – CC



INSTALLATION AND MOUNTING

The MFLA4 strobe is designed to be mounted on a host enclosure or equipment with the flying termination leads and mounting studs entering into the host via holes within the host enclosure wall. A gasket is provided to fit between the host enclosure and the base of the strobe. The strobe is designed to be mounted without protection bars but if the strobe is to be mounted where it may be subject to direct or glancing impact Austdac recommends the use of protection bars or grills.

The strobe type MFLA4 requires three holes in the host enclosure, two for mounting and one for the entry of the strobe power leads. Figure 1 below shows the drilling detail for the host enclosure. Note that if two or more strobes are to be mounted adjacent to one another the minimum pitch is 40mm.

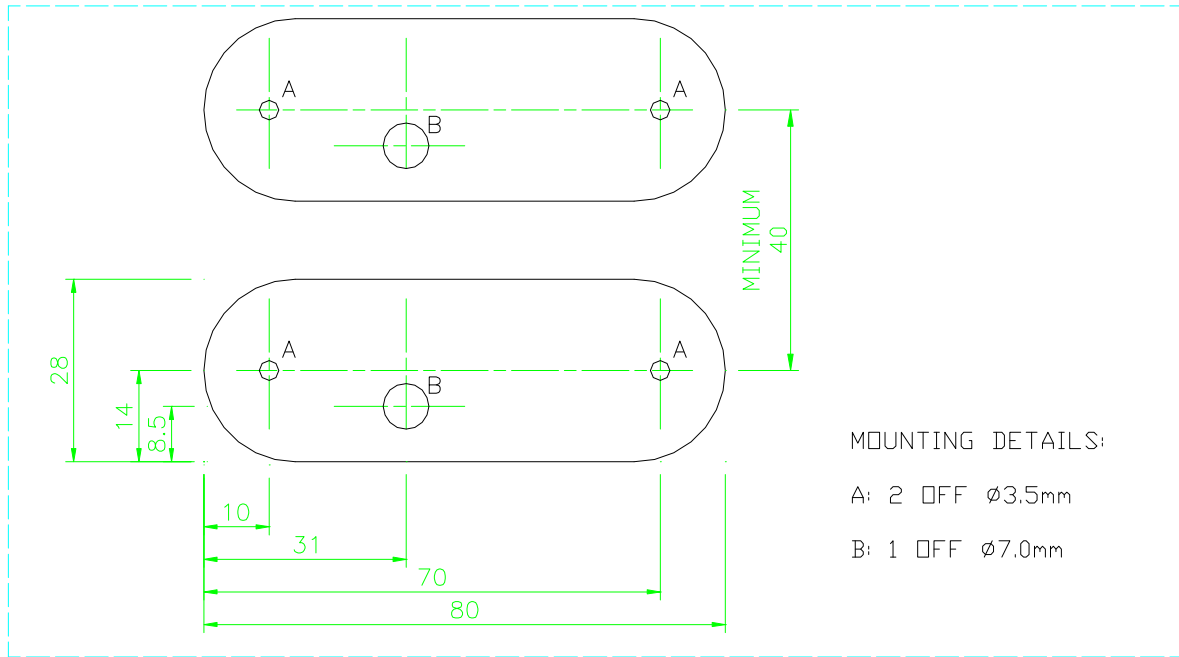


Figure 1. Host enclosure drilling details.

Figure 2 below shows the mounting details of the MFLA4 strobe, gasket and fixing screws.

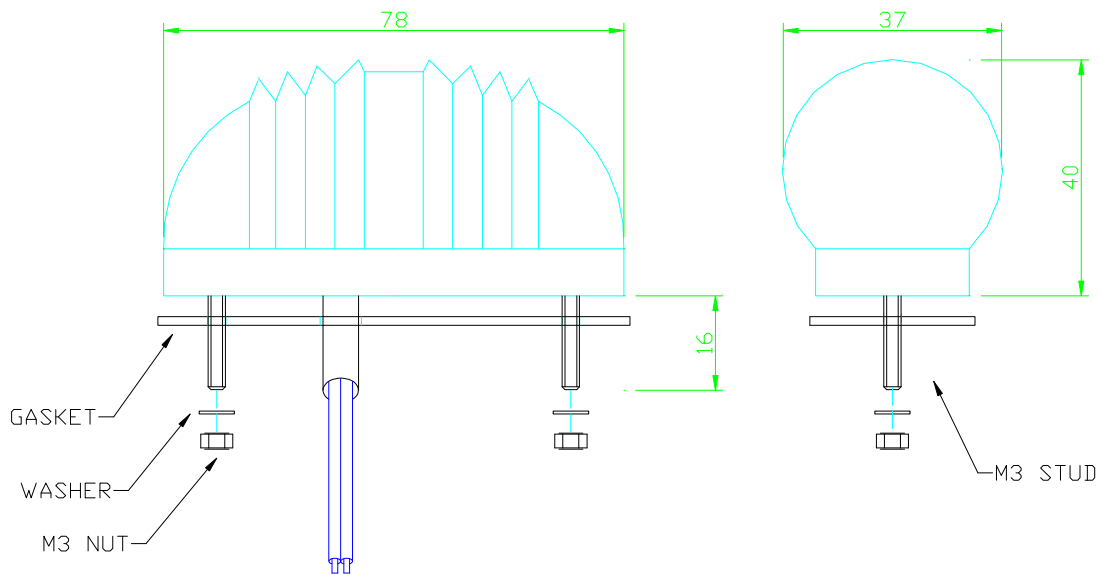


Figure 2. Strobe mounting details.



USER WIRING

The wiring connections to the type MFLA4 strobe is via 400mm flying leads that exit the encapsulation at the base of the strobe. The two wires are 24/0.2mm stranded conductors. The colouring of the wires indicates the operating voltage range of the strobe. Table 1 below shows the colour coding of the strobe flying leads.

STROBE TYPE MFLA4 USER WIRING COLOUR CODING DETAILS		
MODEL NUMBER	POSITIVE LEAD COLOUR	NEGATIVE LEAD COLOUR
MFLA4-30-XX	BLUE	BLACK

Table 1. MFLA4 Strobe wire colour coding.

SPECIFICATIONS

Nominal supply voltage MFLA4-30-XX.....	8V – 30VDC
Current consumption MFLA4-30-XX	12mA
Flash rate	~1Hz
Colour	Red, Green, Yellow, Blue and White
Luminous intensity red.....	> 12,000 mcd
Luminous intensity green.....	> 18,000 mcd
Luminous intensity yellow	> 12,000 mcd
Luminous intensity blue	> 5,400 mcd
Luminous intensity white.....	> 20,000 mcd
Terminations	Flying lead
Lead length	400mm
Lead conductor	0.75mm ² , 24/0.2 strands
Size	42mm (H) x 78mm (L) x 38mm (W)
Mounting	2 off M3 studs supplied with plain nuts and internal star washers
Mounting centres	60mm
Maximum mounting panel thickness	5mm
Mounting ingress protection.....	IP56
Mass	100g