



**Kit should contain:**

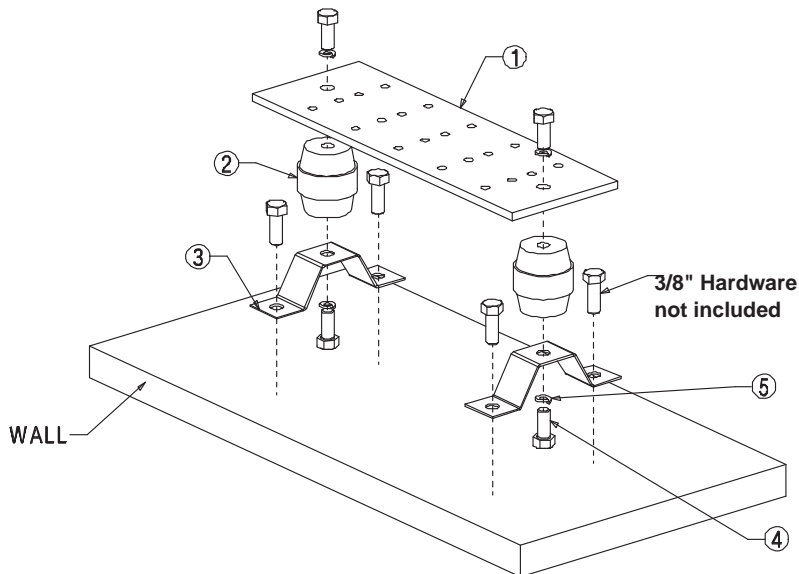
Item	Description	Qty
1	Copper Bus-Bar	1
2	Standoff Insulators	2
3	Standoff Brackets	2
4	3/8-16 x 5/8 Hex Head Bolt	4
5	3/8 Lock Washer	4

**Installation Requirements:**

ASSEMBLE BUSBAR, INSULATORS, AND MOUNTING BRACKETS (AS SHOWN BELOW) WITH SUPPLIED MOUNTING HARDWARE.

**FASTENING CONDUCTORS:**

1. CLEAN BUSBAR WITH A WIRE BRUSH OR ABRASIVE PAD.
2. APPLY PENETROX TO BUSBAR. USE PENETROX-A FOR COPPER TO ALUMINUM BONDING APPLICATIONS OR PENETROX-E FOR COPPER TO COPPER BONDING APPLICATIONS.
3. APPLY 7 FT-LBS. OF TORQUE TO FASTENING HARDWARE.



**Kit should contain:**

Item	Description	Qty
1	Copper Bus-Bar	1
2	Standoff Insulators	2
3	Standoff Brackets	2
4	3/8-16 x 5/8 Hex Head Bolt	4
5	3/8 Lock Washer	4

**Installation Requirements:**

ASSEMBLE BUSBAR, INSULATORS, AND MOUNTING BRACKETS (AS SHOWN BELOW) WITH SUPPLIED MOUNTING HARDWARE.

**FASTENING CONDUCTORS:**

1. CLEAN BUSBAR WITH A WIRE BRUSH OR ABRASIVE PAD.
2. APPLY PENETROX TO BUSBAR. USE PENETROX-A FOR COPPER TO ALUMINUM BONDING APPLICATIONS OR PENETROX-E FOR COPPER TO COPPER BONDING APPLICATIONS.
3. APPLY 7 FT-LBS. OF TORQUE TO FASTENING HARDWARE.

