



Hubbell Premise Wiring Instruction Sheet

RELAY RACK

Control No. 77854001

Rev. E

Date 08/07/01

This instruction sheet applies to the following Hubbell Premise Wiring Part Numbers:

19" RELAY RACKS

HPW84RR19	HPW48RR19	HPW66RR	HPW90RR19	HPW96RR19
HPW84RR19ML	HPW48RR19ML	HPW66RRML	HPW90RR19ML	HPW96RR19ML

23" RELAY RACKS

HPW48RR23	HPW84RR23	HPW90RR23	HPW96RR23
HPW48RR23ML	HPW84RR23ML		HPW96RR23ML

PARTS LIST:

Item #	Description	Qty
1	Vertical Upright Channel	2
2	Base Angle	2
3	Top Angle	2
4	3/8-16 x 1" Hex Head bolt	12
5	3/8-16 Lock Washer	12
6	3/8-16 Hex Nut	12

NOTE: All appropriate hardware and piece parts have been carefully packed at the factory. Prior to discarding any packaging, verify that you have located all items from the parts list. Hardware and components may be nested inside cardboard spacers or taped or stapled to inner carton members.

TOOLS REQUIRED:

9/16" Socket or Wrench
A Level or Carpenter's Square

INSTRUCTIONS:

STEP 1: Install top angles to vertical upright channels (see Fig. 1).

- Lay vertical upright channels on edge so holes face you and the floor. Be sure open sides of upright channels face each other.
- Align holes in top angle with corresponding holes in vertical uprights. Formed leg of top angle should be facing toward you.
- Install 2 hex head bolts, lock washers and hex nuts. Finger tighten only.

STEP 2: Install base angles to vertical upright channels (see Fig. 2).

- Leaving vertical upright channels on edge, align holes in base with corresponding holes in each upright channel. Long leg of base should be facing you.
- Install 4 hex head bolts, lock washers and hex nuts. Finger tighten only.
- Turn vertical upright assembly over (rotate 180 degrees) and repeat steps A and B. Finger tighten only.

STEP 3: Final tightening (see Fig. 3).

- Stand your MOD-U-FRAME upright.
- Square unit using a level or a carpenter's square.
- Tighten all bolts using socket or wrench.

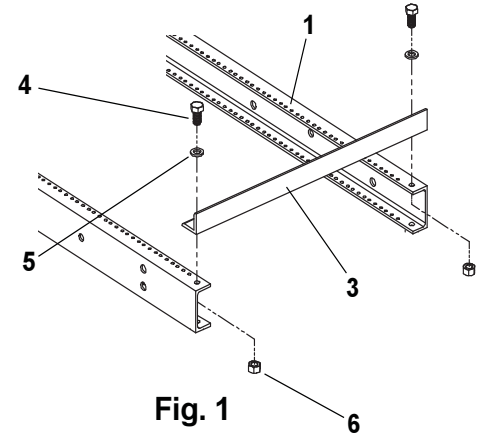


Fig. 1

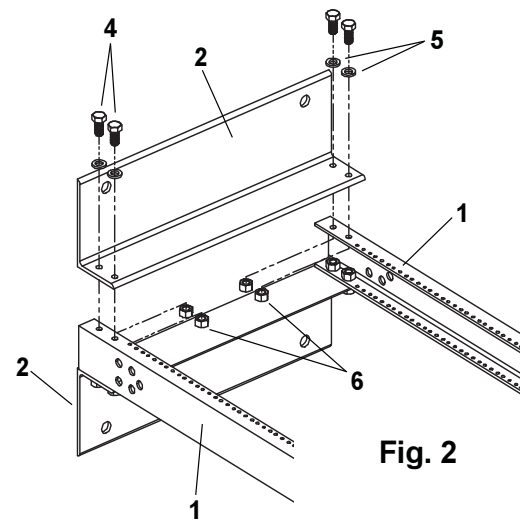


Fig. 2

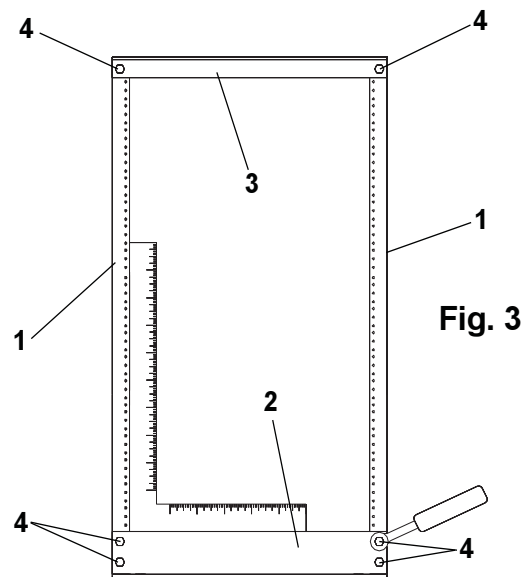


Fig. 3