

**INSTALLATION INSTRUCTIONS**

FIXTURE TYPE \_\_\_\_\_

**SUPPORT RAIL WALLSLOT 2000**

P/C **510573-3000**

PG. 1 OF 3

DO NOT MODIFY OR ALTER THIS PRODUCT IN ANY WAY, OR INSTALL IN ANY FASHION WHICH IS CONTRARY TO THE INSTRUCTIONS CONTAINED HEREIN. IF YOU HAVE ANY QUESTIONS REGARDING THIS PRODUCT OR THE INSTALLATION OF IT, PLEASE CALL LITECONTROL ENGINEERING AT 781-294-0100.

**REFER TO PAGE 2 FOR 8400 SERIES FIXTURES, PAGE 3 FOR 2100 SERIES.**

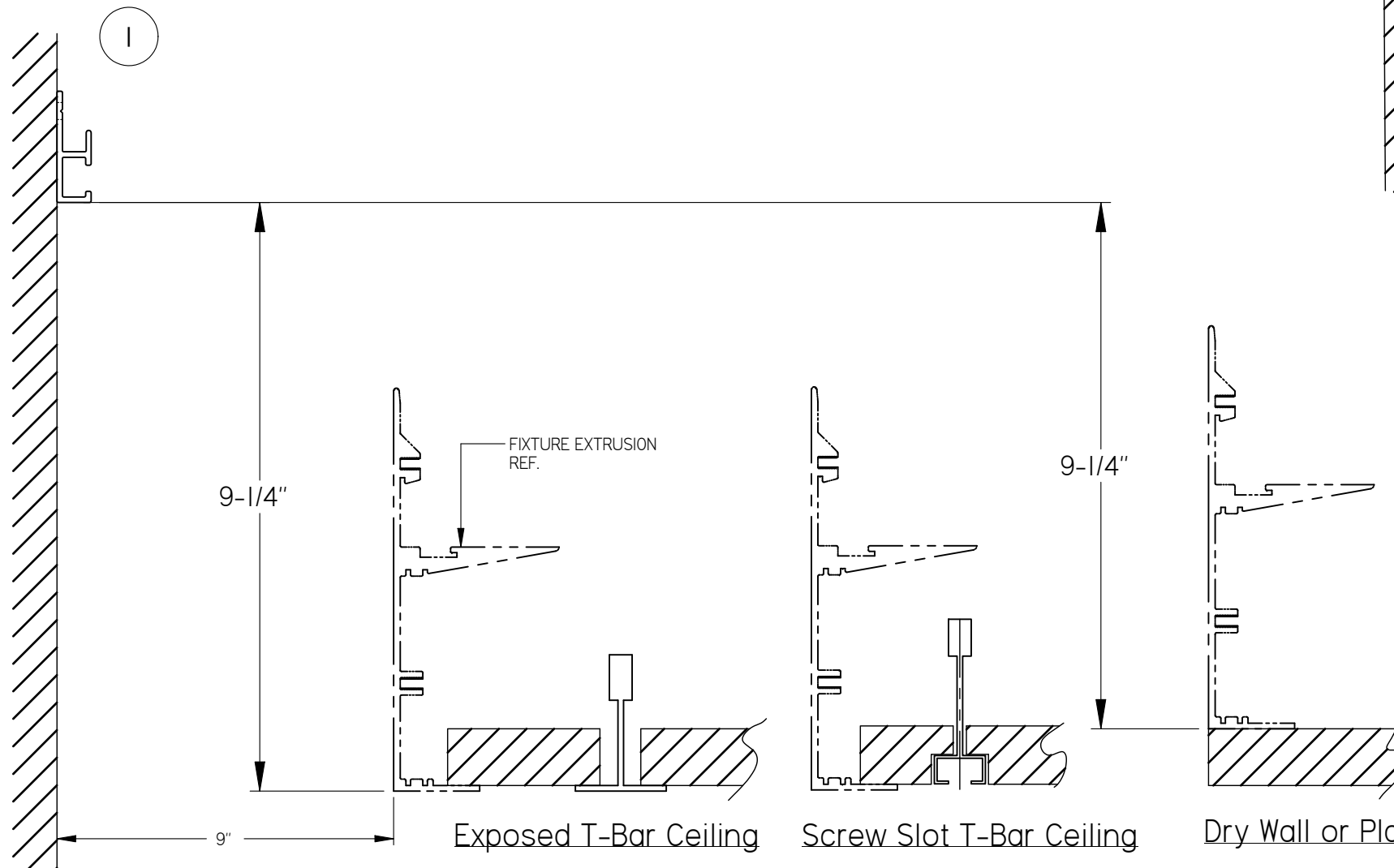
**NOTES: PRIOR TO STARTING:**

- A. WALL SURFACE SHOULD BE FINISHED A MINIMUM OF 11" ABOVE CEILING.
- B. SUPPORT RAILS ARE SHIPPED IN 96" LENGTHS: SAWCUT TO SUIT FIELD CONDITIONS. SPLINE KEYS ARE SHIPPED INSTALLED IN RAIL.

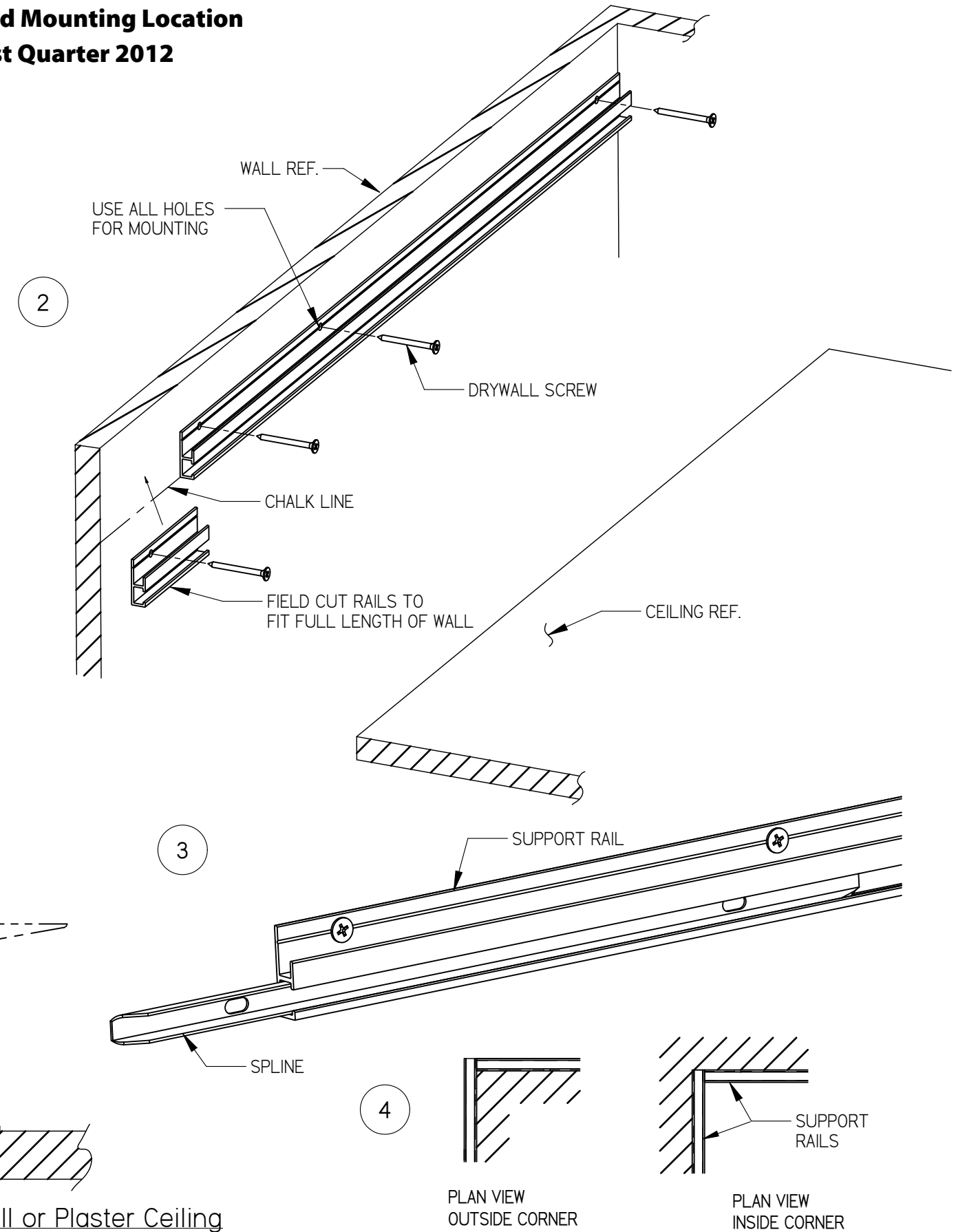
**INSTRUCTIONS:**

**IMPORTANT: CORRECT LOCATION IS BASED ON CEILING TYPE BEING USED. SEE BELOW**

1. CHALK A LEVEL LINE 9-1/4" ABOVE CEILING TYPE ALONG FULL LENGTH OF WALL FOR POSITIONING THE BOTTOM EDGE OF THE SUPPORT RAIL.
2. PLACE BOTTOM EDGE OF SUPPORT RAIL ON CHALK LINE AND FASTEN TO WALL WITH DRYWALL SCREWS.
3. MOUNT SUPPORT RAILS TO WALL, INSERTING SPLINE KEYS BETWEEN RAIL ENDS AS EACH LENGTH IS ADDED. SHIM BEHIND SUPPORT RAILS WHEN NECESSARY TO FORM A CONTINUOUS STRAIGHT RAIL.
4. BUTT RAIL TO RAIL AT CORNERS.



**Revised Mounting Location as of 1st Quarter 2012**



Refer to Wallsot 2000 Pre-Installation Manual for ceiling interface

**LITECONTROL**

100 HAWKS AVENUE - HANSON MA 02341, (781-294-0100) [www.litecontrol.com](http://www.litecontrol.com)

**INSTALLATION  
INSTRUCTIONS**

FIXTURE TYPE \_\_\_\_\_

**SUPPORT RAIL  
WALLSLOT 8400**

P/C **510573-3000**

PG. 2 OF 3

DO NOT MODIFY OR ALTER THIS PRODUCT IN ANY WAY, OR INSTALL IN ANY FASHION WHICH IS CONTRARY TO THE INSTRUCTIONS CONTAINED HEREIN.  
IF YOU HAVE ANY QUESTIONS REGARDING THIS PRODUCT OR THE INSTALLATION OF IT, PLEASE CALL LITECONTROL ENGINEERING AT 781-294-0100.

**REFER TO PAGE 1 FOR 2000 SERIES FIXTURES, PAGE 3 FOR 2100 SERIES.**

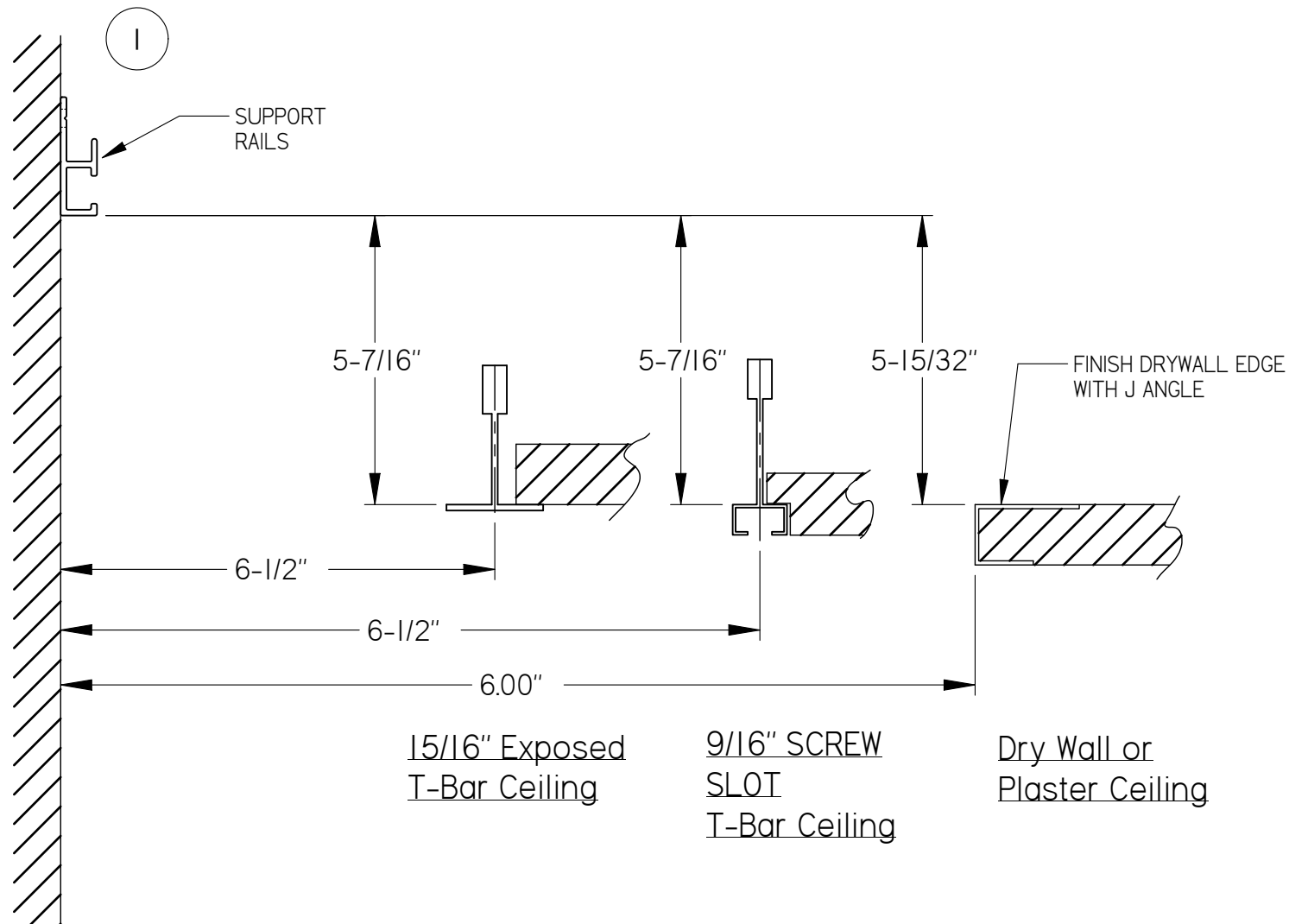
**NOTES: PRIOR TO STARTING**

- A. WALL SURFACE SHOULD BE FINISHED A MINIMUM OF 7" ABOVE CEILING.
- B. SUPPORT RAILS ARE SHIPPED IN 96" LENGTHS: SAWCUT TO SUIT FIELD CONDITIONS. SPLINES ARE SHIPPED INSTALLED IN RAIL.

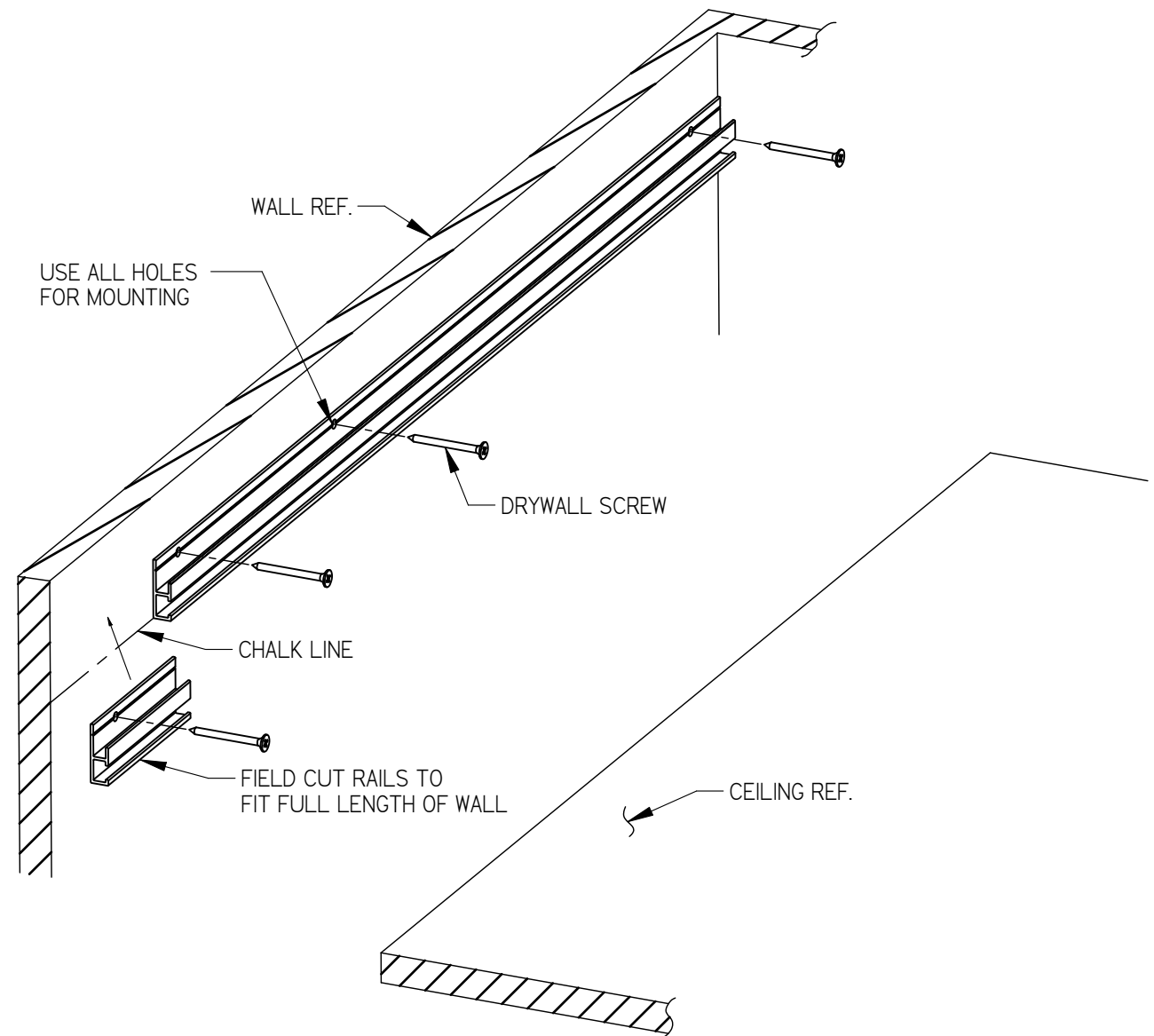
**INSTRUCTIONS:**

**IMPORTANT: CORRECT LOCATION IS BASED ON CEILING TYPE BEING USED. SEE BELOW**

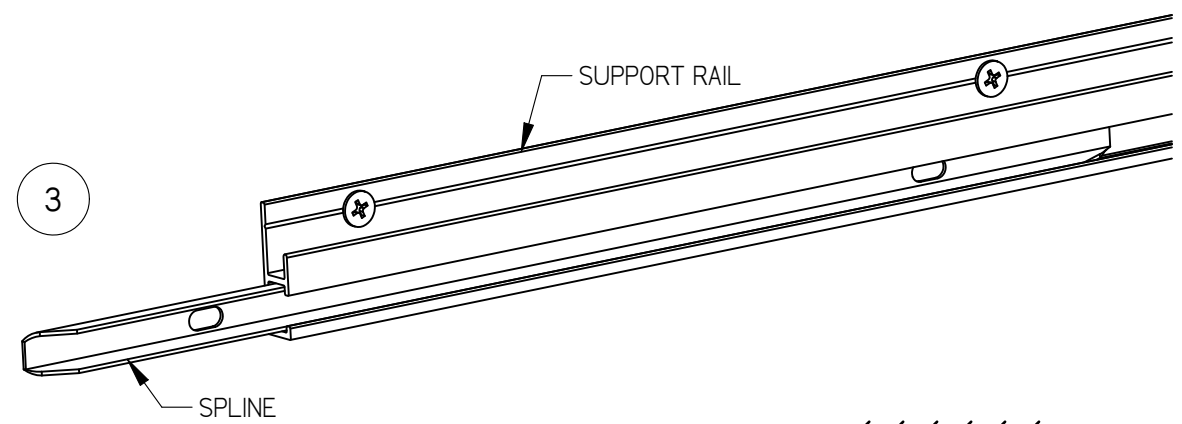
1. CHALK A LEVEL LINE ABOVE CEILING ALONG FULL LENGTH OF WALL FOR POSITIONING THE BOTTOM EDGE OF THE SUPPORT RAIL. SEE BELOW FOR DIMENSION.
2. PLACE BOTTOM EDGE OF SUPPORT RAIL ON CHALK LINE AND FASTEN TO WALL WITH DRYWALL SCREWS.
3. MOUNT SUPPORT RAILS TO WALL, INSERTING SPLINE KEYS BETWEEN RAIL ENDS AS EACH LENGTH IS ADDED. SHIM BEHIND SUPPORT RAILS WHEN NECESSARY TO FORM A CONTINUOUS STRAIGHT RAIL.
4. BUTT RAIL TO RAIL AT CORNERS.



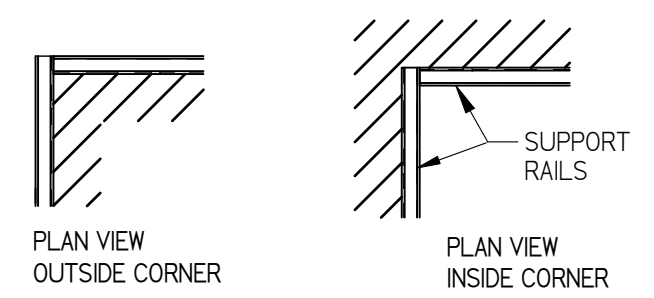
2



3



4



**INSTALLATION  
INSTRUCTIONS**

FIXTURE TYPE \_\_\_\_\_

**SUPPORT RAIL  
WALLSLOT 2100**

P/C **510573-3000**

PG. 3 OF 3

DO NOT MODIFY OR ALTER THIS PRODUCT IN ANY WAY, OR INSTALL IN ANY FASHION WHICH IS CONTRARY TO THE INSTRUCTIONS CONTAINED HEREIN. IF YOU HAVE ANY QUESTIONS REGARDING THIS PRODUCT OR THE INSTALLATION OF IT, PLEASE CALL LITECONTROL ENGINEERING AT 781-294-0100.

**REFER TO PAGE 1 FOR 2000 SERIES FIXTURES, PAGE 2 FOR 8400 SERIES.**

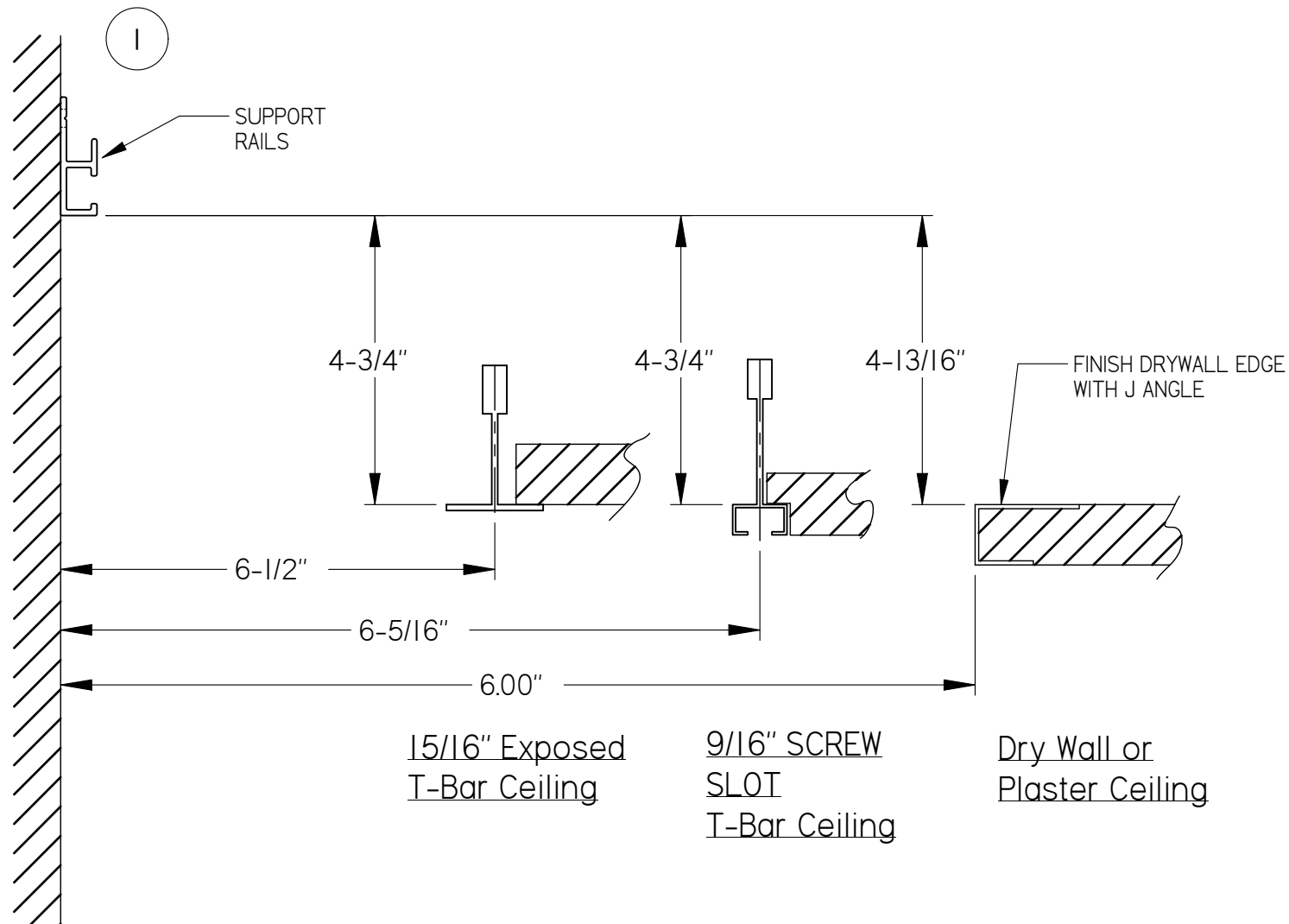
**NOTES: PRIOR TO STARTING**

- A. WALL SURFACE SHOULD BE FINISHED A MINIMUM OF 5" ABOVE CEILING.
- B. SUPPORT RAILS ARE SHIPPED IN 96" LENGTHS: SAWCUT TO SUIT FIELD CONDITIONS. SPLINE KEYS ARE SHIPPED INSTALLED IN RAIL.

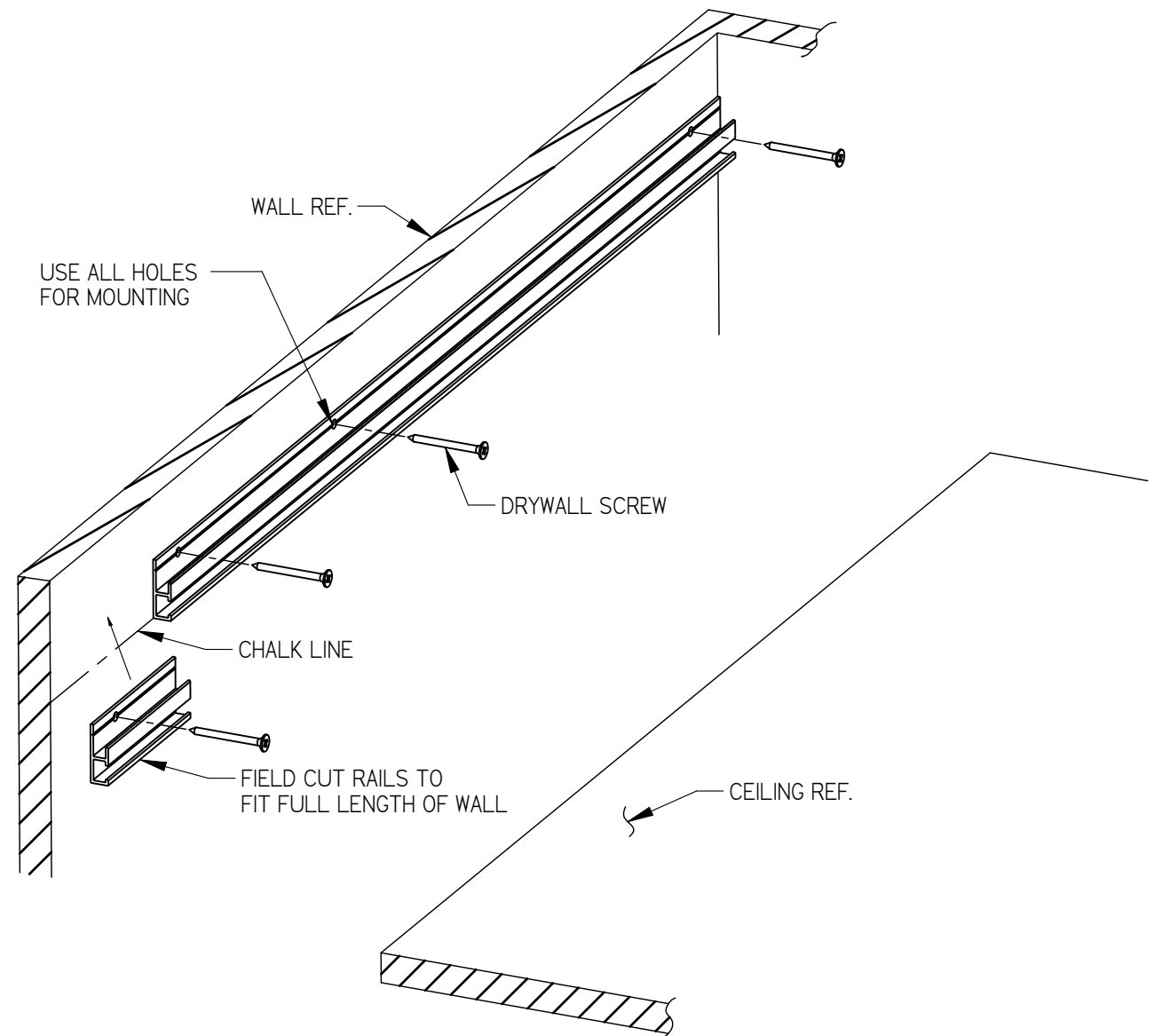
**INSTRUCTIONS:**

**IMPORTANT: CORRECT LOCATION IS BASED ON CEILING TYPE BEING USED. SEE BELOW**

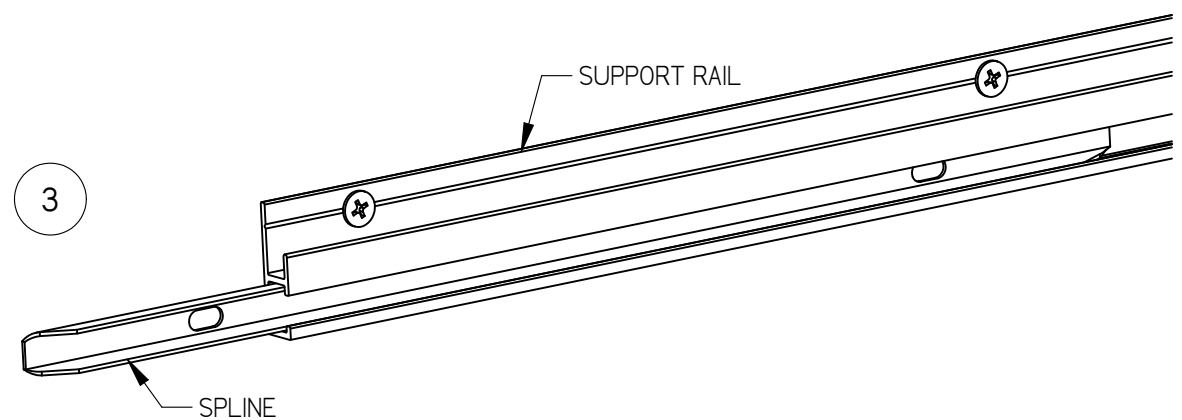
1. CHALK A LEVEL LINE ABOVE CEILING ALONG FULL LENGTH OF WALL FOR POSITIONING THE BOTTOM EDGE OF THE SUPPORT RAIL. SEE BELOW FOR DIMENSION.
2. PLACE BOTTOM EDGE OF SUPPORT RAIL ON CHALK LINE AND FASTEN TO WALL WITH DRYWALL SCREWS.
3. MOUNT SUPPORT RAILS TO WALL, INSERTING SPLINE KEYS BETWEEN RAIL ENDS AS EACH LENGTH IS ADDED. SHIM BEHIND SUPPORT RAILS WHEN NECESSARY TO FORM A CONTINUOUS STRAIGHT RAIL.
4. BUTT RAIL TO RAIL AT CORNERS.



2



3



4

