

# INSTALLATION INSTRUCTIONS FOR FLEX CORD/HOOK/LOOP ASSEMBLY CH, BL, SW, LW, ML

## WARNINGS

- Install, operate, and maintain to meet all applicable codes.
- Handle and secure fixture(s) so they cannot fall.

## CH – INSTALLATION OF FLEX CORD (FIG. 1)

### ITEMS NEEDED FOR INSTALLATION:

ITEM NO	DESCRIPTION	QTY
1	CORD, ACS, FLEX	1
2	HOOK, AND LOOP, DIECAST CI	1
3	WASHER, .43" ID, .91" OD, CORDGRIP	3
4	GSKT, RUB BUSHG, 1/8, .41 ID, .93 OD	1
5	CORD-GRIP, 16/3, .34D/.41D, #23	1
6	BRKT, HOOK CLOSURE, HOOK/LOOP	1
7	SCR, 8-32X1/2, HWSD, ROLK, STL, MGD	1

1. Push flex cord (1) through the thru-hole of the die cast hook (2).
2. After the cord end passes through the cast hook, a cord-grip washer (3), a rubber gasket (4), and a second washer (3) are to be placed on the cord.
3. The flex cord should now be fed through the opening in the top of the Slick-On casting.
4. A third cord-grip washer (3) should now be placed on the cord.
5. The plastic cord-grip (5) should now be squeezed onto the cord (placed 3/8" from the end of the cord jacket). The cord grip is to be clamped to at least one tooth from being fully engaged.
6. Attach the hook closure bracket (6) to the die cast hook, using the #8 screw (7) as shown.
7. Align the cord-grip washers and the rubber gasket with the hole in the Slick-On casting and thread the die cast hook until tight.
8. The #10 screw inside the Slick-On casting can be tightened against the hook to prevent it from backing out of the threaded hole.
9. Wire connections made by joining like-colored wires.

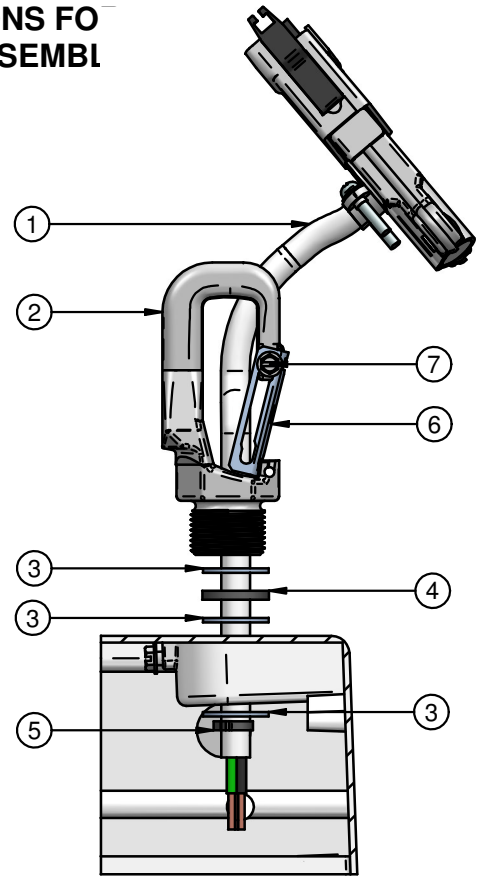


FIGURE 1

## BL – INSTALLATION OF FLEX CORD (FIG. 2)

### ITEMS NEEDED FOR INSTALLATION:

ITEM NO	DESCRIPTION	QTY
1	CORD, ACS, FLEX	1
2	HOOK, AND LOOP, DIECAST CI	1
3	CORD-GRIP, GOTCHA RING, 16/3	1
4	GSKT, RUB BUSHG, 1/8, .41 ID, .93 OD	1
5	WASHER, .43" ID, .91" OD, CORDGRIP	1
6	BRKT, HOOK CLOSURE, HOOK/LOOP	1
7	SCR, 8-32X1/2, HWSD, ROLK, STL, MGD	1
8	WIRE-NUT, TWIST-ON, SELF-INSULAT	1

1. Push flex cord (1) through the thru-hole of the die cast hook (2).
2. After the cord end passes through the cast hook, a cord-grip gotcha ring (3), a rubber gasket (4), and a cord-grip washer (3) are to be placed on the cord.
3. The flex cord should now be fed through the opening in the top of the Quick-On cover assembly.

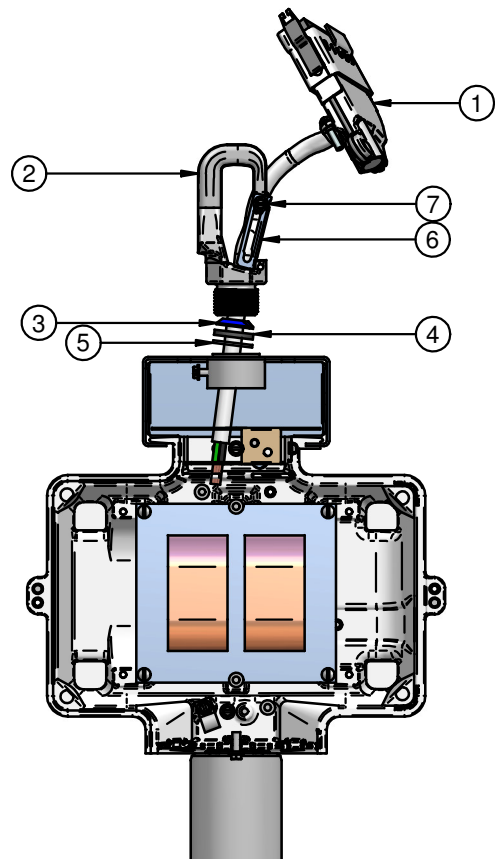


FIGURE 2



**Hubbell Lighting, Inc.**  
A subsidiary of Hubbell Incorporated

Industrial Lighting 101 Corporate Drive, Suite L • Spartanburg, SC 29303 Phone: (864) 599-6000 Fax: (864) 699-1337

Doc. No. 93006662  
Revision 11/06

4. Attach the hook closure bracket (6) to the die cast hook, using the #8 screw (7) as shown.
5. Align the cord-grip washer, the rubber gasket, and the gotcha ring with the hole in the Quick-On cover and thread the die cast hook until tight.
6. The #8 screw inside the Quick-On cover assembly can be tightened against the hook to prevent it from backing out of the threaded hole.
7. Wire connections made by joining like-colored wires, using wire nut (8).

### SW, PENDANT – INSTALLATION OF FLEX CORD (FIG. 3)

#### ITEMS NEEDED FOR INSTALLATION:

ITEM NO	DESCRIPTION	QTY
1	CORD, ACS, FLEX	1
2	HOOK, AND LOOP, DIECAST CI	1
3	WASHER, .43" ID, .91" OD, CORDGRIP	2
4	GSKT, RUB BUSHG, 1/8, .43 ID, .93 OD	1
5	BRKT, HOOK CLOSURE, HOOK/LOOP	1
6	SCR, 8-32X1/2, HWSD, ROLK, STL, MGD	1
7	WIRE, 18 GA, 150C, WHITE, 18, 1/2 & 1/2	1
8	WIRE, 18 GA, 150C, BLK, 18, 1/2 & 1/2	1
9	WIRE, 18 GA, GRN, W/RING, 18 IN	1
10	INSTSHT, HOOK-AND-LOOP, TRI-LING	1

1. Push flex cord (1) through the thru-hole of the die cast hook (2).
2. After the cord end passes through the cast hook, a cord-grip washer (3), a rubber gasket (4), and a second washer (3) are to be placed on the cord.
3. The flex cord should now be fed through the opening in the top of the SW pendant mounting assembly.
4. Attach the hook closure bracket (5) to the die cast hook, using the #8 screw (6) as shown.
5. Align the cord-grip washers and the rubber gasket with the hole in the pendant mounting bracket and thread the die cast hook until tight.
6. Wire connections made by joining like-colored wires (7, 8, and 9).

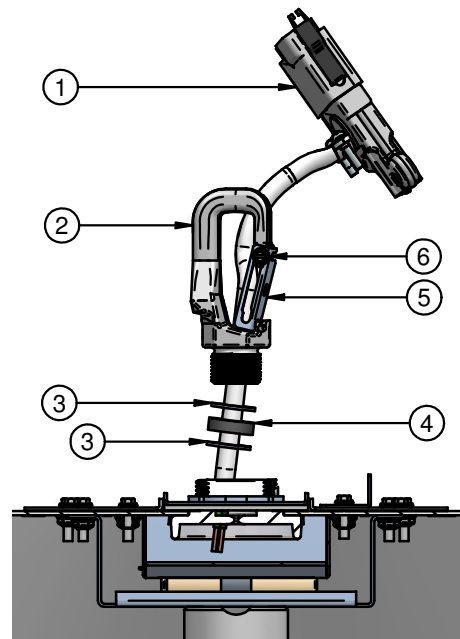


FIGURE 3

### LW – INSTALLATION OF FLEX CORD (FIG. 4)

#### ITEMS NEEDED FOR INSTALLATION:

ITEM NO	DESCRIPTION	QTY
1	CORD, ACS, FLEX	1
2	HOOK, AND LOOP, DIECAST CI	1
3	CORD-GRIP, GOTCHA RING, 16/3	1
4	GSKT, RUB BUSHG, 1/8, .41 ID, .93 OD	1
5	WASHER, .43" ID, .91" OD, CORDGRIP	1
6	BRKT, HOOK CLOSURE, HOOK/LOOP	1
7	SCR, 8-32X1/2, HWSD, ROLK, STL, MGD	1
8	WIRE-NUT, TWIST-ON, SELF-INSULAT	1
9	INSTSHT, HOOK-AND-LOOP, TRI-LING	1

1. Push flex cord (1) through the thru-hole of the die cast hook (2).
2. After the cord end passes through the cast hook, a cord-grip gotcha ring (3), a rubber gasket (4), and a cord-grip washer (3) are to be placed on the cord.
3. The flex cord should now be fed through the opening in the top of the LW cover assembly (threaded hub).
4. Attach the hook closure bracket (6) to the die cast hook, using the #8 screw (7) as shown.

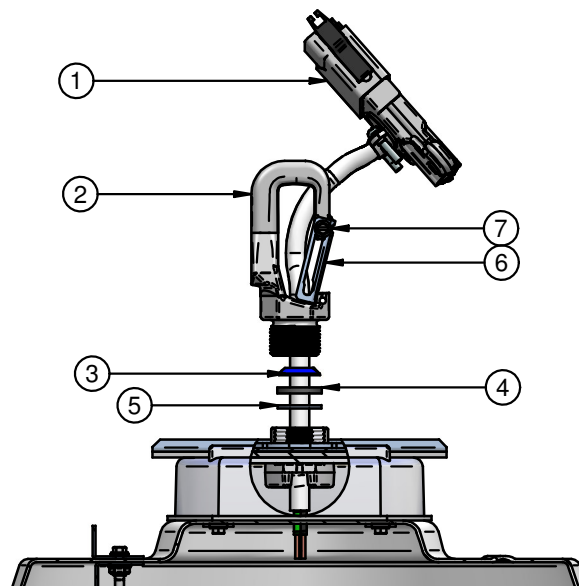


FIGURE 4



Hubbell Lighting, Inc.  
A subsidiary of Hubbell Incorporated

Industrial Lighting 101 Corporate Drive, Suite L • Spartanburg, SC 29303 Phone: (864) 599-6000

Doc. No. 93006662  
Revision 11/06

Fax: (864) 699-1337

5. Align the cord-grip washer, the rubber gasket, and the gotcha ring with the hole in the LW cover assembly (threaded hub) and thread the die cast hook until tight.
6. The set screw inside the threaded hub can be tightened against the hook to prevent it from backing out of the threaded hole.
7. Wire connections made by joining like-colored wires, using the wire nut (8).

### ML – INSTALLATION OF FLEX CORD (FIG. 5)

#### ITEMS NEEDED FOR INSTALLATION:

ITEM NO	DESCRIPTION	QTY
1	CORD, ACS, FLEX	1
2	HOOK, AND LOOP, DIECAST CI	1
3	WASHER, .43" ID, .91" OD, CORDGRIP	1
4	GSKT, RUB BUSHG, 1/8, .41 ID, .93 OD	1
5	CORD-GRIP, 16/3, .34D/.41D, #23	1
6	BRKT, HOOK CLOSURE, HOOK/LOOP	1
7	SCR, 8-32X1/2, HWSO, ROLK, STL, MGD	1
8	WIRE-NUT, TWIST-ON, SELF-INSULAT	1
9	INSTSHT, HOOK-AND-LOOP, TRI-LING	1
10	SLEEVING, FLEXBL, .133 ID, #8, BL	2

1. Push flex cord (1) through the thru-hole of the die cast hook (2).
2. After the cord end passes through the cast hook, a cord grip washer (3) and a rubber gasket (4) are to be placed on the cord.
3. The flex cord should now be fed through the opening in the top of the ML cover assembly (threaded hub).
4. The plastic cord-grip (5) should now be squeezed onto the cord (placed 3/8" from the end of the cord jacket). The cord grip is to be clamped to at least one tooth from being fully engaged.
5. Attach the hook closure bracket (6) to the die cast hook, using the #8 screw (7) as shown.
6. Align the cord-grip washer and the rubber gasket with the hole in the ML cover assembly (threaded hub) and thread the die cast hook until tight.
7. The set screw inside the threaded hub can be tightened against the hook to prevent it from backing out of the threaded hole.
8. Wire connections made by joining like-colored wires, using wire nut (8) and flexible sleeving (10).

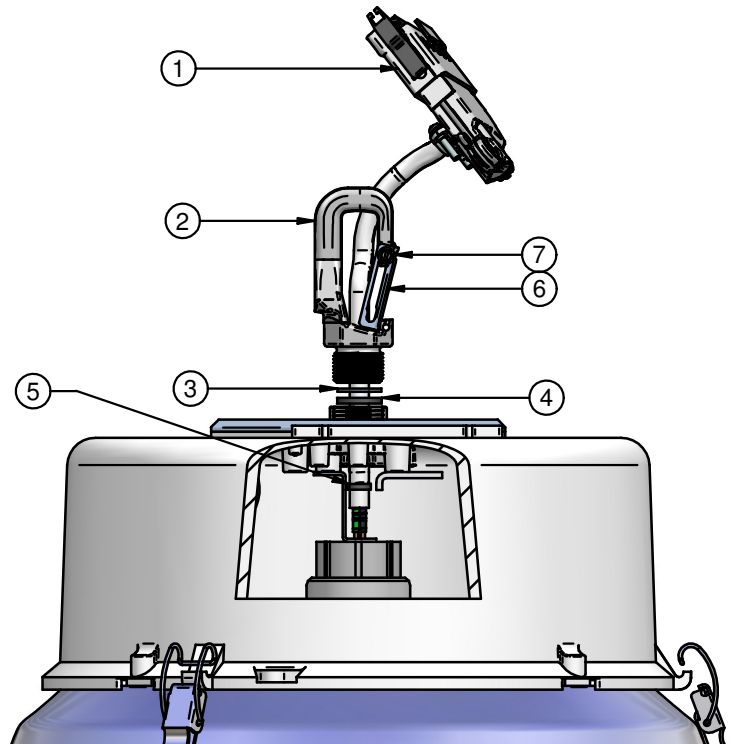


FIGURE 5



Hubbell Lighting, Inc.  
A subsidiary of Hubbell Incorporated

Industrial Lighting 101 Corporate Drive, Suite L • Spartanburg, SC 29303 Phone: (864) 599-6000

Doc. No. 93006662

Revision 11/06

Fax: (864) 699-1337