

IMPORTANT SAFETY INFORMATION. READ AND FOLLOW ALL SAFETY INSTRUCTIONS. Follow label information and instructions concerning Wet or Damp Locations, installation near combustible materials, insulation, building materials, and proper lamping. Do not install in areas subject to combustible vapors or gases. Before wiring to power supply and during servicing or relamping, turn off power at fuse or circuit breaker. **All servicing or relamping must be performed by qualified service personnel. Product must be grounded to avoid potential electric shock or other potential hazard. Product must be mounted in locations and at heights and in a manner consistent with its intended use, and in compliance with the National Electrical Code and local codes.** The use of accessory equipment not recommended by the manufacturer or installed contrary to instructions may cause an unsafe condition. Do not block light emanating from product in whole or part, as this may cause an unsafe condition. Do not allow items such as drapes, curtains, screens or the like to come into contact with the product or to block light from the product, as this may cause an unsafe condition.

INSTALLATION INSTRUCTIONS DBX/DBXQC

WARNING: When using special control devices with this fixture, follow instructions carefully to ensure N.E.C. compliance. For more help, contact a qualified electrical contractor.

CAUTION: To complete the installation, choose only UL listed Prescolite trims from the label inside the housing. The use of any trim not listed in this fixture is a violation of N.E.C. article 110-3(B) and voids all warranties.

FOR I.C. APPLICATIONS where the fixture may be in direct contact with insulation, remove the peel off warning label (1) from the housing (2) that reads: "WARNING RISK OF FIRE, DO NOT INSTALL INSULATION WITHIN 3 INCHES OF THE SIDES OF THE HOUSINGS".

FOR NON-I.C. APPLICATIONS where, except for mounting points, the fixture is installed at least 1/2" from any combustible surface and insulation is a minimum of 3 inches from all sides, remove the peel-off I.C. wattage label (2) from inside the housing (3).

1. For Wooden Joists: Use the Centering Notches (4) located on the Plaster Frame to position the Fixture. Extend the Bar Hangers (6), use joist alignment tabs to locate fixture and hammer the 4 Nails (7) into Joists (8) (Fig. 1). Drive additional nails through holes in Bar Hanger for alternate support if required (Fig 2).
2. For Suspended Ceilings: Place the Fixture on the ceiling grid with the "T" Bars (9) running through the Bar Hanger Notches (10). Using a flat head screwdriver or other tool, bend the integral t-bar mounting tabs (11) downward to a vertical position (Fig. 3). Secure housing to the support structure with tie wire (supplied by others) in the holes supplied. Sheet metal screws (supplied by others) can also be used in the holes supplied (20).
3. Locate Housing along Bar Hanger in desired position and, using pliers, squeeze the 4 Locking Tabs (12) on the Plaster Frame (13) tightly over the Bar Hangers to prevent further Housing movement. Bar Hangers (6) may be installed in alternate Slots (23) if mounting conditions require.
4. As desired, hanger bars (6) may be shortened at score mark to fit tight mounting conditions and joist alignment tabs removed to adjust vertically as needed by breaking off with pliers.
4. Unsnap Junction Box Cover (14) by lifting the Leaf Spring.
5. Run supply wires through UL Listed connectors (not supplied) in one of the five Pryouts (15) on the Junction Box (16) or Type NM cable (ROMEX) through an Opening above the Wire Retaining Plate (17). Connect Supply Wires (19) as shown in Fig 4 & 5. Replace Cover.
6. FOR AIR-TIGHT APPLICATIONS, such as Washington State Energy Code Requirements, the Prescolite housing is compliant with ASTM E283 restricted air flow regulations. Always follow local building codes to ensure compliance.
7. Loosen Screws (21) to adjust Housing (3) for variations in ceiling thickness. Bottom of Housing should be flush with ceiling (22) within tolerance. Slot Covers (18) can be rotated 180 degrees in thick ceiling applications to maintain Air-Tight requirements; "V" should be facing outward.
8. Select a Trim from the Wattage Label inside the Housing. Use Only Lamp Types approved for the Trim chosen. **DO NOT EXCEED MAXIMUM LISTED WATTAGE(S)**! For trim installation, refer to trim installation instructions.

SOCKET CAP AND INSTRUCTION SHEET MUST BE REMOVED FROM FIXTURE PRIOR TO ENERGIZING.



Ceiling Opening is to be 6-7/8" in diameter.

Instruction Sheet

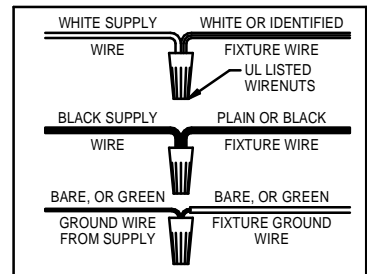
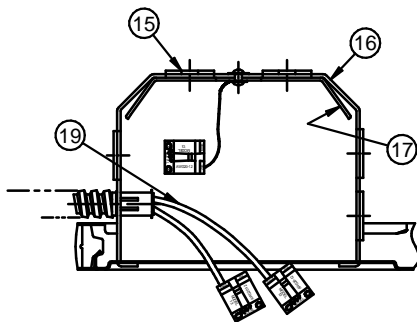
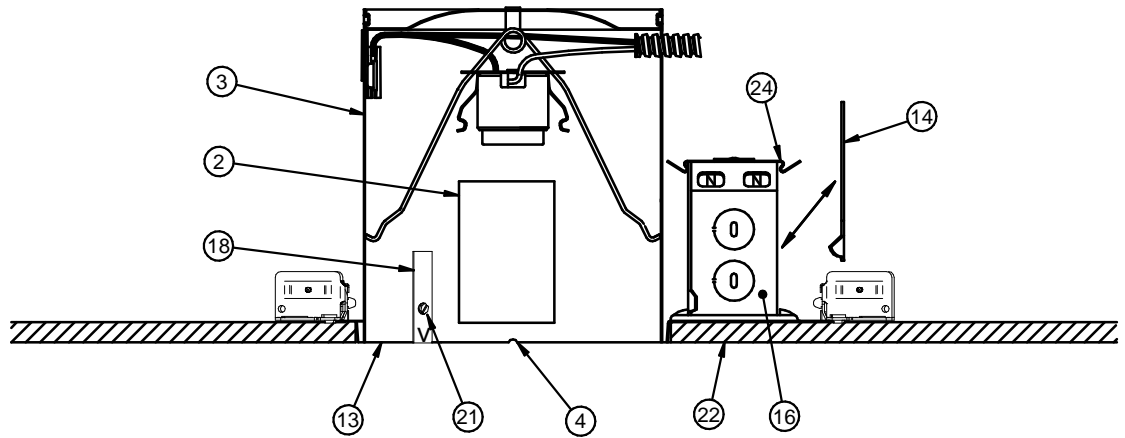
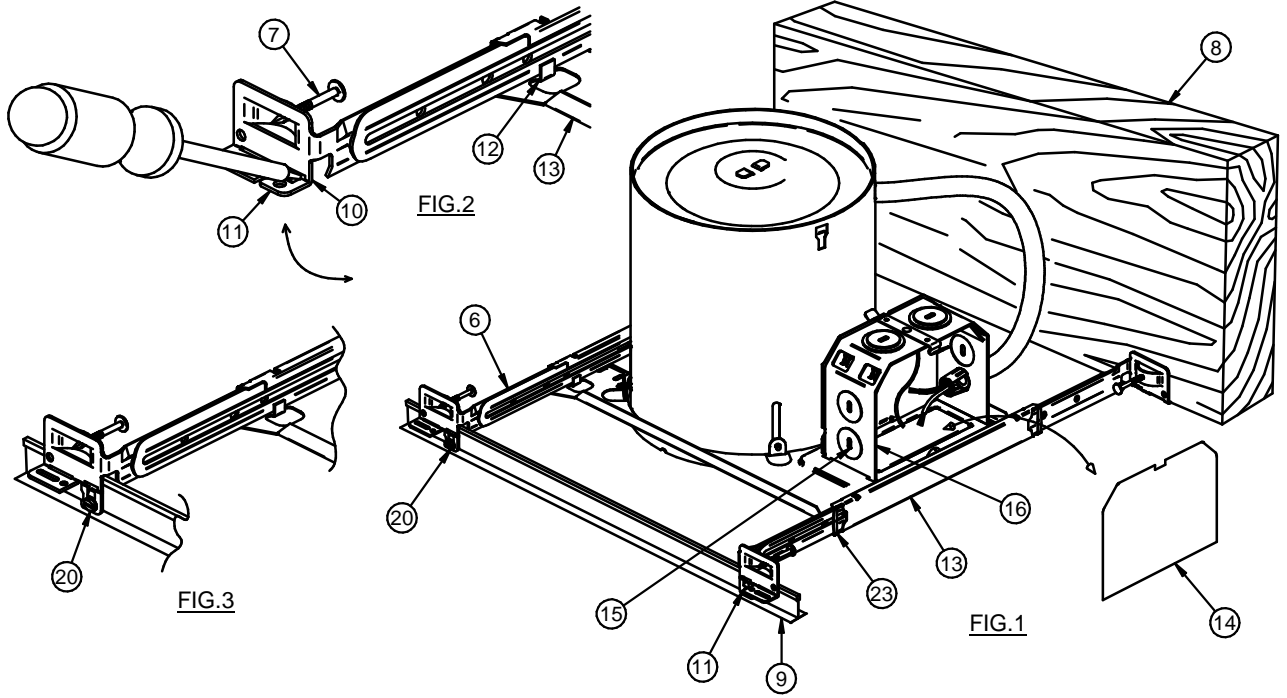


FIG.4

FIG.5



Hubbell Lighting, Inc.

701 Millennium Blvd., Greenville, SC 29607
 With representatives offices in principal cities throughout North America.
 Copyright 2018, 07/06/18 revision, All Rights Reserved - Printed in U.S.A.

