

IMPORTANT SAFETY INFORMATION. READ AND FOLLOW ALL SAFETY INSTRUCTIONS. Follow label information and instructions concerning Wet or Damp Locations, installation near combustible materials, insulation, building materials, and proper lamping. Do not install in areas subject to combustible vapors or gases. Before wiring to power supply and during servicing or relamping, turn off power at fuse or circuit breaker. **All servicing or relamping must be performed by qualified service personnel. Product must be grounded to avoid potential electric shock or other potential hazard. Product must be mounted in locations and at heights and in a manner consistent with its intended use, and in compliance with the National Electrical Code and local codes.** The use of accessory equipment not recommended by the manufacturer or installed contrary to instructions may cause an unsafe condition. Do not block light emanating from product in whole or part, as this may cause an unsafe condition. Do not allow items such as drapes, curtains, screens or the like to come into contact with the product or to block light from the product, as this may cause an unsafe condition.

INSTALLATION INSTRUCTIONS IBX4-120

WARNING: When using special control devices with this fixture, follow instructions carefully to ensure N.E.C. compliance. For more help, contact a qualified electrical contractor.

WARNING: To complete the installation, choose only UL listed Prescolite trims from the label inside the housing. The use of any trim not listed in this fixture is a violation of N.E.C. article 110-3(B) and voids all warranties.

WARNING: Thermal insulation may be installed in direct contact with the fixture, but DO NOT install insulation in excess of eight inches deep above fixture. Greater depth may cause the thermal protector to cycle the fixture on and off.

WARNING: National Electrical Code, Article 110-3 (b), states that "Listed or labeled equipment shall be used or installed in accordance with any instructions included in the listing or labeling". Use only Prescolite UL listed trims. Use of other trims not listed in this fixture, including those that are UL classified, is a violation of N.E.C. 110-3 (b) and voids all warranties.

1. For Wooden Joists: Extend the Bar Hangers (6), use joist alignment tabs (4) to locate fixture and position underneath support joist (8). Drive the 4 Nails (7) into Joists (8) (Fig. 2). Drive additional nails through holes in Bar Hanger for alternate support if required (Fig 2).
2. For Suspended Ceilings: Place the Fixture on the ceiling grid with the "T" Bars (9) running through the Bar Hanger Notches (10). Using a flat head screwdriver or other tool, bend the integral t-bar mounting tabs (11) downward to a vertical position (Fig. 3). Secure housing to the support structure with tie wire (supplied by others) in the holes supplied. Sheetmetal screws (supplied by others) can also be used in the holes supplied (20).
3. Locate Housing along Bar Hanger in desired position and, using pliers, squeeze the 4 Locking Tabs (12) on the Plaster Frame (13) tightly over the Bar Hangers to prevent further Housing movement. Screws (1) are provided that can be tightened to lock Housing on the Hanger Bars.
4. As desired, hanger bars (6) may be shortened at score mark to fit tight mounting conditions and joist alignment tabs removed to adjust vertically as needed by breaking off with pliers.
5. Unsnap Junction Box Cover (14) by lifting the Leaf Spring (24).
6. Run supply wires through UL Listed connectors (not supplied) in one of the five Pryouts (15) on the Junction Box (16) or Type NM cable (ROMEX) through an Opening above the Wire Retaining Plate (17). Connect Supply Wires (19) as shown in Fig 4 & 5. Replace Cover.
7. FOR AIR-TIGHT APPLICATIONS: This Prescolite product is Air-Tight approved per ASTM E283 testing standards and complies with Washington State Energy Code Requirements. To complete the installation of this Air-Tight product, the opening between the housing (3) and drywall ceiling (22) must be sealed by the installer using silicone caulking, tape, or any other means acceptable to the local codes official. Prescolite accessory gasket kid G6 (purchased separately) can be used for this purpose (Fig. 6).
8. Select a Trim from the Wattage Label inside the Housing. Use Only Lamp Types approved for the Trim chosen. **DO NOT EXCEED MAXIMUM LISTED WATTAGE(S)**. For trim installation, refer to trim installation instructions.
9. To gain access to junction box (16) after ceiling is finished, remove screw (2) and access door (5) inside of fixture. Junction box cover plate (14) can now be removed for service (Fig. 6).

SOCKET CAP AND INSTRUCTION SHEET MUST BE REMOVED FROM FIXTURE PRIOR TO ENERGIZING.



Instruction Sheet

Ceiling Opening is to be 4-3/8" in diameter.

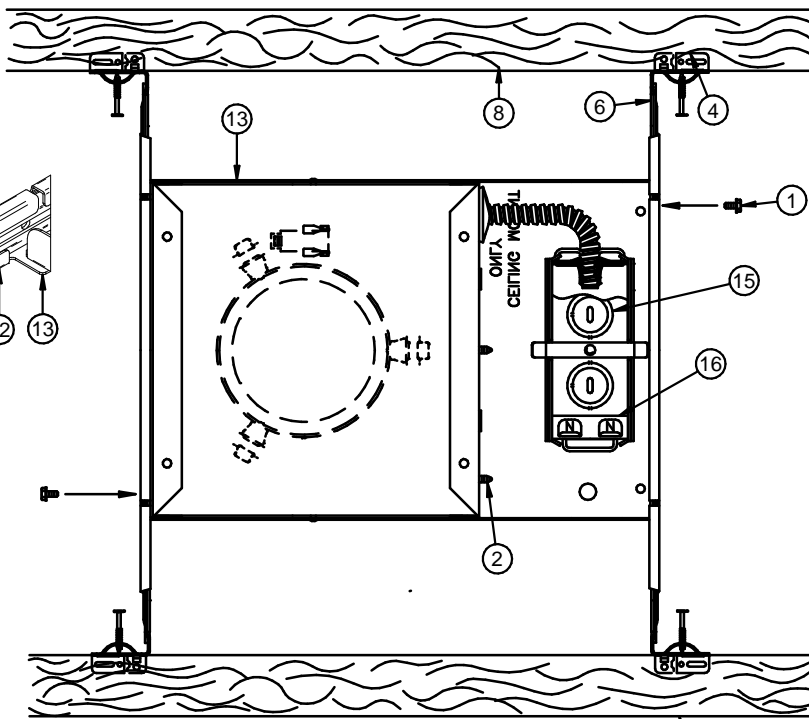


FIG. 1

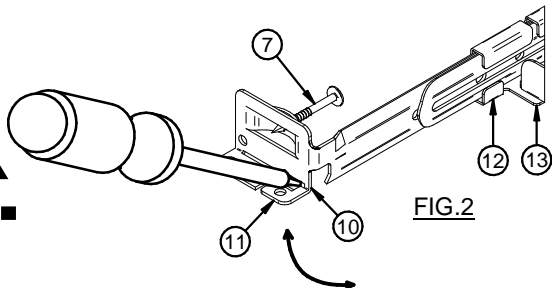


FIG. 2

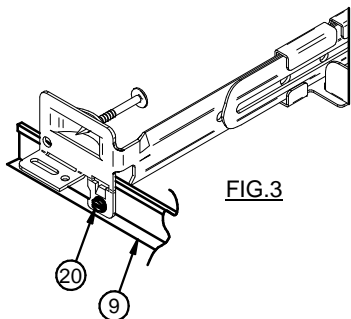
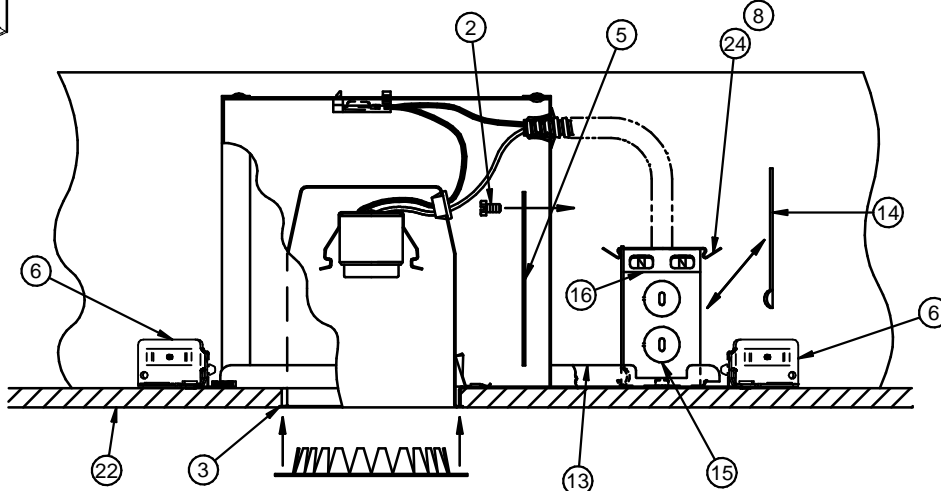


FIG. 3



G6 FIG. 6

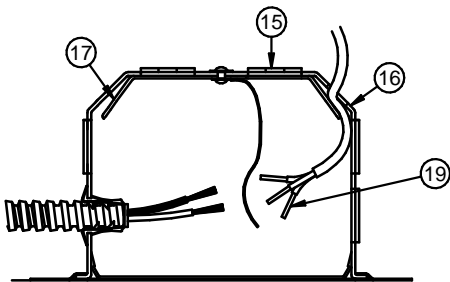


FIG. 4

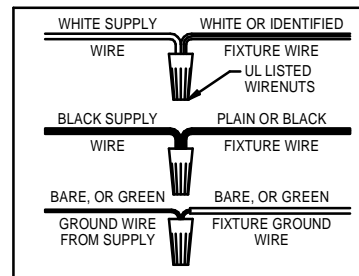


FIG. 5



701 Millennium Blvd., Greenville, SC 29607
With representatives offices in principal cities throughout North America.
Copyright 2018, 06/25/18 revision, All Rights Reserved - Printed in U.S.A.

