

IMPORTANT SAFETY INFORMATION. READ AND FOLLOW ALL SAFETY INSTRUCTIONS. Follow label information and instructions concerning Wet or Damp Locations, installation near combustible materials, insulation, building materials, and proper lamping. Do not install in areas subject to combustible vapors or gases. Before wiring to power supply and during servicing or relamping, turn off power at fuse or circuit breaker. **All servicing or relamping must be performed by qualified service personnel. Product must be grounded to avoid potential electric shock or other potential hazard. Product must be mounted in locations and at heights and in a manner consistent with its intended use, and in compliance with the National Electrical Code and local codes.** The use of accessory equipment not recommended by the manufacturer or installed contrary to instructions may cause an unsafe condition. Do not block light emanating from product in whole or part, as this may cause an unsafe condition. Do not allow items such as drapes, curtains, screens or the like to come into contact with the product or to block light from the product, as this may cause an unsafe condition.

INSTALLATION INSTRUCTIONS BX4-120

CAUTION: RISK OF FIRE: Recessed portions of recessed housing, other than at points of support, shall be spaced at least ½ inch from combustible material. Thermal insulation shall not be installed within 3 inches of recessed housing or junction box, and shall not be installed above fixture as to entrap heat and prevent the free circulation of air.

CAUTION: To complete the installation, choose only UL listed Prescolite trims from the label inside the housing. The use of any trim not listed in this fixture is a violation of N.E.C. article 110-3(B) and voids all warranties.

Follow this instruction sheet carefully. Be sure electricity is OFF before starting installation.

1. For Wooden Joists: Use the Centering Notches (4) located on the Plaster Frame to position the Fixture. Extend the Bar Hangers (6), use joist alignment tabs to locate fixture and hammer the 4 Nails (7) into Joists (8) (Fig. 1). Drive additional nails through holes in Bar Hanger for alternate support if required (Fig. 2).
2. For Suspended Ceilings: Place the Fixture on the ceiling grid with the "T" Bars (9) running through the Bar Hanger Notches (10). Using a flat head screwdriver or other tool, bend the integral t-bar mounting tabs (11) downward to a vertical position (Fig. 3). Secure housing to the support structure with tie wire (supplied by others) in the holes supplied. Sheetmetal screws (supplied by others) can also be used in the holes supplied (20).
3. Locate Housing (3) along Bar Hanger in desired position and, using pliers, squeeze the 4 Locking Tabs (12) on the Plaster Frame (13) tightly over the Bar Hangers to prevent further Housing movement. Bar Hangers (6) may be installed in alternate Slots (23) if mounting conditions require.
4. As desired, hanger bars (6) may be shortened at score mark to fit tight mounting conditions and joist alignment tabs removed to adjust vertically as needed by breaking off with pliers.
5. Unsnap Junction Box Cover (14) by lifting the Leaf Spring (24).
6. Run supply wires through UL Listed connectors (not supplied) in one of the five Pryouts (15) on the Junction Box (16) or Type NM cable (ROMEX) through an Opening above the Wire Retaining Plate (17). Connect Supply Wires (19) as shown in Fig 4 & 5. Replace Cover.
7. Select a Trim from the Wattage Label inside the Housing. Use Only Lamp Types approved for the Trim chosen. **DO NOT EXCEED MAXIMUM LISTED WATTAGE(S)!**

*INSTRUCTION SHEET MUST BE REMOVED FROM FIXTURE
PRIOR TO ENERGIZING.*



Instruction Sheet

Ceiling Opening is to be 4-3/8" in diameter.

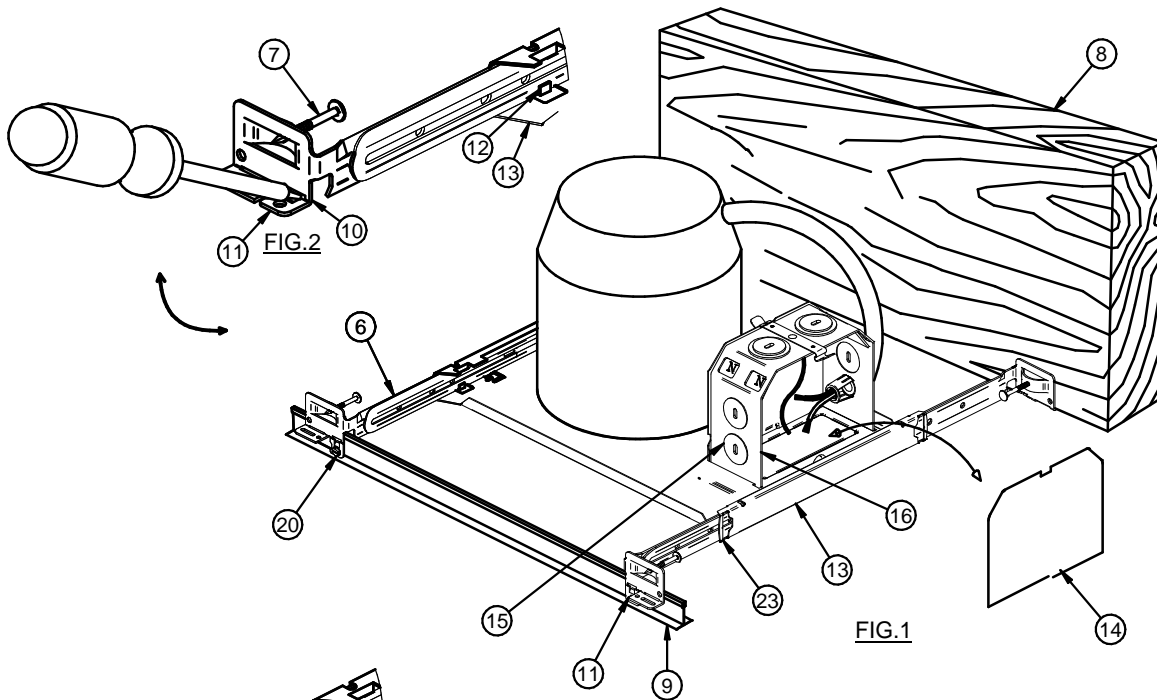


FIG. 1

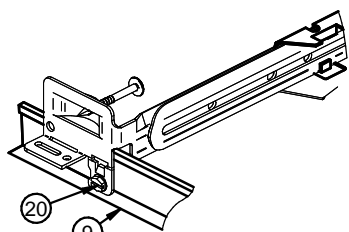


FIG. 2

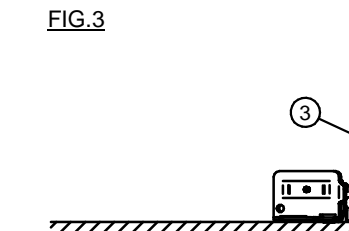


FIG. 3

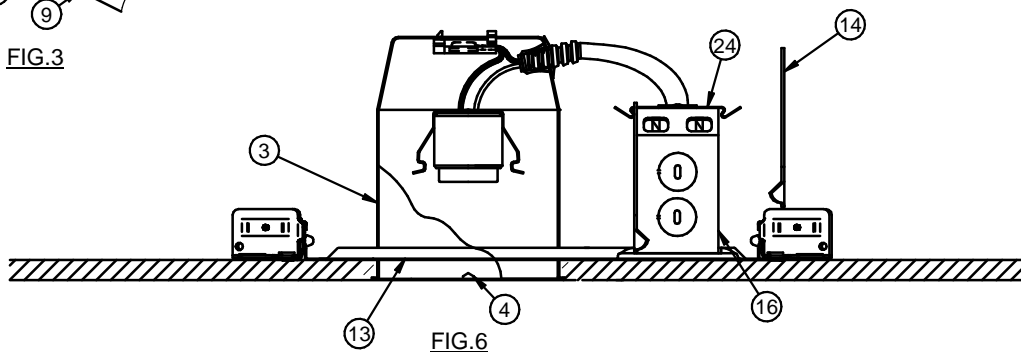


FIG. 4

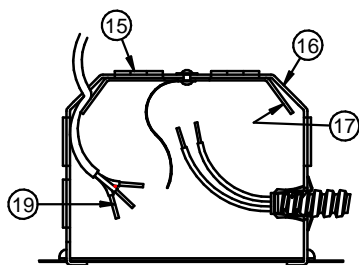


FIG. 5

| | |
|--|------------------------------------|
| WHITE SUPPLY WIRE | WHITE OR IDENTIFIED FIXTURE WIRE |
| BLACK SUPPLY WIRE | PLAIN OR BLACK FIXTURE WIRE |
| BARE, OR GREEN GROUND WIRE FROM SUPPLY | BARE, OR GREEN FIXTURE GROUND WIRE |

UL LISTED WIRE NUTS

FIG. 6

