

IMPORTANT SAFETY INFORMATION. READ AND FOLLOW ALL SAFETY INSTRUCTIONS. Follow label information and instructions concerning Wet or Damp Locations, installation near combustible materials, insulation, building materials, and proper lamping. Do not install in areas subject to combustible vapors or gases. Before wiring to power supply and during servicing or relamping, turn off power at fuse or circuit breaker. **All servicing or relamping must be performed by qualified service personnel. Product must be grounded to avoid potential electric shock or other potential hazard. Product must be mounted in locations and at heights and in a manner consistent with its intended use, and in compliance with the National Electrical Code and local building codes.** The use of accessory equipment not recommended by the manufacturer or installed contrary to instructions may cause an unsafe condition. Do not block light emanating from product in whole or part, as this may cause an unsafe condition. Do not allow items such as drapes, curtains, screens or the like to come into contact with the product or to block light from the product, as this may cause an unsafe condition.

INSTALLATION INSTRUCTIONS ARCHITRAK® SLOPED PENDANT ADAPTOR (AKTSPA)

For AKTCSK track stem kits
 for use with prescolite AKT one/two circuit track system only.
 Read installation instructions before installing the track system
 save instructions for reference when making additions to or changes in the track system.

INSTALLATION:

1. Refer to PRESCOLITE AKT series track for track installation instructions
2. Assemble stem to universal cross bar with two lock nuts. Mount cross bar to ceiling box with screws provided with ceiling box. Slide 4-1/2" square canopy up stem. Secure to universal cross bar with two flat head screws.
3. Assemble Z bracket to track rail with screws provided through slots provided at ends or middle of track.
4. Slide plastic cover up stem. Secure stem to Z bracket with two lock nuts provided. Slide cover down over Z bracket assembly.

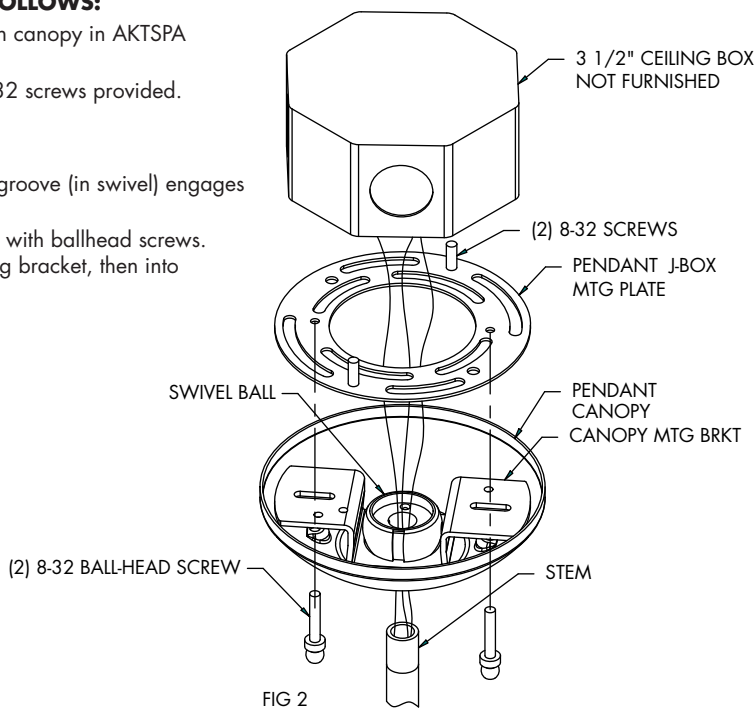
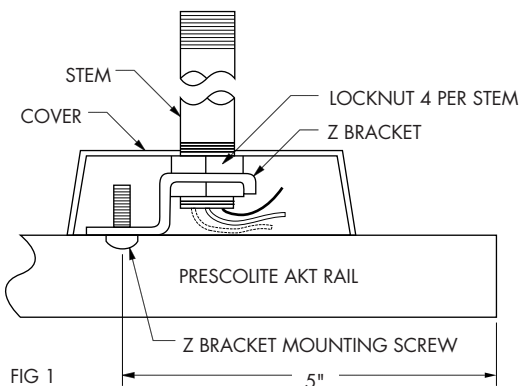
**WHEN STEM KIT IS USED AS A POWER FEED YOU MUST USE AN AKTCSK TRACK STEM WIRE COVER (FIG 1).
 INSTALL AS FOLLOWS:**

1. Run suitable black, white, green code gauge wire through stem. Be sure to allow at least 10" of wire for wiring to connector. See wiring instructions provided with connectors AKTEF, AKTT, AKTSL.
2. Connect black stem wire to black supply wire. White stem wire to white supply wire. Green stem wire to green supply wire. Use approved wirenuts (not supplied).
3. Disgard plastic stem cover, replace with stem wire cover.
4. See notes 1, 2, 3, 4 and diagram below for stem assembly.

NOTE: WIRING IS PRESENT WHEN USED AS A POWER FEED ONLY.

WHEN A PENDANT ADAPTER IS USED INSTALL AS FOLLOWS:

1. Replace canopy assembly in AKTCSK track stem kits with canopy in AKTSPA (sloped pendant adapter).
2. Mount Pendant J-box mounting plate to J-box with (2) 8-32 screws provided.
3. Slip canopy and mounting bracket over stem.
4. Thread swivel to stem.
5. Seat swivel onto canopy mounting bracket making sure groove (in swivel) engages tab on mounting bracket.
6. Fasten canopy mounting bracket to J-box mounting plate with ballhead screws. Make sure ballhead screws run through slots on mounting bracket, then into designed holes on J-box mounting plate.



IMPORTANT SAFETY INFORMATION. READ AND FOLLOW ALL SAFETY INSTRUCTIONS. Follow label information and instructions concerning Wet or Damp Locations, installation near combustible materials, insulation, building materials, and proper lamping. Do not install in areas subject to combustible vapors or gases. Before wiring to power supply and during servicing or relamping, turn off power at fuse or circuit breaker. **All servicing or relamping must be performed by qualified service personnel. Product must be grounded to avoid potential electric shock or other potential hazard. Product must be mounted in locations and at heights and in a manner consistent with its intended use, and in compliance with the National Electrical Code and local building codes.** The use of accessory equipment not recommended by the manufacturer or installed contrary to instructions may cause an unsafe condition. Do not block light emanating from product in whole or part, as this may cause an unsafe condition. Do not allow items such as drapes, curtains, screens or the like to come into contact with the product or to block light from the product, as this may cause an unsafe condition.

INSTALLATION INSTRUCTIONS ARCHITRAK® SYSTEM

For prescolite AKT track fixture assemblies

For use with prescolite AKT one/two circuit track system only

Read installation instructions before installing the track system

Save instructions for reference when making additions to or changes in the track system

INSTALLATION:

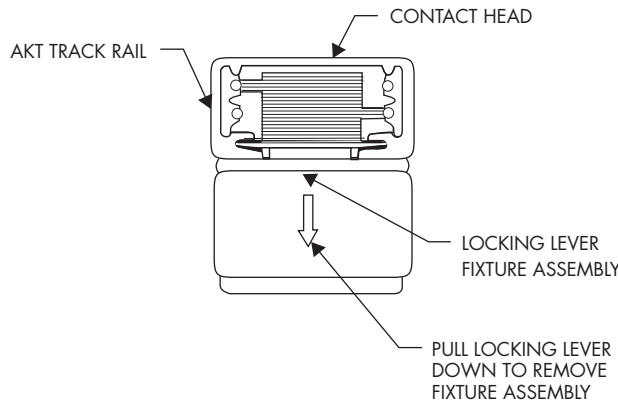
TRACK WIRED FOR SINGLE CIRCUIT OPERATION:

1. Refer to PRESCOLITE AKT series track for track installation instructions.
2. Pull plastic cover down on fixture contact head.
3. Insert contact head into PRESCOLITE AKT TRACK RAIL. Twist contact head 1/4 turn (90 degrees) until locking tab snaps up into place. To remove fixture from track, retract locking tab, turn 1/4 turn, (90 degrees) and remove.
4. If fixture assembly does not light, remove fixture, rotate 180 degrees, reinsert into track and turn 1/4 turn to engage single circuit.

TRACK WIRED FOR TWO CIRCUIT OPERATION:

1. All fixtures can be placed on circuit one or circuit two. To alternate circuits fixtures are placed on, rotate alternate fixture 180 degrees.
2. Refer to AKT TRACK RAIL INSTRUCTIONS for circuit identification groove.

NOTE: For lamp type and maximum lamp wattage, refer to relamp label located inside fixture assembly.



WARNING:

When installing or using this track system, basic safety precautions should always be followed. Read all instructions. Do not install this track in damp or wet locations. Do not install any part of track system less than 5 feet above floor. Do not install any fixture assembly closer than 6 inches from any curtain, or similar combustible material. Disconnect electrical power before adding to or changing the configuration of the track. Do not attempt to energize anything other than lighting track fixtures on the track to reduce the risk of fire and electric shock, do not attempt to connect power tools, extension cords, appliances, and the like to the track system.

**FIXTURE ASSEMBLY NOT SHOWN
SAVE THESE INSTRUCTIONS**



Hubbell Lighting, Inc.

701 Millennium Blvd, Greenville, SC 29607

With representatives offices in principal cities throughout North America.
Copyright 2007, 11/06/07, All Rights Reserved - Printed in U.S.A.

