

IMPORTANT SAFETY INFORMATION. READ AND FOLLOW ALL SAFETY INSTRUCTIONS. Follow label information and instructions concerning Wet or Damp Locations, installation near combustible materials, insulation, building materials, and proper lamping. Do not install in areas subject to combustible vapors or gases. Before wiring to power supply and during servicing or relamping, turn off power at fuse or circuit breaker. **All servicing or relamping must be performed by qualified service personnel. Product must be grounded to avoid potential electric shock or other potential hazard. Product must be mounted in locations and at heights and in a manner consistent with its intended use, and in compliance with the National Electrical Code and local building codes.** The use of accessory equipment not recommended by the manufacturer or installed contrary to instructions may cause an unsafe condition. Do not block light emanating from product in whole or part, as this may cause an unsafe condition. Do not allow items such as drapes, curtains, screens or the like to come into contact with the product or to block light from the product, as this may cause an unsafe condition.

INSTALLATION INSTRUCTIONS

DBXMRI

.....
WARNING: Thermal insulation may be installed in direct contact with fixture, but DO NOT install insulation in excess of eight (8) inches deep above fixture. Greater depth may cause the thermal protector to cycle the fixture on or off.

WARNING: Use only those trims, lamps and maximum wattages proper for this fixture, as indicated on the label within.

WARNING: The National Electrical Code, Article 110-3 (b), states that "Listed or labeled equipment shall be used or installed in accordance with any instructions included in the listing or labeling". Use only with Prescolite UL listed trims. Use of other trims not listed in this fixture, including those that are UL classified, is a violation of N.E.C. 110-3(b) and voids all warranties.

WARNING: If any special control devices are used with this fixture, follow the instructions carefully to assure full compliance with N.E.C. requirements. If there are any questions, contact a qualified electrical contractor.
.....

1. For wooden joists: Use the centering notches (4) located on the plaster frame to position the fixture. Extend the hanger bars (6) Drive nail through holes in hanger bars for support (Fig. 1). Bars may be bent to fit tight mounting conditions.
2. On suspended ceilings: Place the fixture on the ceiling grid with the "T" bars (7) running through the hanger bars notches (8). Fold the hanger bar ends closed to engage the integral tabs (9). Secure with pliers if necessary.
3. Locate housing along hanger bar in desired position and, using pliers, squeeze the 4 locking tabs (10) on the plaster frame (11) tightly over the bars to prevent further housing movement.
4. Unsnap junction box cover (12) by lifting the leaf spring.
5. Run supply wires through UL listed connectors (not supplied) in one of the five pryouts (13) on the junction box (14). Connect wires (15) as shown in Fig. 2. Replace cover.
6. FOR AIR-TIGHT APPLICATIONS or to meet Washington State Energy Code requirements fill the space between the housing (3) and drywall ceiling (16) with silicone caulking , tape, or any other means acceptable to local code official. Prescolite Gasket G6 (purchased seperately) can be used for this purpose. (See Fig. 2)
7. Select a trim from the wattage label inside the housing. Use only lamp types approved for trim chosen.
DO NOT EXCEED MAXIMUM LISTED WATTAGES!
8. Loosen wingnut (17) to adjust housing (3) for variations in ceiling thickness.

This Instruction Sheet is also intended to be used as a Paint Shield.

Upon completion of Installation, crumple this sheet up and insert it up into the Housing to protect the socket and lamp labels from being spray painted. Remove Instruction Sheet and socket paint cap prior to installing trim.



701 Millennium Boulevard, Greenville, SC 29607
With representatives offices in principal cities throughout North America.
Copyright 2018, 8/13/18 , All Rights Reserved - Printed in U.S.A.



Instructions Sheet

(Ceiling opening is to be 6 7/8")

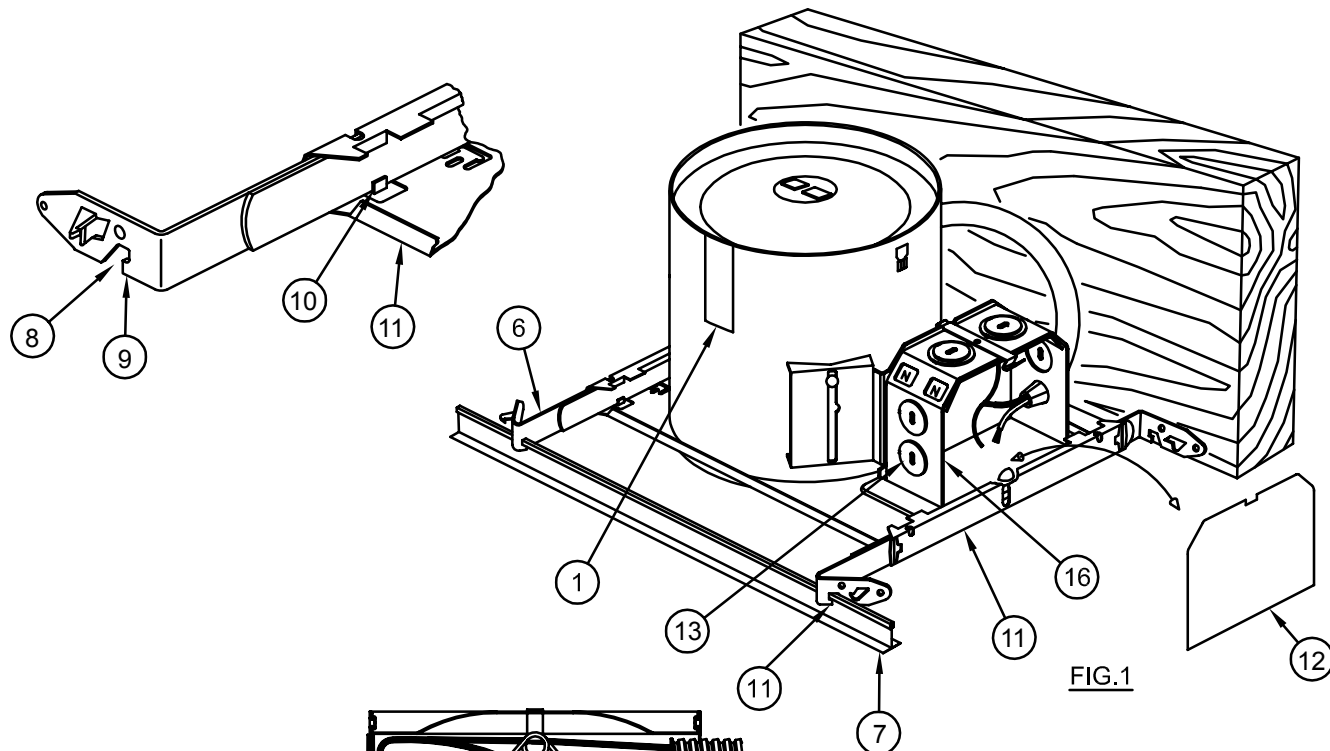


FIG.1

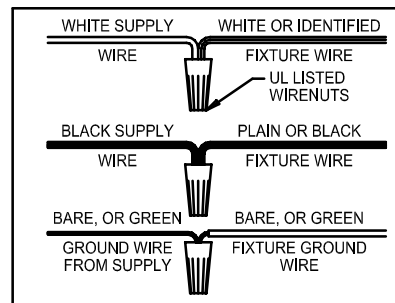
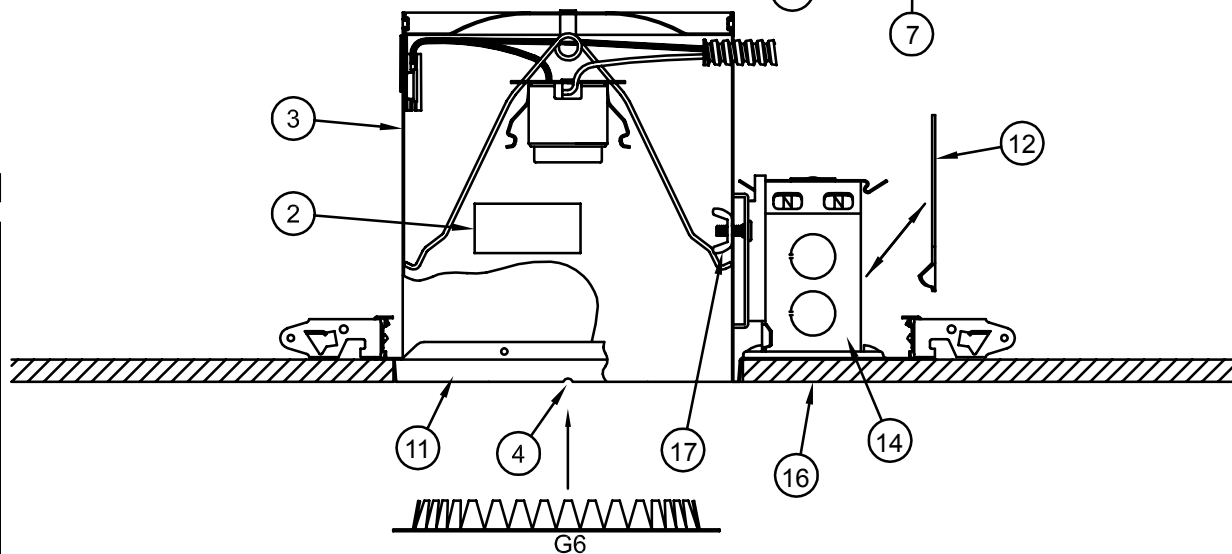
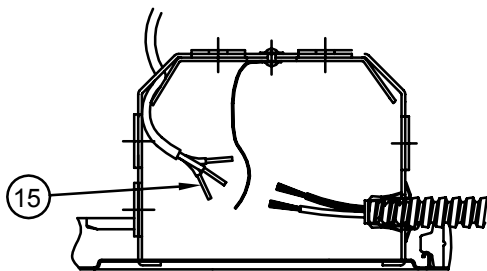


FIG.2



701 Millennium Boulevard, Greenville, SC 29607
With representatives offices in principal cities throughout North America.
Copyright 2018, 8/13/18 , All Rights Reserved - Printed in U.S.A.

