

IMPORTANT SAFETY INFORMATION. READ AND FOLLOW ALL SAFETY INSTRUCTIONS. Follow label information and instructions concerning Wet or Damp Locations, installation near combustible materials, insulation, building materials, and proper lamping. Do not install in areas subject to combustible vapors or gases. Before wiring to power supply and during servicing or relamping, turn off power at fuse or circuit breaker. **All servicing or relamping must be performed by qualified service personnel. Product must be grounded to avoid potential electric shock or other potential hazard. Product must be mounted in locations and at heights and in a manner consistent with its intended use, and in compliance with the National Electrical Code and local codes.** The use of accessory equipment not recommended by the manufacturer or installed contrary to instructions may cause an unsafe condition. Do not block light emanating from product in whole or part, as this may cause an unsafe condition. Do not allow items such as drapes, curtains, screens or the like to come into contact with the product or to block light from the product, as this may cause an unsafe condition.

INSTALLATION INSTRUCTIONS RECESSED LED AISLE LIGHT SLLED1

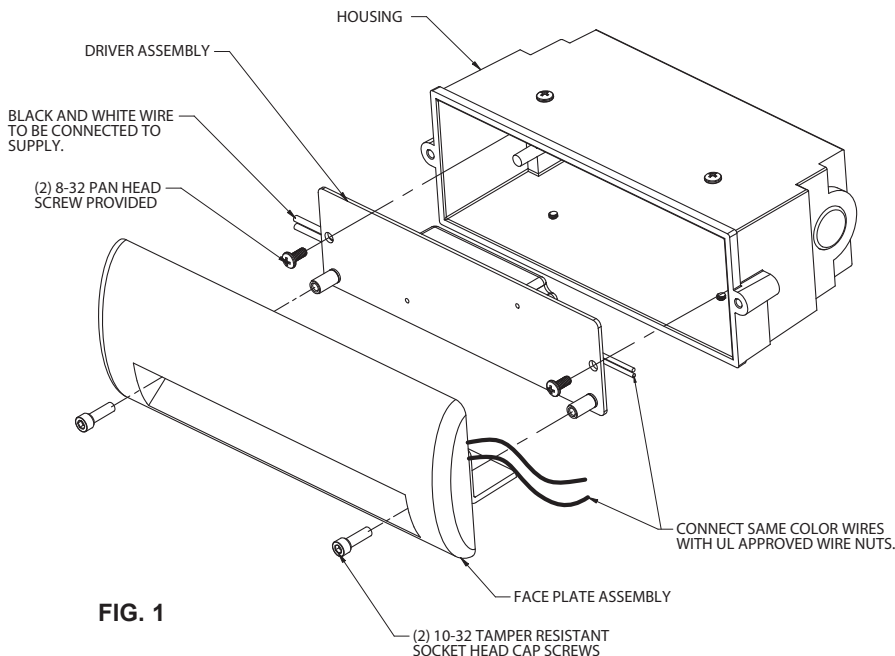


FIG. 1

1. Remove face plate assembly by removing 10-32 tamper resistant screws and place in bag enclosed to protect optics.
2. Remove wire nuts connecting the face plate assembly to the integral drive plate.
3. Remove the 8-32 screws securing the driver plate to the housing and remove the driver plate and place in bag enclosed to protect optics.
4. Secure the housing appropriately.
 - a. For concrete pour and masonry construction refer to Figure 2 and 3.
 - b. For drywall construction refer to Figure 4, 5, and 6.
5. Connect the black fixture wire from the driver plate to the black supply wire.
6. Connect the white fixture wire from the driver plate to the white supply wire.
7. Secure the drive plate using the 8-32 screws provided. Ensuring that supply wires stay behind driver plate.
8. Connect the black wire from the driver plate to the black wire of the face plate assembly using wire nut provided.
9. Connect the red wire from the driver plate to the red wire of the face plate assembly using the wire nut provided.
10. Secure the face plate assembly using the 10-32 tamper resistant screws provided.

WARNING:

1. **DO NOT** pinch wires between internal driver plate and housing. Consult a Qualified Electrician for all other options that require other wiring configurations.



Installation Instructions Recessed LED Aisle Light- SLLED1 For Concrete Installation (Housing Installation)

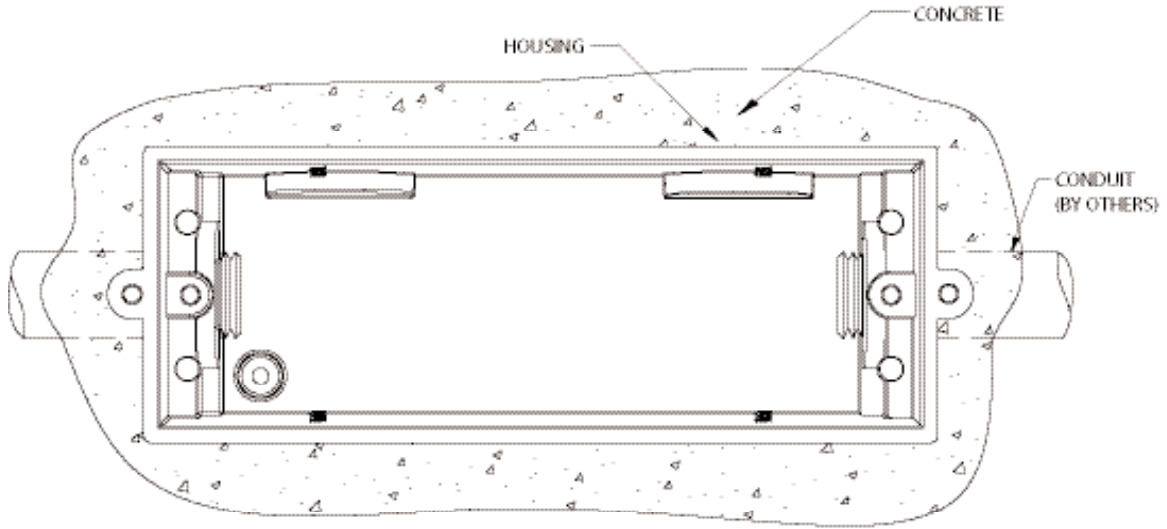


FIG. 2
(For wet or drywall installation see figure 4)

NOTE: IT IS RECOMMENDED THAT THE ALUMINUM HOUSING BE COATED WITH AN ASPHALT PAINT CONTAINING ALUMINUM PIGMENT.

For Concrete Installation

1. Select a threaded hole in housing to be used for supply wire access. Insert plugs into threaded holes not being used.
2. Attach housing with conduit mounted to concrete form, housing flange face must be flush with concrete surface.
3. Run supply wires in accordance with local and national electrical codes.

For Masonry Installation

1. Select a threaded hole in housing to be used for supply wire access. Insert plugs into threaded holes not being used.
2. Remove one masonry brick from the wall at the desired location for the fixture.
3. Insert the fixture housing into the wall and secure in place with mortar. Front surface of housing must be flush with masonry surface.

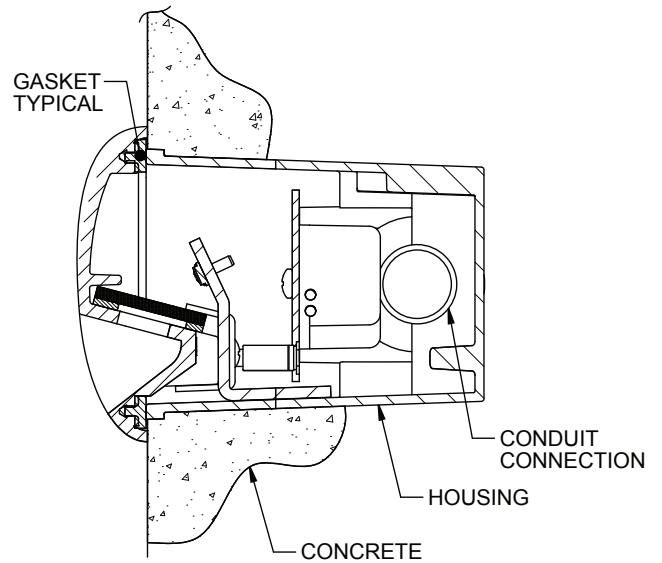


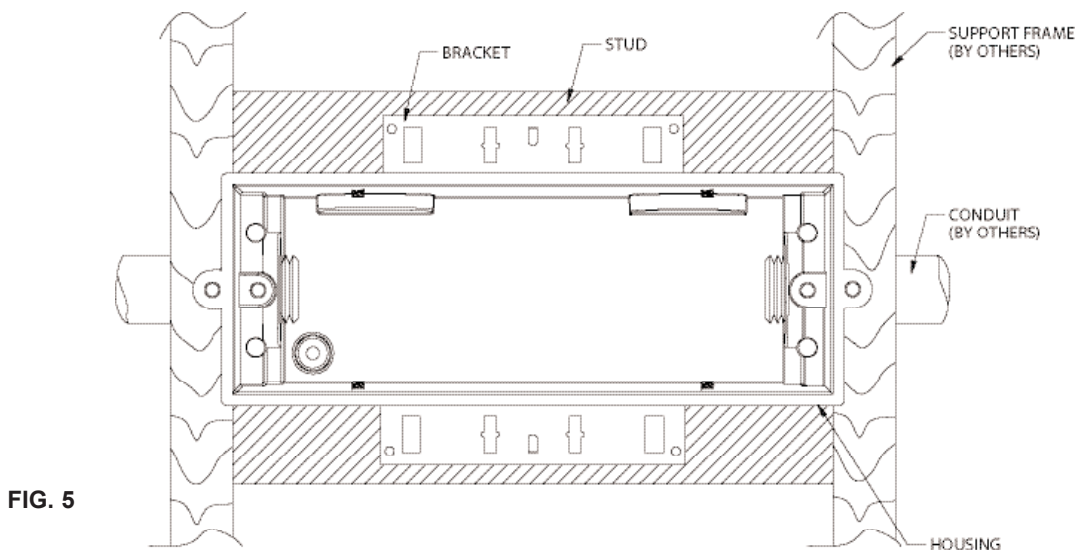
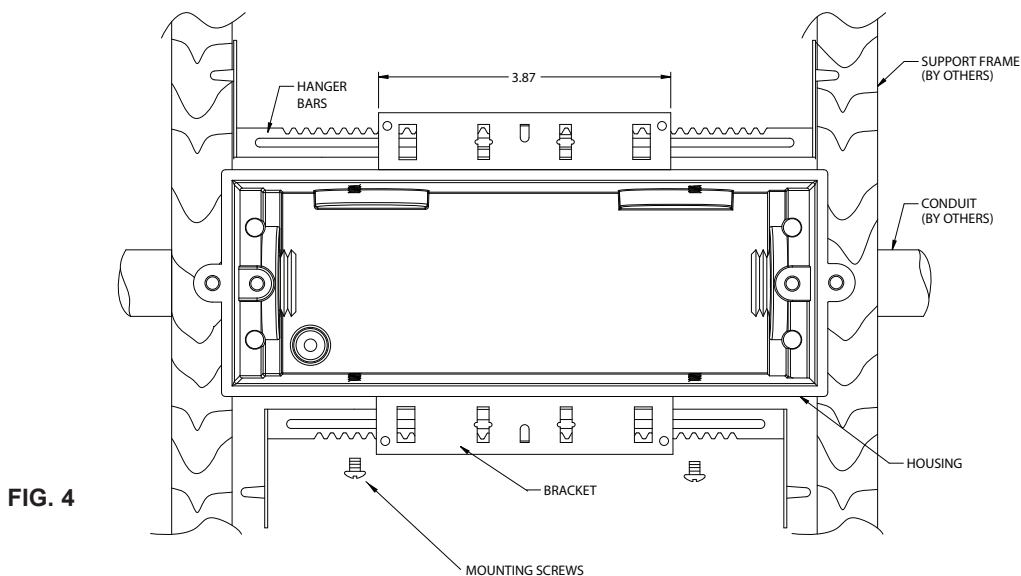
FIG. 3

NOTE:
PRESCOLITE CONCRETE MOUNTING BOX P/N: SLD12CMB IS TO BE USED WITH SLLED1 OR SLLED2 HOUSINGS ONLY.



Installation Instructions Recessed LED Aisle Light – SLLED 1 For Wet or Drywall Installation (Housing Installation)

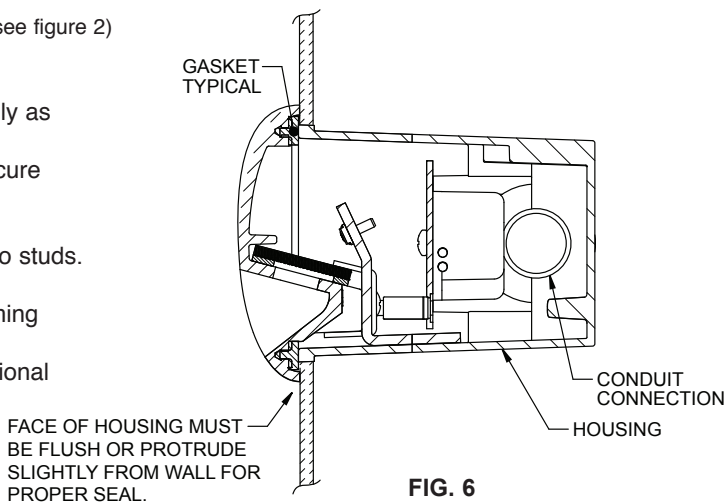
Instructions Sheet



(For concrete installation see figure 2)

For Wet or Drywall Installation

1. Use the hanger bar bracket which is sold separately as SLMB.
2. Remove screws from housing and use them to secure brackets to housing shown in figure 4.
3. Slip bar hangers into brackets.
4. Hold housing in desired position and drive bars into studs. If needed reinforce with nails.
5. If desired brackets can be mounted directly to framing members as shown in FIG 5.
6. Run supply wires in accordance with local and national electrical codes.



FACE OF HOUSING MUST BE FLUSH OR PROTRUDE SLIGHTLY FROM WALL FOR PROPER SEAL.