

IMPORTANT SAFETY INFORMATION. READ AND FOLLOW ALL SAFETY INSTRUCTIONS. Follow label information and instructions concerning Wet or Damp Locations, installation near combustible materials, insulation, building materials, and proper lamping. Do not install in areas subject to combustible vapors or gases. Before wiring to power supply and during servicing or relamping, turn off power at fuse or circuit breaker. **All servicing or relamping must be performed by qualified service personnel. Product must be grounded to avoid potential electric shock or other potential hazard. Product must be mounted in locations and at heights and in a manner consistent with its intended use, and in compliance with the National Electrical Code and local codes.** The use of accessory equipment not recommended by the manufacturer or installed contrary to instructions may cause an unsafe condition. Do not block light emanating from product in whole or part, as this may cause an unsafe condition. Do not allow items such as drapes, curtains, screens or the like to come into contact with the product or to block light from the product, as this may cause an unsafe condition.

INSTALLATION INSTRUCTIONS RECESSED LED AISLE LIGHT SLLED3

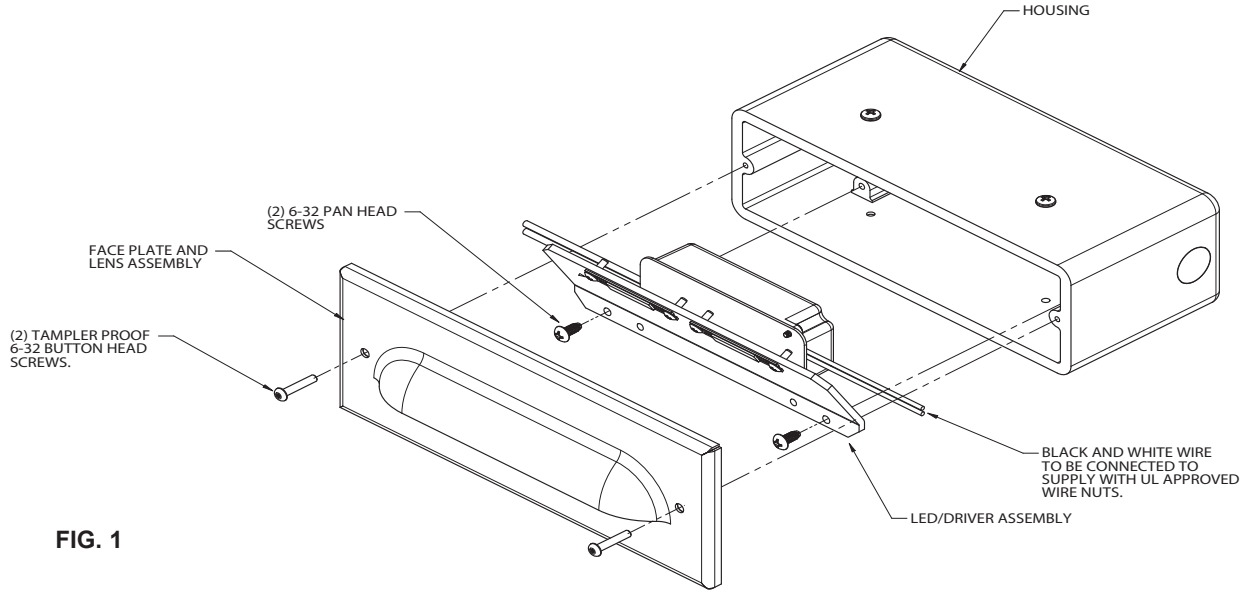


FIG. 1

1. Remove face plate and lens assembly by removing the 6-32 tamper resistant screws and place in bag enclosed.
2. Remove the 6-32 pan head screws securing the LED assembly to the housing and remove the LED assembly and place in bag enclosed.
3. Remove wire nuts connecting the LED assembly to the driver bracket assembly.
4. Secure the housing appropriately.
 - a. For concrete pour and masonry construction refer to FIG. 2 and 3.
 - b. For drywall construction refer to FIG 4, 5, and 6.
5. Connect the black fixture wire from the driver assembly to the black supply wire.
6. Connect the white fixture wire from the driver assembly to the white supply wire.
7. Secure the driver assembly using the 6-32 screws provided.
8. Connect the black wire from the driver assembly to the black wire of the LED assembly using wire nut provided.
9. Connect the red wire from the driver assembly to the red wire of the LED assembly using the wire nut provided.
10. Secure the face plate and lens assembly using the 6-32 tamper resistant screws provided.

WARNING: DO NOT pinch wires between driver bracket and housing. Consult a Qualified Electrician for all other options that require other wiring configurations.



Installation Instructions Recessed LED Aisle Light- SLLED 3 For Concrete or Masonry Installation (Housing Installation)

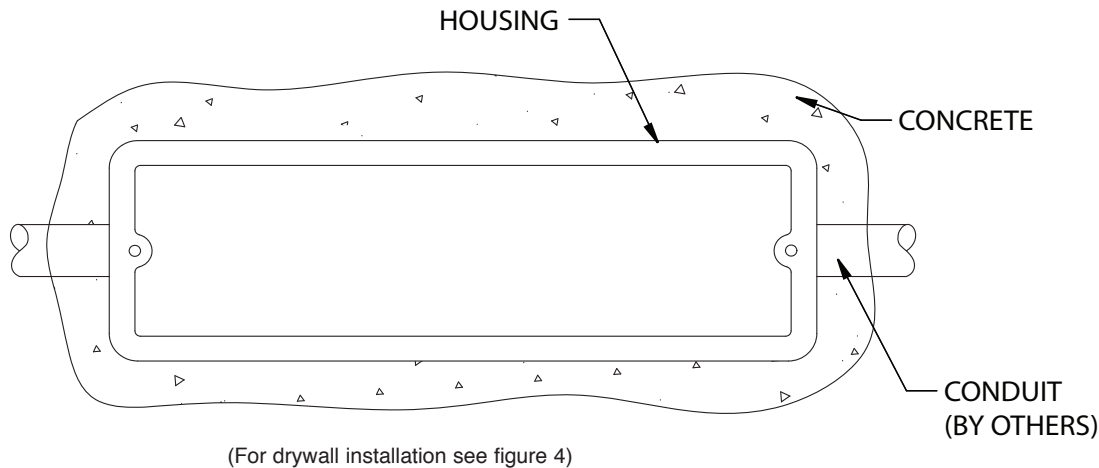


FIG. 2

NOTE: IT IS RECOMMENDED THAT THE ALUMINUM HOUSING BE COATED WITH AN ASPHALT PAINT CONTAINING ALUMINUM PIGMENT.

For Concrete Installation

1. Select a threaded hole in housing to be used for supply wire access. Insert plugs into threaded holes not being used.
2. Attach housing with conduit mounted to concrete form, Front surface of housing must extend at least 1/8 inch out from the surface of the wall.
3. Run supply wires in accordance with local and national electrical codes.

For Masonry Installation

1. Select a threaded hole in housing to be used for supply wire access. Insert plugs into threaded holes not being used.
2. Remove one masonry brick from the wall at the desired location for the fixture.
3. Insert the fixture housing into the wall and secure in place with mortar. Front surface of housing must extend at least 1/8 inch out from the surface of the wall.

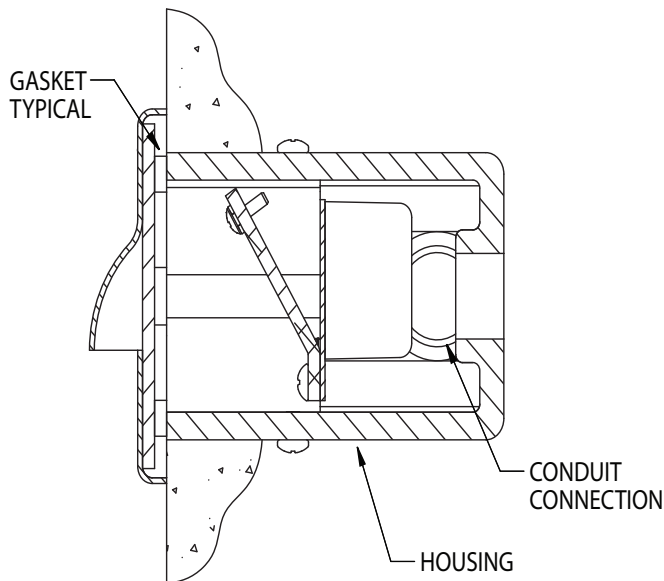


FIG. 3

NOTE: PRESCOLITE CONCRETE MOUNTING BOX P/N: SLD3CMB IS TO BE USED WITH SLLED3 HOUSINGS ONLY.



Installation Instructions Recessed LED Aisle Light- SLLED 3 For Wet or Drywall Installation (Housing Installation)

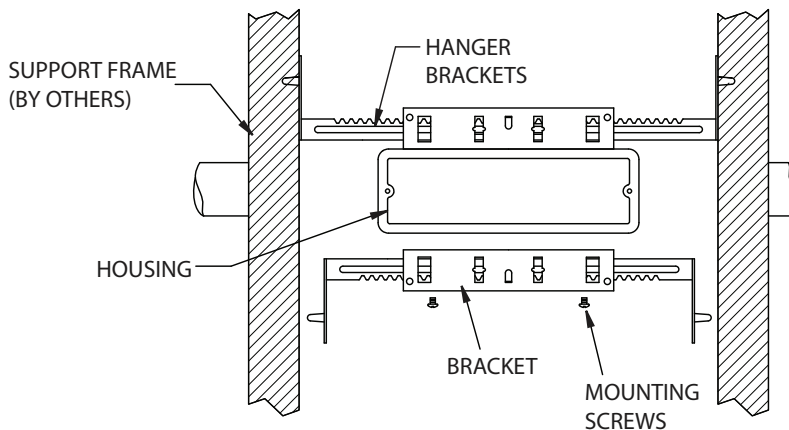


FIG. 4

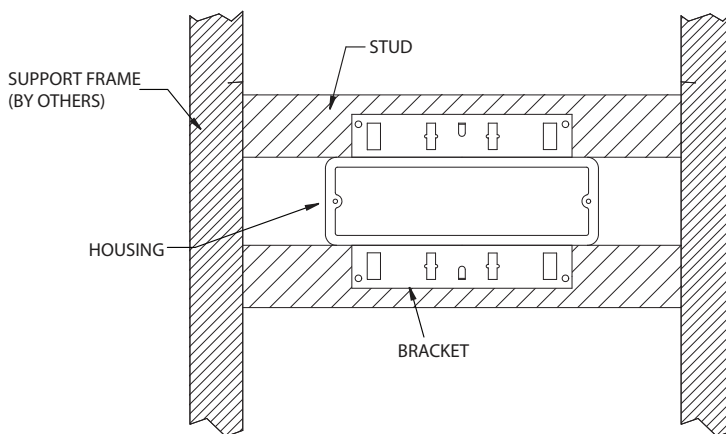


FIG. 5

For Wet or Drywall Installation

1. Use the hanger bar bracket which is sold separately as SLMB.
2. Remove screws from housing and use them to secure brackets to housing shown in figure 4.
3. Slip bar hangers into brackets.
4. Hold housing in desired position and drive bars into studs. If needed reinforce with nails or screws.
5. If desired, brackets can be mounted directly to framing members as shown in FIG 5.
6. Run supply wires in accordance with local and national electrical codes.

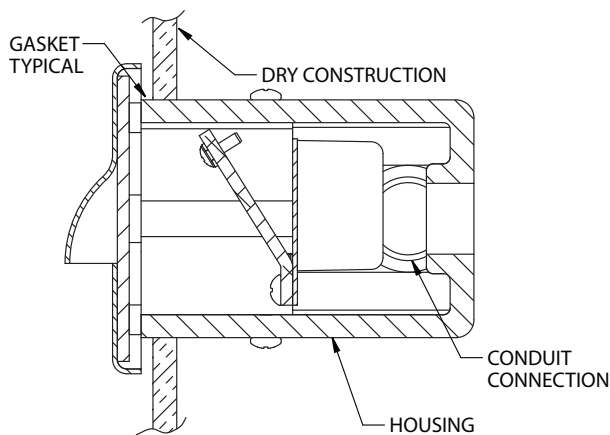


FIG. 6

