

LED Replacement
Contact factory

**RECYCLING INFORMATION**

All steel, aluminum and thermoplastic parts
are recyclable.
All cartons contain recycled materials.
Please recycle responsibly.

**PGN LED Sconce**

*High Performance LED Sconce For Indoor
Or Outdoor Application
Installation, Operation and Service Instructions*



**PATENTS
PENDING**

IMPORTANT SAFEGUARDS

When using electrical equipment, basic safety precautions should always be followed including the following.

READ AND FOLLOW ALL SAFETY INSTRUCTIONS

1. Do not let power supply cords touch hot surfaces.
2. Do not mount near gas or electric heaters.
3. Equipment should be mounted in locations and at heights where it will not readily be subject to tampering by unauthorized personnel.
4. The use of accessory equipment not authorized by the manufacturer may cause an unsafe condition.
5. Do not use this equipment for other than its intended purpose.
6. Servicing of this equipment should be performed by qualified service personnel.

INSTALLER:

- SEE UNIT LABEL FOR ADDITIONAL MODEL SPECIFICATIONS
- SAVE THESE INSTRUCTIONS FOR USE BY OWNER/OCCUPANT

WARNING – This product contains chemicals known to the State of California to cause cancer, birth defects and/or other reproductive harm. Thoroughly wash hands after installing, handling, cleaning, or otherwise touching this product.

93021413
93021935
93021936
93021937
93021938
93021939

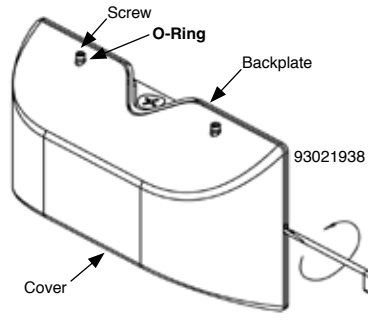
Hubbell Lighting, Inc. Life Safety Products • www.dual-lite.com

Copyright® Hubbell Lighting, Inc., All Rights Reserved • Specifications subject to change without notice. • Printed in U.S.A.

93020531 A 2/09



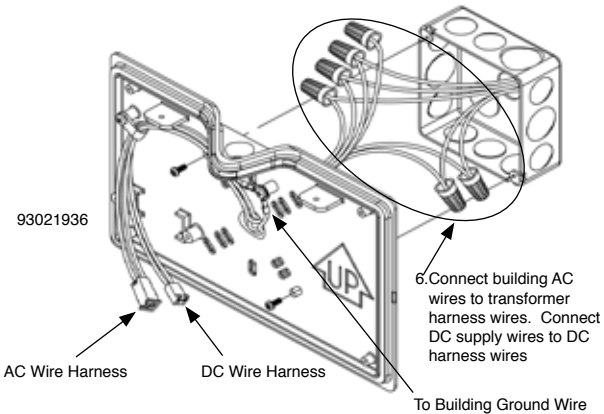
INSTALLATION



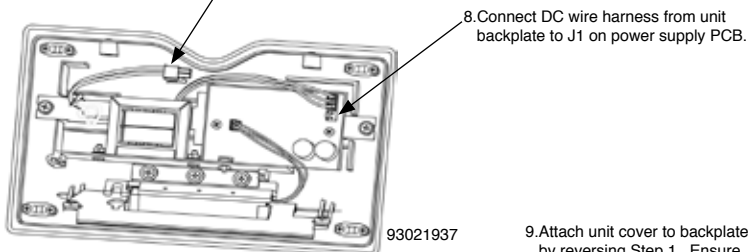
2. Remove 7/8" diameter K.O. from backplate if mounting to electrical box or remove 1/2"-1/4NPT pipe plug if using conduit.

CONDUIT MOUNTING:
If unit is not secured to mounting surface using unit backplate K.O. pattern and supplied gasket, use sealant to create waterproof seal between the mounting surface and the unit backplate.

IMPORTANT!
To weatherproof your outdoor installation, be sure to seal all fixture openings - mounting, conduit, etc.



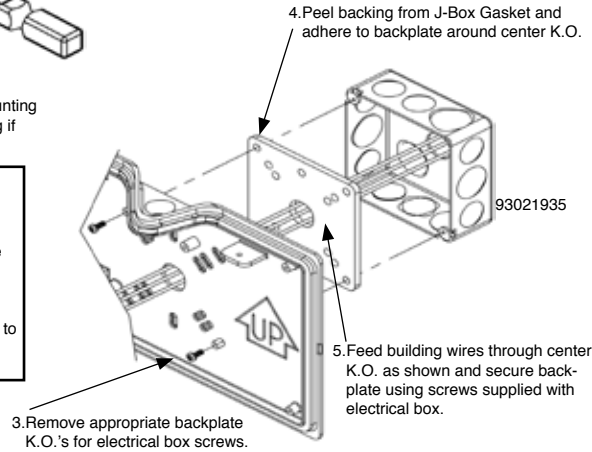
7. Connect transformer AC wire harness to AC wire harness on unit backplate.



9. Attach unit cover to backplate by reversing Step 1. Ensure all wires are within enclosure to avoid pinching with cover.

1. Open the unit by loosening both screws on top of unit until screws spin freely. Pry cover from backplate, and remove cover squarely from backplate. (Remove screws prior to re-installing cover.)

IMPORTANT:
Once unit is connected and cover is snapped onto backplate, gently seat screws onto O-ring seals to less than 1/2FT-LB (.7N-m).
DO NOT OVERTIGHTEN!
O-RING MAY BE DAMAGED AND THE UNIT WILL LEAK IF ABOVE IS NOT FOLLOWED.



3. Remove appropriate backplate K.O.'s for electrical box screws.

120VAC	Connect black (hot) and neutral (white) to supply. Cap off unused (red) conductor.
277VAC	Connect red (hot) and neutral (white) to supply. Cap off unused (black) conductor.
Ground	Connect ground (green) conductor.
6VDC through 12VDC	Connect blue (+) conductor to building (+) DC supply. Connect yellow (-) conductor to building (-) DC supply

NOTE:
Feed wires and nuts back into electrical box through backplate as shown.

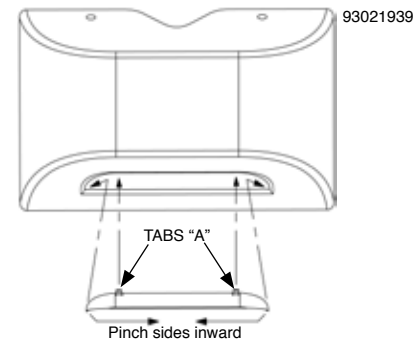
OPERATION

Unit will operate from 120 or 277VAC, 6 through 12VDC.

NOTE: In order for unit to function properly as emergency lighting (NEC 700.12), DC emergency supply must be powered from same normal AC supply as that to unit.

NOTE: This unit does not provide transfer logic. DC voltage supplied to unit will take priority over the AC supply, and unit will operate from the DC supply whenever both AC and DC voltages are present.

Full Cut-off Shield Installation



- Slide tabs "A" between housing and lens gasket.
- Pinch sides of shield inward and seat shield against lens.
- Release pinched sides of shield to secure to unit.