

IMPORTANT SAFETY INFORMATION. READ AND FOLLOW ALL SAFETY INSTRUCTIONS. Follow label information and instructions concerning Wet or Damp Locations, installation near combustible materials, insulation, building materials, and proper lamping. Do not install in areas subject to combustible vapors or gases. Before wiring to power supply and during servicing or relamping, turn off power at fuse or circuit breaker. **All servicing or relamping must be performed by qualified service personnel. Product must be grounded to avoid potential electric shock or other potential hazard. Product must be mounted in locations and at heights and in a manner consistent with its intended use, and in compliance with the National Electrical Code and local building codes.** The use of accessory equipment not recommended by the manufacturer or installed contrary to instructions may cause an unsafe condition. Do not block light emanating from product in whole or part, as this may cause an unsafe condition. Do not allow items such as drapes, curtains, screens or the like to come into contact with the product or to block light from the product, as this may cause an unsafe condition.

INSTALLATION INSTRUCTIONS RMNICDAT

WARNING: When using special control devices with this fixture, follow instructions carefully to assure N.E.C. compliance. For more help, contact a qualified electrical contractor.

CAUTION: To complete the installation, choose only UL listed Prescolite trims from the label inside the housing. The use of any trim not listed in this fixture, is a violation of N.E.C. Article 110-3 (B) and voids all warranties.

FOR I.C. APPLICATIONS: where the fixture may be in direct contact with insulation, Remove the peel-off label (14) that reads, "WARNING RISK OF FIRE. DO NOT INSTALL INSULATION WITHIN 3 INCHES OF THE SIDES OF THE HOUSING", from the side of the housing. NOTE: Over insulating may cause the Therna-Guard switch to cycle the unit on and off.

FOR NON- I.C. APPLICATIONS: where except for mounting points, the fixture is installed at least 1/2 inch from any combustible surface and insulation is a minimum of 3 Inches from all sides, Remove the peel-off I.C. wattage label (15) from inside the housing.

Follow this instruction sheet carefully. Be sure electricity is OFF before starting installation.

1. Cut a 6 5/8" diameter hole (1) in ceiling and pull electrical supply cable (2) down through opening.

CAUTION: Be careful not to cut through joists, wiring or piping when cutting opening in ceiling.

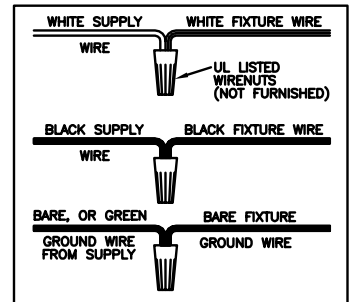
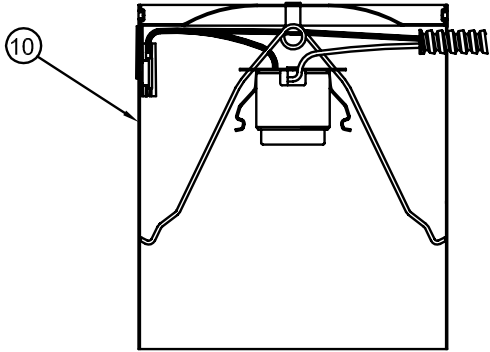
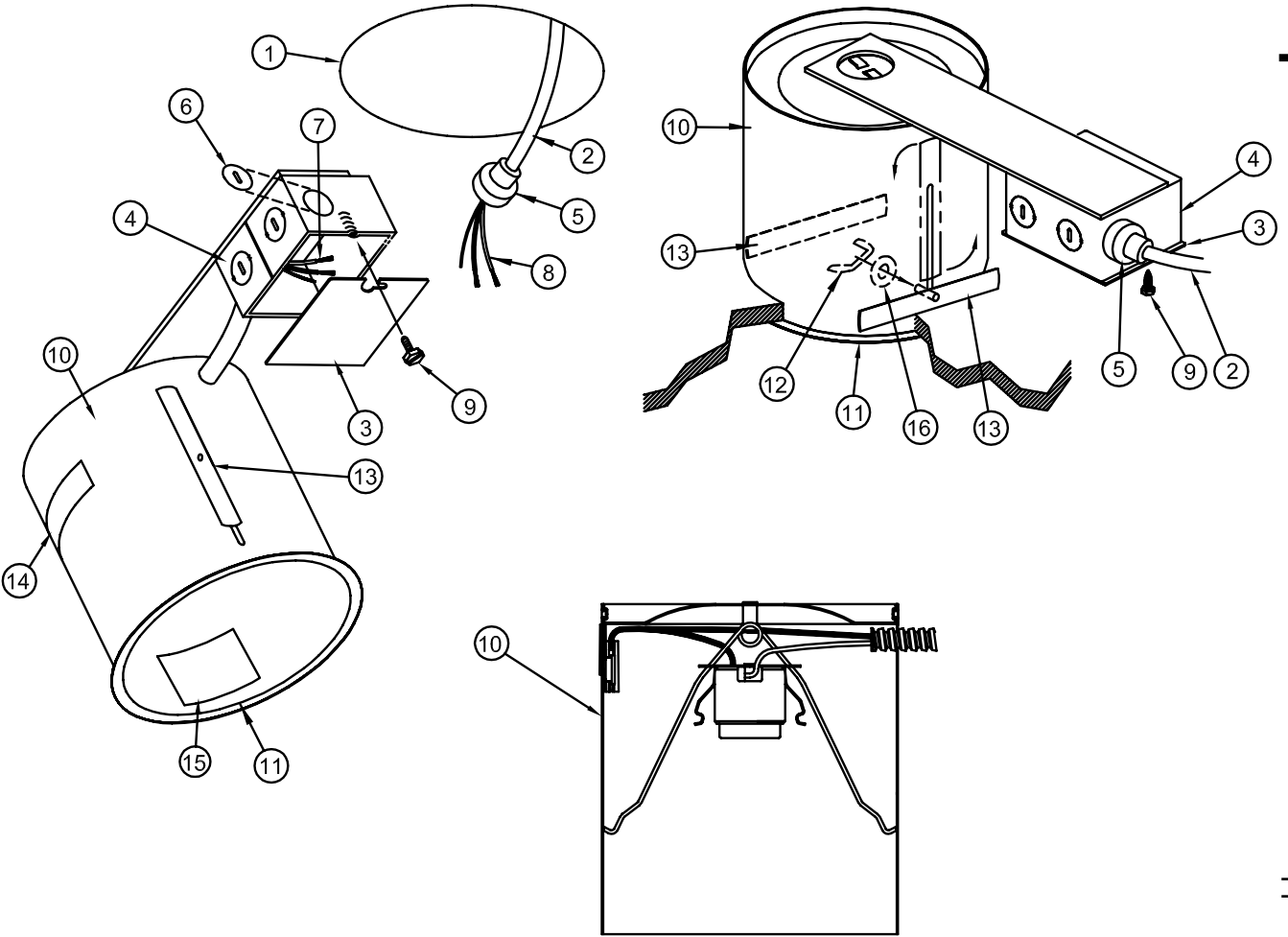
2. Remove cover plate (3) from junction box (4). Select a UL listed connector (5) (not furnished) appropriate for the electrical supply cable at installation. Remove desired knockout (6) from junction box (4) and secure cable (2) to box with connector (5).

3. Connect fixture wires (7) to supply wires (8) as shown in wiring diagram. Replace cover plate (3) onto junction box (4) securing in place with cover screw (9).

4. Slip housing (10) up through ceiling opening with flange (11) up against ceiling. Make sure that straps (13) are laying vertically against housing (10) so that unit can pass through ceiling opening. Loosen both wing nuts (12), rotate and slide straps (13) down and secure against top of ceiling surface. Tighten wing nuts (12) with flat washers (16) in place. (NOTE: Use hex nuts in place of wing nuts (12) when trim interferes with wing nuts (12).)



Instructions Sheet



701 Millennium Boulevard, Greenville, SC 29607
 With representatives offices in principal cities throughout North America.
 Copyright 2018, 8/13/18 All Rights Reserved - Printed in U.S.A.



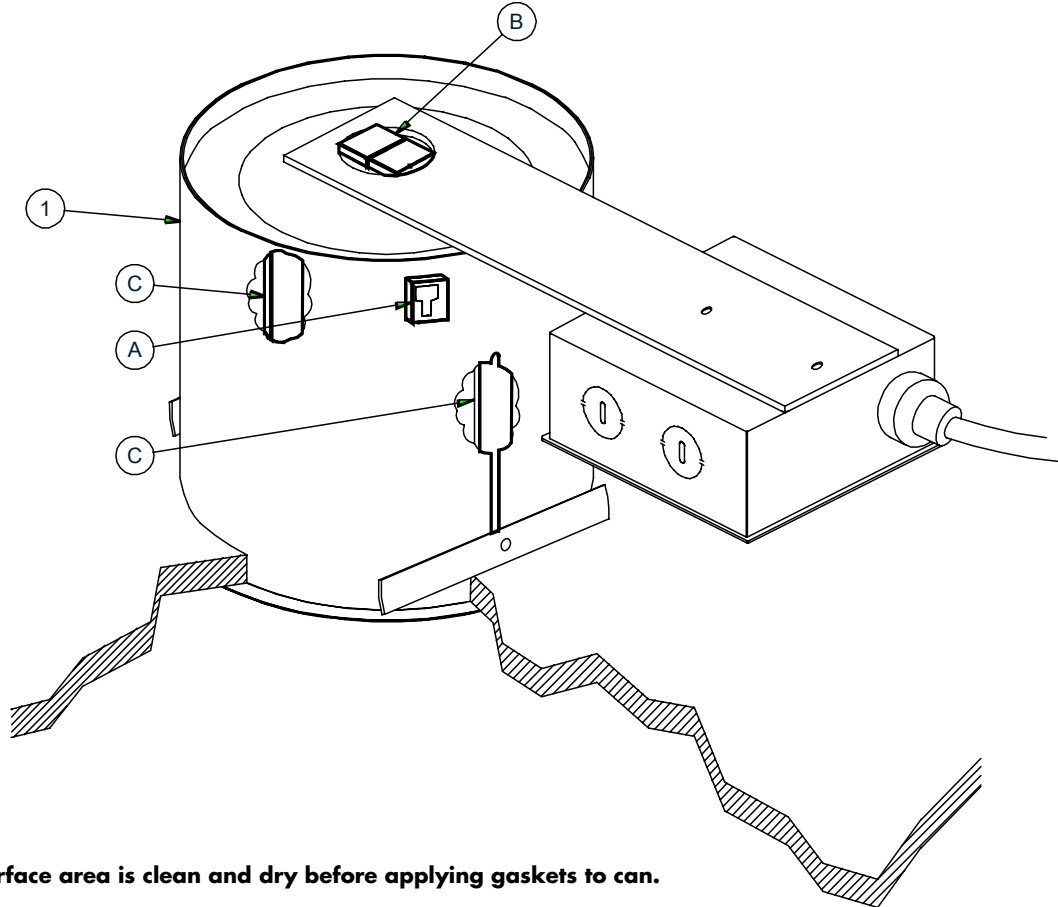
IMPORTANT SAFETY INFORMATION. READ AND FOLLOW ALL SAFETY INSTRUCTIONS. Follow label information and instructions concerning Wet or Damp Locations, installation near combustible materials, insulation, building materials, and proper lamping. Do not install in areas subject to combustible vapors or gases. Before wiring to power supply and during servicing or relamping, turn off power at fuse or circuit breaker. **All servicing or relamping must be performed by qualified service personnel. Product must be grounded to avoid potential electric shock or other potential hazard. Product must be mounted in locations and at heights and in a manner consistent with its intended use, and in compliance with the National Electrical Code and local building codes.** The use of accessory equipment not recommended by the manufacturer or installed contrary to instructions may cause an unsafe condition. Do not block light emanating from product in whole or part, as this may cause an unsafe condition. Do not allow items such as drapes, curtains, screens or the like to come into contact with the product or to block light from the product, as this may cause an unsafe condition.

ASSEMBLY AND INSTALLATION INSTRUCTIONS

CAUTION: Read instructions carefully and turn electricity off at main circuit breaker panel before beginning installation.

GK6

 WARNING: IF ANY SPECIAL CONTROL DEVICES ARE USED WITH THIS FIXTURE, FOLLOW THE INSTRUCTION CAREFULLY TO ASSURE FULL COMPLIANCE WITH N.E.C. REQUIREMENTS. IF THERE ARE ANY QUESTIONS, CONTACT A QUALIFIED ELECTRICAL CONTRACTOR.



Note:

Make sure surface area is clean and dry before applying gaskets to can.

- To convert the RMNICD to an Airtight Unit, use the following Gasket Components to seal openings in the Housing (1) as shown.
 - (A)- 1"x 1/2" Gasket, Qty. 1 (APPLY BEFORE INSTALLATION)
 - (B)- 1/2"x 1/2" Gasket, Qty. 2 (APPLY BEFORE INSTALLATION)
 - (C)- 5"x 1/2" Gasket, Qty. 2 (APPLY TO INSIDE OF CAN AFTER INSTALLATION)
 - (D)- AIR-TIGHT label (160060100 not shown), Qty. 1 (APPLY TO INSIDE OF CAN BEFORE INSTALLATION)

Note:

160060100 is pre-installed at factory on RMNICDAT. Label in kit can be discarded.

