

**Taking A Unit Out Of Service**

If a unit is to be deliberately taken out of service for an extended period, the positive (+) battery lead should be disconnected from the charger/transfer module and insulated so that the battery will go into storage in a fully charged condition.

**Replacing A Battery**

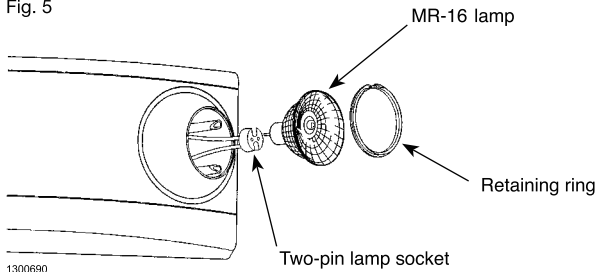
1. De-energize the AC power.
2. Disengage the housing cover from the backplate.
3. Disconnect battery leads.
4. Unfasten battery retaining strap and remove battery.  
**CAUTION:** Unfastening battery retaining strap will allow battery to slide out of housing. Exercise proper battery support.
5. Replace with a new battery (see unit model label for correct part number) and attach battery retaining strap and battery leads.
6. Reassemble the unit.

**Replacing An Emergency Lamp (Fig. 5)**

**Caution:** Allow lamp to cool completely before attempting replacement.

1. Remove plastic lamp retaining ring.
2. Pul defective lamp from lighting head assembly and unplug lamp from socket.
3. Plug replacement lamp into socket and install lamp into lighting head assembly.
4. Reinstall lamp retainer ring (flat side toward lamp).

Fig. 5

**RECYCLING INFORMATION**

All steel, aluminum and thermoplastic parts are recyclable.

**NOTICE:** Emergency units contain rechargeable batteries which must be recycled or disposed of properly.

1300686  
1300687  
1300688  
1300690

**LZ-03L Series**

*Twin-Head Emergency Lighting Unit*  
**Standard and Spectron® Equipped Models**  
**Installation, Operation and Service Instructions**

**IMPORTANT SAFEGUARDS**

When using electrical equipment, basic safety precautions should always be followed including the following.

**READ AND FOLLOW ALL SAFETY INSTRUCTIONS**

1. Do not use outdoors.
2. Do not let power supply cords touch hot surfaces.
3. Do not mount near gas or electric heaters.
4. Equipment should be mounted in locations and at heights where it will not readily be subject to tampering by unauthorized personnel.
5. The use of accessory equipment not authorized by the manufacturer may cause an unsafe condition.
6. Do not use this equipment for other than its intended purpose.
7. Servicing of this equipment should be performed by qualified service personnel.
8. Test cycling: the Life Safety Code (NFPA 101) requires testing of emergency lighting units once a month for a minimum of 30 seconds, and once a year for a minimum of 90 minutes.

**INSTALLER:**

- SEE UNIT LABEL FOR ADDITIONAL MODEL SPECIFICATIONS
- SAVE THESE INSTRUCTIONS FOR USE BY OWNER/OCCUPANT

**CAUTION** – To avoid shattering:

Do not operate lamp in excess of rated voltage. Protect lamp against abrasion or scratches and against liquid when operating. Dispose of lamp with care.

**WARNING** – This product contains chemicals known to the State of California to cause cancer, birth defects and/or other reproductive harm. Thoroughly wash hands after installing, handling, cleaning, or otherwise touching this product.



## INSTALLATION

### General Instructions

This unit is designed for mounting on a wall or ceiling. Provide each unit with a single unswitched supply from a 120VAC or 277VAC branch circuit used for normal lighting in the area to be protected.

Fig. 1

### Wall or Ceiling Mount - Back Power Feed

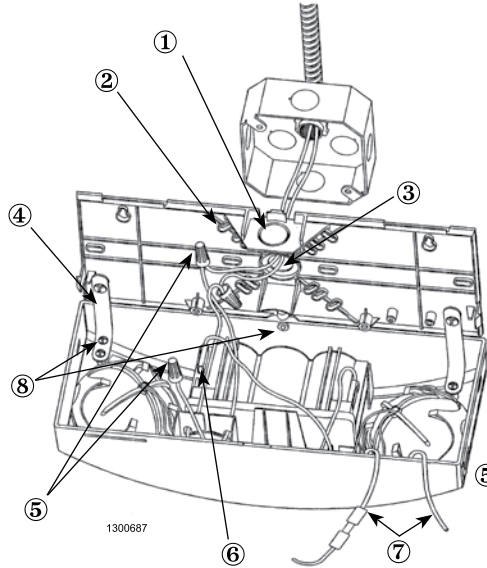
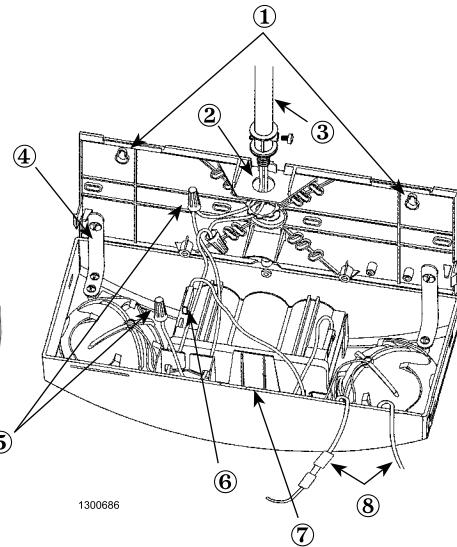


Fig. 2

### Wall Mount - Surface Wiring (Top Power Feed Only)



### Installing The Unit: Wall Or Ceiling Mount - Back Power Feed (Fig. 1)

1. Remove center 3/4" KO in back plate.
  2. Remove appropriate back plate KO's for electrical box screws.
  3. Feed wires through center KO and mount back plate to electrical box.
  4. Attach unit housing to back plate by plastic hinge straps provided.
  5. Connect building wires to transformer leads. Black and white wires for 120VAC (use wire nut to cap off red wire). Red and white wires for 277VAC (use wire nut to cap off black wire).
  6. Connect red circuit board lead to (+) battery terminal.
  7. Remote capacity models only: connect remote lighting load to yellow and (fused) blue pigtail leads provided.
  8. The LZ2 and LZ15 may be ceiling mounted (through the back plate) by ensuring the plastic tabs in the back plate are securely attached to the front housing. In addition, the safety screw must be installed from the outside of the housing through the reinforced boss located at the mid-point of the housing. No. 8 security screw is shipped inserted in plastic hinge strap (see illustration above). Use pointed tool to remove KO at bottom center of unit chassis. After closing unit, install security screw through bottom KO and tighten.
- IMPORTANT:** Safety security screw is not mandatory in standard wall mount application but may be installed if desired. The screw must be installed for ceiling mount.
9. To complete the installation see Final Assembly instructions on next page.

### Installing The Unit: Wall Mount - Surface Wiring (Top Power Feed Only) (Fig. 2)

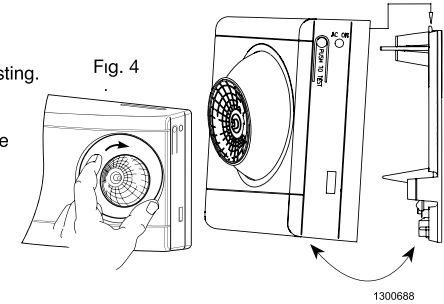
1. Remove keyhole KO's in back plate and mount to wall.
2. Remove conduit entry KO at top flange of back plate.
3. Secure conduit (or surface raceway) to KO and feed wires.
4. Attach unit housing to back plate by plastic hinge straps provided.
5. Connect building wires to transformer leads. Black and white wires for 120VAC (use wire nut to cap off red wire). Red and white wires for 277VAC (use wire nut to cap off black wire).
6. Connect red circuit board lead to (+) battery terminal.
7. Remove arch KO in the top of the unit housing.
8. Remote capacity models only: connect remote lighting load to yellow and (fused) blue pigtail leads provided.
9. To complete the installation see Final Assembly instructions on next page.

### Installing The Unit: Final Assembly - All Models

1. Dress wires neatly to prevent pinching.
2. Align housing slots over back plate tabs (Fig 3).
3. Pivot housing and snap closed (Fig. 3).
4. Energize unit. Charge a minimum of 24 hours prior to testing.
5. Aiming the lamps (Fig 4):  
Standard units - press test switch and hold.  
Spectron® equipped units - press test switch once for one minute lamp illumination.

Fig. 3

Fig. 4



## OPERATION

When the AC circuit is initially energized, the status lamp on standard units will typically stay at full brilliance for several hours before fading to a "dim" state, indicating the battery has charged to its normal float level. On Spectron® equipped models, the green Status LED is illuminated when AC power is present.

**NOTE:** All models are supplied with an AC Lockout circuit, which prevents the emergency lights from illuminating when the battery is connected and no AC power is present.

**NOTE:** All models are supplied with a Low Voltage Disconnect circuit, which prevents damage to the battery from deep discharge during prolonged emergency operation.

**NOTE:** Batteries are often shipped in a discharged state - this is normal. The battery will require charging. Allow several hours of charge before testing the unit.

### Models With SPECTRON® Self-Testing/Self-Diagnostic Circuitry

**IMPORTANT:** LZ30I-03L must be loaded to at least 15 watts using built-in (integral) lamps and remote lamp heads. Models equipped with the Spectron self-testing/self-diagnostic electronics system provide:

- Visual indication of AC power status
- Visual indication of self-diagnostic test cycles
- Visual indication of any unit malfunctions including—
- **Battery fault**   ■ **Transfer Fault**   ■ **Charger fault**   ■ **Emergency Lamp fault**

Spectron equipped units also include:

**Brownout protection:** unit will automatically transfer to emergency operation upon detection of low AC power (approximately 80% of nominal line).

**Time Delay Retransfer:** upon return of normal AC power, unit will remain in the emergency mode for an additional 15 minutes to allow AC power to stabilize.

#### LED Status Indicators

Two status indicators, one green and one red, are provided on the control panel of all models equipped with the Spectron option.

#### Green Operating Status LED

The green Operating Status LED serves as both an AC power and a self-test indicator. During normal operation, the green Operating Status LED will be illuminated, indicating the presence of AC power. During all automatic or manual self-test cycles, the green Operating Status LED will blink at a 1 Hz. rate.

#### Red Service Alert LED

Under normal operating conditions, the red Service Alert LED indicator will remain "off". In the event the Spectron controller detects a malfunction, the red Service Alert LED will blink at a 1 Hz. rate, based on the following table:

Red Status LED Code	Description
One blink ON/pause	Battery not connected
Two blinks ON/pause	Battery fault
Three blinks ON/pause	Charger fault
Four blinks ON/pause	Transfer circuit fault
Five blinks ON/pause	Emergency Lamp fault

#### Automatic Tests

The unit will automatically initiate a self-test/self-diagnostic cycle based on the following table:

Testing Period	Duration of Test
Once a month	1 minute
Once every 6 months	30 minutes

#### Manual Tests

Using the unit test switch, users can initiate different duration test cycles based on the following table:

Initiating Action	Test Cycle
Press test switch once	1 minute
Press test switch twice	5 minutes
Press test switch three times	30 minutes
Press test switch four times	60 minutes

Pressing the test switch at any time after a test cycle has begun cancels the remainder of the test and returns the unit to normal operation.