



KIM LIGHTING

16555 East Gale Avenue
City of Industry, CA 91745-1788
626/968-5666 • FAX 626/968-5716



HUBBELL
Lighting



AR/SAR



ET/SET



STL/STS

PicoEmitter™ Installation Instructions AR/SAR, ET/SET, STL/STS



WARNING: Fixtures must be grounded in accordance with local codes or the National Electrical Code. Failure to do so may result in serious personal injury.



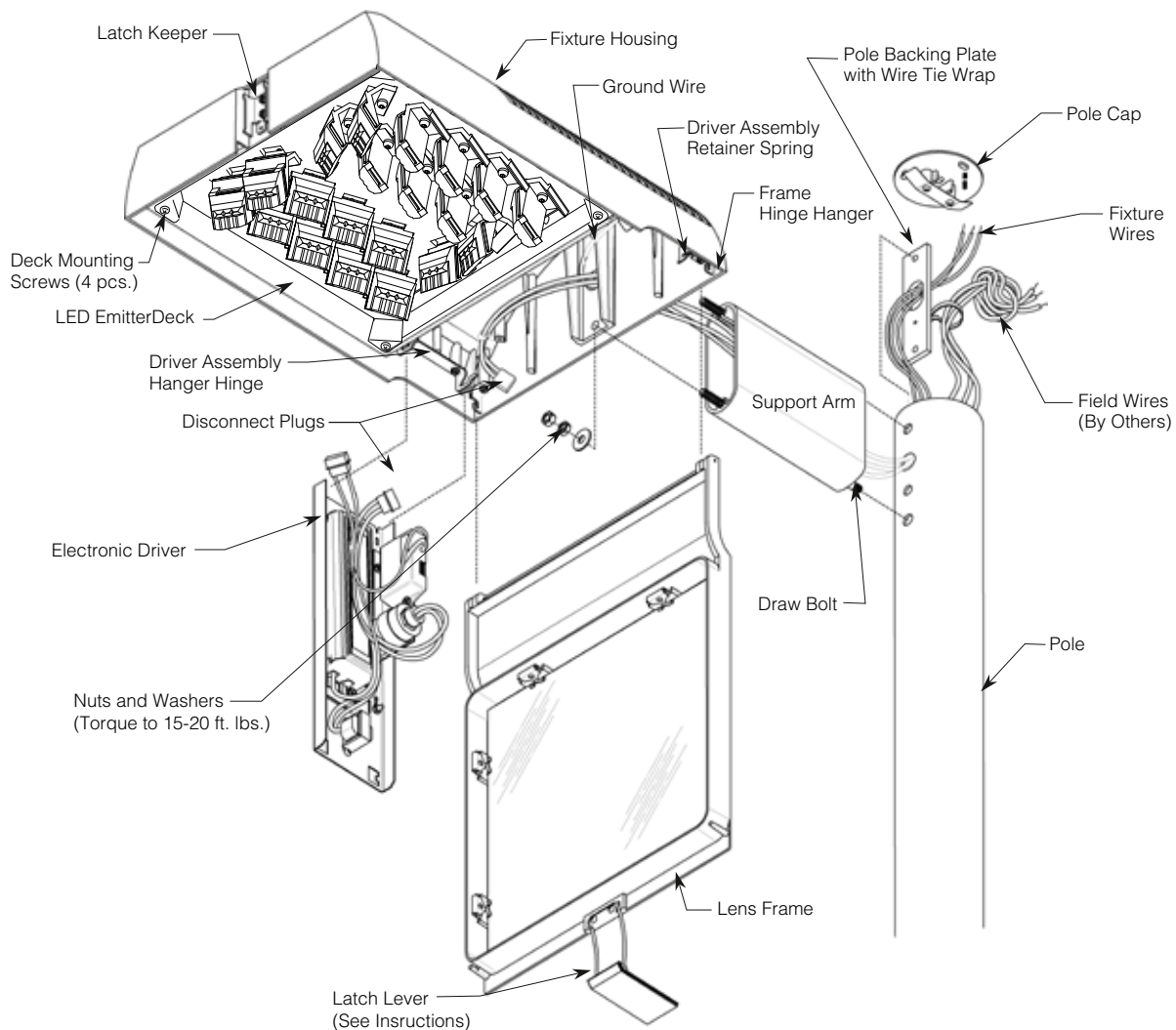
MAINTENANCE INSTRUCTIONS: Make certain electricity is **off** before beginning maintenance procedures

1. For opening and closing of the fixture, refer to instructions and diagrams on other side of sheet.
2. A regularly scheduled maintenance program should be established to retain optimum light output and reduce heat retention. Dusting with a soft, clean, dry cloth is normally sufficient for the optics.

Do not use alkaline or acid cleaners on reflector surfaces.

NOTE: All wiring must be done by a qualified electrician.

KEEP THIS SHEET FOR FUTURE REFERENCE.



PicoEmitter™ Installation Instructions AR/SAR, ET/SET, STL/STS

LATCH LEVER OPENING/CLOSING: AR/SAR



1. Push up on frame and hold.
2. Pull latch lever up and out of keeper to open or on to keeper to close.

NOTE: If latch has tamper-resistant screw, use Allen wrench to remove.

CAUTION: Always hold lens frame. Damage may occur if lens frame is allowed to swing freely.

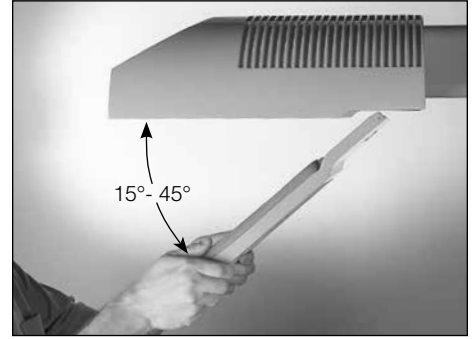
THUMB LATCH: OPENING/CLOSING: ET/SET, STL/STS



1. While holding lens frame with both hands, push both spring tabs simultaneously outward using thumbs.

CAUTION: Always hold lens frame. Damage may occur if lens frame is allowed to swing freely.

FRAME REMOVAL/INSTALLATION: AR/SAR, ET/SET, STL/STS



1. Open latch
2. Carefully move lens frame to a 15° to 45° angle with fixture to unhook from hinge hanger

NOTE: Frame can only be removed or attached when located between 15° and 45° angle with fixture. AR/SAR is shown..

FIXTURE ATTACHMENT TO POLE:

Tools Required:

- Flat Blade Screwdriver
- 3/32" Allen Wrench
- Torque Wrench
- Ratchet with 9/16" 6 or 12 point deep socket



Make certain electrical power is **off** before starting installation.

1. Remove lens frame from fixture (see diagrams at above).
2. Lay pole horizontally on padded supports to protect finish.
3. Pull field wires through pole and out the top. Tie-wrap wires to pole backing plate. Tie field wires in a knot or backloop through tie-wrap.
4. Hold pole backing plate inside pole and thread draw bolts into backing plate. Slide support arm over draw bolts.
NOTE: Arm will have a circular cut end to fit a round pole.
5. Feed fixture wires through arm, pole, backing plate and out pole top. Mount fixture to arm (see diagram on front) using washers and thin jam nuts torqued to 15-20 ft.-lbs. Secure with thick nuts over jam nuts. Make sure fixture is square with pole before raising pole.
6. Connect fixture wires to field wires observing polarity i.e. green-to-ground white-to-common and black-to-voltage.

Optional Photocell: See Instruction Sheet #95469.

Optional Wallmount: See Instruction Sheet #95294.

DRIVER INSTALLATION:



Make certain electricity is **off** before starting installation.

1. Grasp assembly with both hands and hook it onto hanger hinges inside the compartment.
2. Join the disconnect plug halves between the EmitterDeck and the driver assembly. Then join the disconnect plug halves between the power lead-in and the driver assembly.
3. Swing the driver assembly into the housing and onto retainer spring tabs (make sure both retainer spring tabs are engaged and assembly is properly seated on hinges).

MAINTENANCE INSTRUCTIONS:



Make certain electricity is **off** before beginning maintenance procedures

1. For opening and closing of the fixture, refer to instructions and diagrams on other side of sheet.
2. A regularly scheduled maintenance program should be established to retain optimum light output and reduce heat retention. Dusting with a soft, clean, dry cloth is normally sufficient for the optics.

Do not use alkaline or acid cleaners on reflector surfaces.

PICOEMITTER LED LUMINAIRE WARRANTY

When properly installed and under normal conditions of use, Kim Lighting warrants PicoEmitter luminaire products ("Product(s)") sold by Kim Lighting to be free from defects in material and workmanship for (i) a period of five (5) years for metal parts, (ii) a period of ten (10) years for exterior housing paint finish(s), and, (iii) a period of six (6) years for LED Light Engines () and, (iv) a period of five (5) years for LED power components (LED Driver, LifeShield Device.), from the date of sale of such goods to the buyer as specified in Kim Lighting shipment documents for each Product(s). Occupancy sensors, surge protectors, dimmers and relay wiring components are covered by the manufacturer's warranty. The buyer agrees to make all claims regarding defects or deficiencies in the Product(s) according to the terms of Kim Lighting's official warranty. Warranty claims must be made in writing according to Kim Lighting procedures existing at the time of the claim. Valid warranty claims must be made within the warranty period specified herein above, and submitted within thirty (30) days of discovery of the damage or defect. No FIELD labor, repair, DISMANTLE, or installation charges are included with this warranty. Kim Lighting may repair or replace any Product(s) covered by this warranty at its sole discretion and in accordance with its procedure. Any unauthorized return, repair, replacement or modification of the Product(s) shall avoid this warranty. This warranty applies only to the use of the Product(s) as intended by Kim Lighting and does not cover any misapplication or misuse of said Product(s), or installation in hazardous or corrosive environments. In no event shall Kim Lighting's total liability for any reason arising hereunder exceed the purchase price paid to Kim Lighting for the product purchased by the buyer hereunder. Contact Kim Lighting for complete warranty language, exceptions, and limitations.

HID-TO-LED UPGRADE KIT WARRANTY

When properly installed and under normal conditions of use, Kim Lighting warrants LED Upgrade Kit products ("Product(s)") sold by Kim Lighting to be free from defects for (i) a period of five (5) years for LED Light Engines (), (ii) a period of five (5) years for LED power components (LED Driver, LifeShield Device), and (iii) for a period of five (5) years for the re-used metal housing components of the existing luminaire from the date of sale of the LED Upgrade Kit to the buyer as specified in Kim Lighting shipment documents for each Product(s). Conditions and limitations of the re-used metal housing component warranty are as follows: 1) Existing luminaire must have been purchased within 15 years prior to the date of sale of the Upgrade Kit, 2) Poles, arms, accessories, and options are excluded, 3) Products installed in harsh or hazardous environments are excluded, 4) Warranty covers defects in material and workmanship in excess of the normal wear and tear to which the luminaire can normally be expected to experience at the judgment of Kim Lighting from the baseline condition of the luminaire at the time of installation and registration of the LED Upgrade Kit, 5) Owner must within 30 days of shipment of the LED Upgrade Kit by Kim Lighting register the project by emailing at least five (5) photo images of at least three (3) upgraded housings to upgrade@kimlighting.com referencing the project name and location, LED Upgrade Kit purchase order number, and approximate purchase date of the existing housing(s). Failure to provide complete registration information within the required 30 days will dissolve the five year housing warranty. 6) Kim Lighting reserves the right to deny the five year metal housing component warranty extension upon review of the submitted product images if the existing/original condition of the product indicates substantially excessive wear and tear beyond normal expectations given the product age. 7) Paint/finish of the fixture housing is excluded from this warranty for fixtures that have been installed for more than ten (10) years prior to the application of LED Upgrade Kit. Occupancy sensors, LED surge protectors, dimmers and relay wiring components are covered by the manufacturer's warranty and are not included as part of Kim Lighting warranty. The buyer agrees to make all claims regarding defects or deficiencies in the Product(s) according to the terms of Kim Lighting's official warranty. Warranty claims must be made in writing according to Kim Lighting procedures existing at the time of the claim. Valid warranty claims must be made within the warranty period specified herein above, and submitted within thirty (30) days of discovery of the damage or defect. No FIELD labor, repair, DISMANTLE, or installation charges are included with this warranty. Kim Lighting may repair or replace any Product(s) covered by this warranty at its sole discretion and in accordance with its procedure. Any unauthorized return, repair, replacement or modification of the Product(s) shall avoid this warranty. This warranty applies only to the use of the Product(s) as intended by Kim Lighting and does not cover any misapplication or misuse of said Product(s), or installation in hazardous or corrosive environments. In no event shall Kim Lighting's total liability for any reason arising hereunder exceed the purchase price paid to Kim Lighting for the product purchased by the buyer hereunder. Contact Kim Lighting for complete warranty language, exceptions, and limitations.

