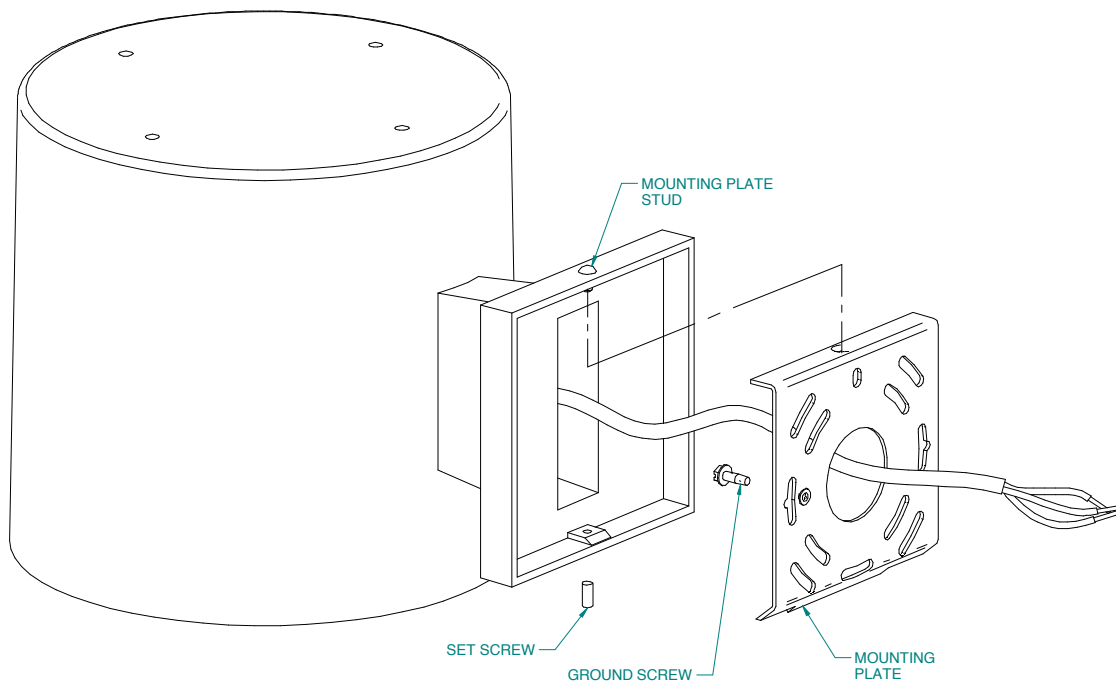


IMPORTANT SAFETY INFORMATION. READ AND FOLLOW ALL SAFETY INSTRUCTIONS. Follow label information and instructions concerning Wet or Damp Locations, installation near combustible materials, insulation, building materials, and proper lamping. Do not install in areas subject to combustible vapors or gases. Before wiring to power supply and during servicing or relamping, turn off power at fuse or circuit breaker. **All installation servicing or relamping must be performed by qualified service personnel. Product must be grounded to avoid potential electric shock or other potential hazard. Product must be mounted in locations and at heights and in a manner consistent with its intended use, and in compliance with the National Electrical Code and local codes.** The use of accessory equipment not recommended by the manufacturer or installed contrary to instructions may cause an unsafe condition. Do not block light emanating from product in whole or part, as this may cause an unsafe condition. Do not allow items such as drapes, curtains, screens or the like to come into contact with the product or to block light from the product, as this may cause an unsafe condition.

## LBC6W Wall Mount Installation Instructions

**CAUTION: TO REDUCE THE RISK OF ELECTRICAL SHOCK, MAKE CERTAIN THAT THE POWER IS OFF BEFORE INSTALLING OR SERVICING THIS FIXTURE**



1. Detach mounting plate from cylinder bracket by loosening set screw.
2. Secure mounting plate to wall/J-Box with screws provided by others.
3. Connect black and white fixture wires to the respective black and white supply wires with wire nuts. Attach fixture and supply ground wires to ground screw on mounting plate.
4. Hang fixture on mounting plate by the mounting plate stud.
5. Tighten set screw to secure fixture to the mounting plate.

**NOTE:** In compliance with Underwriters Laboratories Standard UL 1570, 1571, or 1572; the use of a silicone base caulking compound must be used to provide a watertight seal between fixture & mounting surface to prevent electrical wiring from getting wet.

**CAUTION: DO NOT ATTEMPT TO MODIFY OR REWIRE FACTORY-INSTALLED WIRING ON THE FIXTURE. SAFETY AND PROPER OPERATION OF THE FIXTURE DEPEND ON THE INTEGRITY OF THE WIRING.**

**KEEP THESE INSTALLATION INSTRUCTIONS**



® 701 Millennium Boulevard • Greenville, SC 29607

With representative offices in principal cities throughout North America.  
Copyright 2018, 6/21/18 revision, All Rights Reserved - Printed in U.S.A.