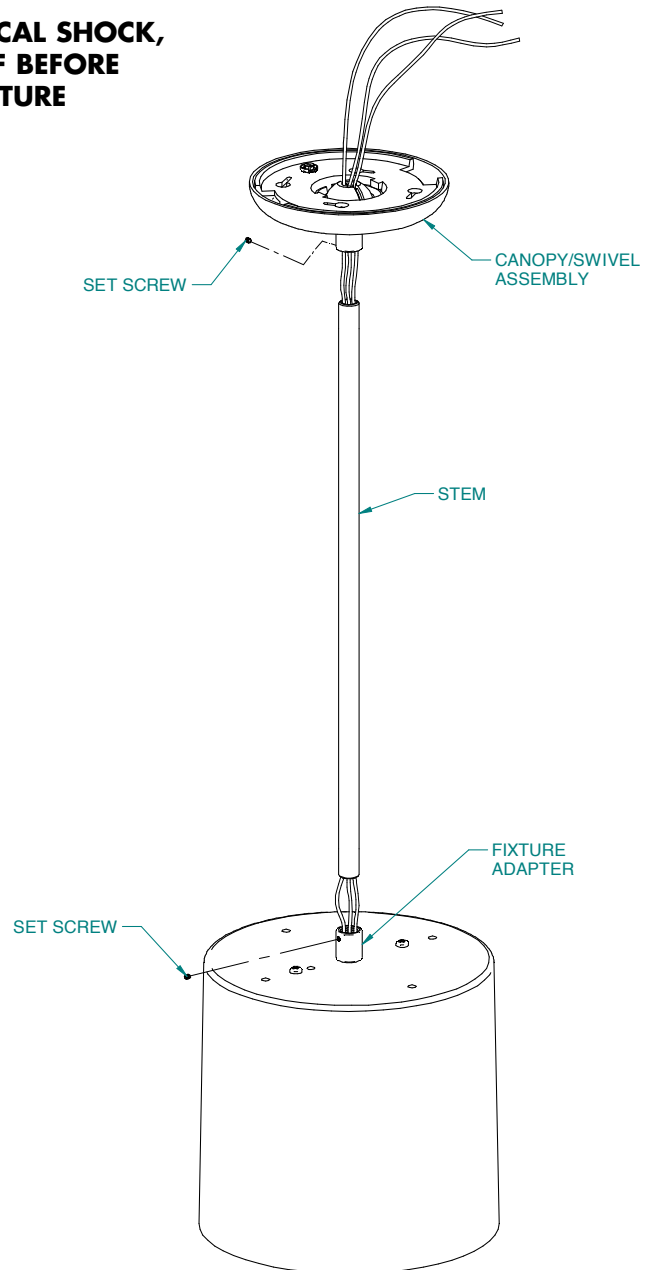


IMPORTANT SAFETY INFORMATION. READ AND FOLLOW ALL SAFETY INSTRUCTIONS. Follow label information and instructions concerning Wet or Damp Locations, installation near combustible materials, insulation, building materials, and proper lamping. Do not install in areas subject to combustible vapors or gases. Before wiring to power supply and during servicing or relamping, turn off power at fuse or circuit breaker. **All installation servicing or relamping must be performed by qualified service personnel. Product must be grounded to avoid potential electric shock or other potential hazard. Product must be mounted in locations and at heights and in a manner consistent with its intended use, and in compliance with the National Electrical Code and local codes.** The use of accessory equipment not recommended by the manufacturer or installed contrary to instructions may cause an unsafe condition. Do not block light emanating from product in whole or part, as this may cause an unsafe condition. Do not allow items such as drapes, curtains, screens or the like to come into contact with the product or to block light from the product, as this may cause an unsafe condition.

LBC6P Pendant Mount Installation Instructions

CAUTION: TO REDUCE THE RISK OF ELECTRICAL SHOCK, MAKE CERTAIN THAT THE POWER IS OFF BEFORE INSTALLING OR SERVICING THIS FIXTURE

1. Insert socket wires through stem and screw stem into adapter on top of the fixture, secure with set screw.
2. Insert socket wires through canopy/swivel assembly, screw stem into assembly and secure with set screw.
3. Rotate and slide canopy cover from mounting plate.
4. Align appropriate keyhole slots in mounting plate with J-Box screws and rotate to lock in place.
5. Connect black and white fixture wires to the respective black and white supply wires with wire nuts. Attach fixture and supply ground wires to ground screw on mounting plate.
6. Re-attach the canopy



CAUTION: DO NOT ATTEMPT TO MODIFY OR REWIRE FACTORY-INSTALLED WIRING ON THE FIXTURE. SAFETY AND PROPER OPERATION OF THE FIXTURE DEPEND ON THE INTEGRITY OF THE WIRING.

KEEP THESE INSTALLATION INSTRUCTIONS

