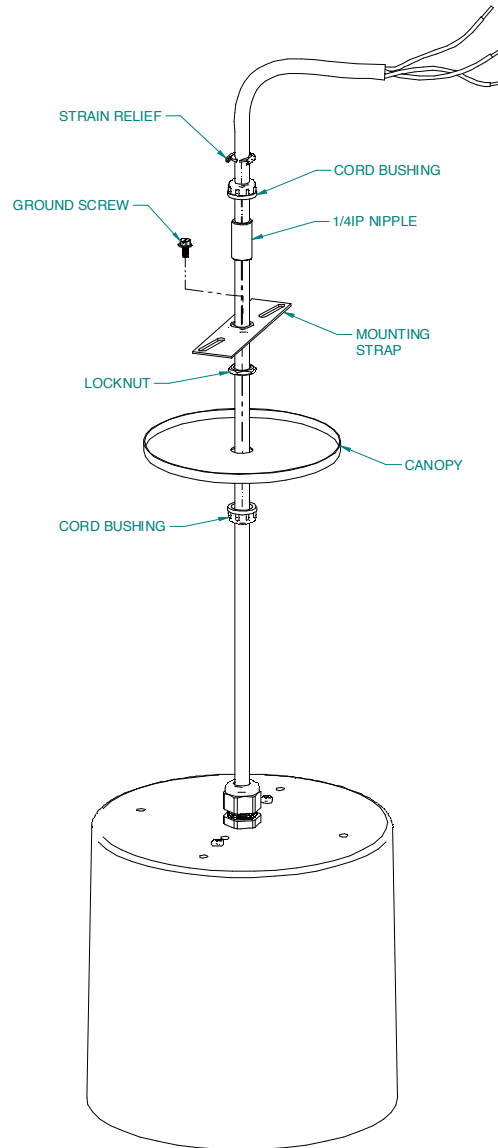


IMPORTANT SAFETY INFORMATION. READ AND FOLLOW ALL SAFETY INSTRUCTIONS. Follow label information and instructions concerning Wet or Damp Locations, installation near combustible materials, insulation, building materials, and proper lamping. Do not install in areas subject to combustible vapors or gases. Before wiring to power supply and during servicing or relamping, turn off power at fuse or circuit breaker. **All installation servicing or relamping must be performed by qualified service personnel. Product must be grounded to avoid potential electric shock or other potential hazard. Product must be mounted in locations and at heights and in a manner consistent with its intended use, and in compliance with the National Electrical Code and local codes.** The use of accessory equipment not recommended by the manufacturer or installed contrary to instructions may cause an unsafe condition. Do not block light emanating from product in whole or part, as this may cause an unsafe condition. Do not allow items such as drapes, curtains, screens or the like to come into contact with the product or to block light from the product, as this may cause an unsafe condition.

LBC6CM Cord Suspension Mount Installation Instructions

CAUTION: TO REDUCE THE RISK OF ELECTRICAL SHOCK, MAKE CERTAIN THAT THE POWER IS OFF BEFORE INSTALLING OR SERVICING THIS FIXTURE

1. Adjust to specified cord height and crimp strain relief above strap taking into account the strap, nipple, and cord bushings.
2. Tie knot in cord to secure fixture
3. Connect black, white, and ground wire to the respective black and white supply wires with wire nuts. Attach cord and supply ground wires to screw on strap.
4. Install mounting strap to J-Box with screws provided by others.
5. Adjust 1/4 IPS nipple so that at least 1/2" will protrudes from the strap or 1/4" when the canopy is installed.
6. Tighten locknut
7. Slide canopy up to J-Box and install cord bushing



CAUTION: DO NOT ATTEMPT TO MODIFY OR REWIRE FACTORY-INSTALLED WIRING ON THE FIXTURE. SAFETY AND PROPER OPERATION OF THE FIXTURE DEPEND ON THE INTEGRITY OF THE WIRING.

KEEP THESE INSTALLATION INSTRUCTIONS

