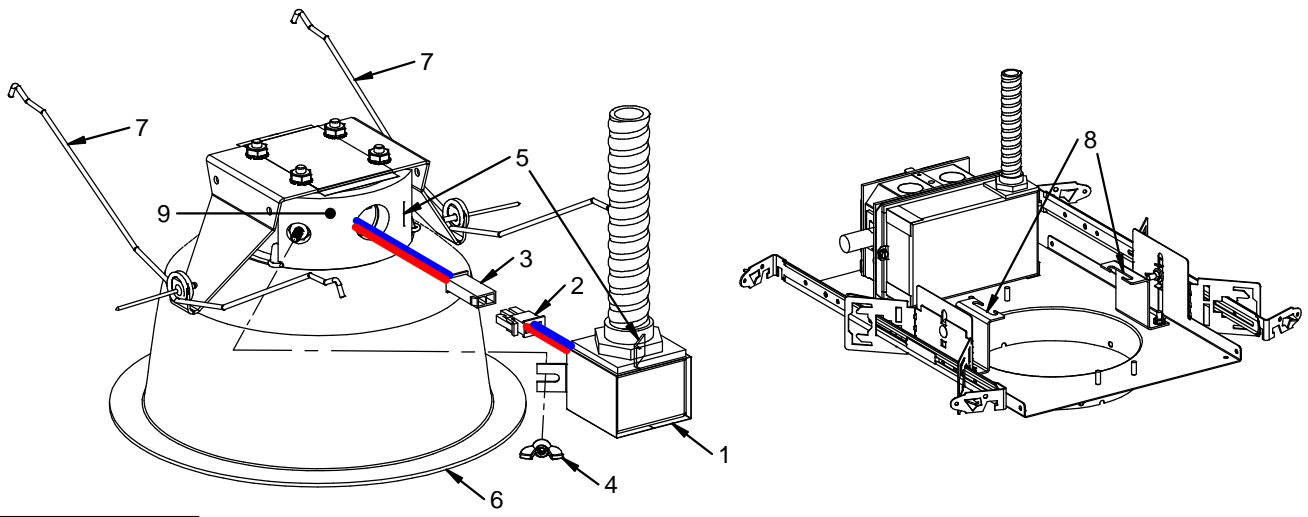


**IMPORTANT SAFETY INFORMATION. READ AND FOLLOW ALL SAFETY INSTRUCTIONS.** Follow label information and instructions concerning Wet or Damp Locations, installation near combustible materials, insulation, building materials, and proper lamping. Do not install in areas subject to combustible vapors or gases. Before wiring to power supply and during servicing or relamping, turn off power at fuse or circuit breaker. **All servicing or relamping must be performed by qualified service personnel. Product must be grounded to avoid potential electric shock or other potential hazard. Product must be mounted in locations and at heights and in a manner consistent with its intended use, and in compliance with the National Electrical Code and local codes.** The use of accessory equipment not recommended by the manufacturer or installed contrary to instructions may cause an unsafe condition. Do not block light emanating from product in whole or part, as this may cause an unsafe condition. Do not allow items such as drapes, curtains, screens or the like to come into contact with the product or to block light from the product, as this may cause an unsafe condition.

## INSTALLATION INSTRUCTIONS LITEFRAME® LC6CP / 6LCCP LC8CP / 8LCCP

**CAUTION: TO REDUCE THE RISK OF ELECTRICAL SHOCK, MAKE CERTAIN THAT THE POWER SUPPLY IS OFF BEFORE INSTALLING OR SERVICING THIS FIXTURE!**

1. Install the fixture in the ceiling using the hanger bars (supplied), or mounting channel or bars (by others) placed in the adjustable mounting brackets. Mount the fixture in the ceiling so that the weight of the fixture is supported by the hanger bars, mounting channel, bar, and/or hanger wires secured to the building structure.
2. Adjust the fixture so the bottom of the plaster flange opening is flush with the finished ceiling line and in alignment with adjacent fixtures. Secure mounting brackets by tightening wing nuts on either side of the fixture.
3. Determine where the supply wiring conduit will enter the J-Box and attach it in conformance with the National Electric Code.
4. Remove J-Box cover plate. Remove appropriate knockout and assemble appropriate connector for the supply wire used. Connect ground wires to green ground leads. Connect white (common) to white (leads). Connect power supply (line) to black lead(s). Reinstall J-Box cover. **WARNING: DO NOT pinch wires between J-Box/ballast cover and J-Box. Consult a qualified electrician for all other options that require other wiring configurations.**
5. Pull electrical cover (1) down through opening in fixture.
6. Insert connector (2) into connector (3) and snap firmly together.
7. Carefully put wires and connectors (2) & (3) into cover (1). Place tab (5) into slot of reflector (6) and close cover (1) over gasket (9) on reflector (6). Use wing nut (4) to securely fasten cover (1) to reflector (6) (DO NOT OVERTIGHTEN). Make sure there are no wires pinched between item (1) and item (6).
8. Squeeze two torsion springs (7) together and insert ends into two brackets (8). Push trim assembly up towards ceiling until springs draw trim firmly against the ceiling.



701 Millennium Blvd • Greenville, SC 29607  
With representatives offices in principal cities throughout North America.  
Copyright 2018, 06/26/18 revision, All Rights Reserved

Hubbell Lighting, Inc.

