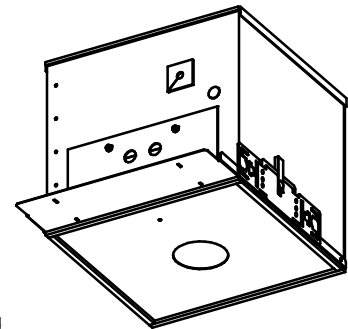


**IMPORTANT SAFETY INFORMATION. READ AND FOLLOW ALL SAFETY INSTRUCTIONS.** Follow label information and instructions concerning Wet or Damp Locations, installation near combustible materials, insulation, building materials, and proper lamping. Do not install in areas subject to combustible vapors or gases. Before wiring to power supply and during servicing or relamping, turn off power at fuse or circuit breaker. **All servicing or relamping must be performed by qualified service personnel. Product must be grounded to avoid potential electric shock or other potential hazard. Product must be mounted in locations and at heights and in a manner consistent with its intended use, and in compliance with the National Electrical Code and local codes.** The use of accessory equipment not recommended by the manufacturer or installed contrary to instructions may cause an unsafe condition. Do not block light emanating from product in whole or part, as this may cause an unsafe condition. Do not allow items such as drapes, curtains, screens or the like to come into contact with the product or to block light from the product, as this may cause an unsafe condition.

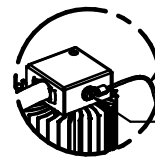
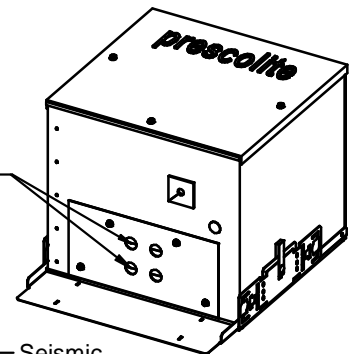
## INSTALLATION INSTRUCTIONS MODEL D2CP

1. The bar hanger brackets are shipped flat. Bend the tabs on the brackets as shown to allow the use of accessory mounting channels or bar hangers (Prescolite B6, B24, or by others). Mount the frame in the ceiling so that the weight of the assembly is safely supported by the mounting channel or bar and/or hanger wires secured to the building structure.
2. Remove the top of the housing and adjust the frame so the bottom surface is flush with the ceiling material mounting surface (backside of the ceiling material) and in alignment with adjacent fixtures. Secure the mounting brackets by tightening wing nuts on either side of the frame inside the D2CP housing.
3. **Important! When the ceiling material is added (covering the D2CP) make sure the D2CP is flush with the back side of the ceiling material and solidly mounted. Mark the fixture installation location accurately so the hole cut-through location will be accurate!**
4. These are four 3/8" MC flexible conduit entry points located on the rear cover plate of the D2CP to allow the **UNENERGIZED** line voltage and control (0-10V dimming) flexible conduit to be inserted into the housing until they are used when the D2LED fixture is wired and installed. There are four conduit gaskets included with the D2CP housing to be used if needed to seal the conduit opening further after the flexible conduit is installed. There is also a tether cable mounted inside the housing to be attached to the D2LED fixture in the case of seismic conditions at the install location. This tether, if needed, should be attached to the screw on the light engine (see Detail A) after the wiring is complete and the J-tube is inserted in the ceiling, but before fixture is installed.
5. Install the D2LED fixture per the instruction sheet provided with the fixture.
6. **WARNING: DO NOT pinch wires between J-tube cover and J-tube endplates. Consult a Qualified Electrician for all other options that require other wiring configurations.**



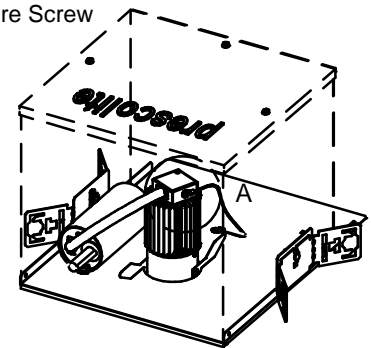
EXTRA  
CONDUIT  
GASKETS

3/8" Flexible  
Conduit  
Entry Points



DETAIL A

Seismic  
Tether  
D2LED  
Fixture Screw



D2CP WITH D2LED INSTALLED

**CAUTION: DO NOT ATTEMPT TO MODIFY OR REWIRE FACTORY-INSTALLED WIRING ON THE FIXTURE. SAFETY AND PROPER OPERATION OF THE FIXTURE DEPEND ON THE INTEGRITY OF THE WIRING.**

KEEP THESE INSTALLATION INSTRUCTIONS



Hubbell Lighting, Inc.

701 Millennium Blvd • Greenville, SC 29607  
With representatives offices in principal cities throughout North America.  
Copyright 2018, 06/26/18 revision, All Rights Reserved - Printed in U.S.A.

