

REMEDI™

4' Multi-Function Patient Bed Light

CAUTION! – READ THIS FIRST - IMPORTANT SAFETY INSTRUCTIONS

*Carefully read the instructions pertaining to your fixture. IF YOU HAVE ANY QUESTIONS REGARDING THE PROPER INSTALLATION OR LOCAL CODES, CONSULT A QUALIFIED ELECTRICIAN.

*To avoid shock hazard, do not work with live electrical wires.

*Install the fixture in only indoor applications.

*Do not install outdoors or in applications other than the intended use.

*Install and wire the fixture in locations in compliance with the National Electric Code and any local codes.

*Do not remove any protective films over the lens or reflectors until installation is complete. Do not energize the fixture without removing the protective films from the lens or reflectors.

WARNING: THIS PRODUCT MUST BE INSTALLED IN COMPLIANCE WITH THE NATIONAL ELECTRICAL CODE AND/OR ANY LOCAL CODES BY A PERSON FAMILIAR WITH THE CONSTRUCTION AND OPERATION OF THE PRODUCT AND THE HAZARDS INVOLVED. IF YOU HAVE ANY QUESTIONS REGARDING THE PROPER INSTALLATION OR LOCAL CODES, CONSULT A QUALIFIED ELECTRICIAN.

WARNING: RISK OF FIRE, MINIMUM OF 90°C SUPPLY CONDUCTOR. CONSULT A QUALIFIED ELECTRICIAN TO ENSURE CORRECT BRANCH CIRCUIT CONDUCTOR.

WARNING: TO AVOID SHOCK HAZARD, DISCONNECT THE POWER AT THE PANEL BOARD (CIRCUIT BREAKER BOX) BEFORE BEGINNING INSTALLATION.

WARNING: INSTALL THE FIXTURE IN ONLY AN INDOOR ENVIRONMENT AND FOR THE INTENDED USE.

WARNING: INJURY TO PERSONS AND DAMAGE TO THE FIXTURE AND/OR MOUNTING SURFACE MAY RESULT IF THE FIXTURE IS PULLED FROM THE SURFACE. TO REDUCE THE LIKELIHOOD OF SUCH INJURY OR DAMAGE, MOUNT ONLY ON A SURFACE THAT IS MECHANICALLY SOUND.

The Remedi luminaire is intended to be installed vertically centered 6'3" above finished floor. Components shown in images may vary based on the configuration ordered. The steps for installation are as follows:

A. MOUNTING THE BACKPLATE

1. Remove the backplate from the packaging. Remove the 6 flat head screws and the two piece wireway covers. If desired, remove the 4 wing nuts and the gear plates to reduce the weight of the backplate for installation. *Figures 1 and 2* detail the wireway and gear plate removal.

2. Position the backplate to the desired mounting location on the wall.

Note: It is recommended to center the fixture vertically at 6'-3" above finished floor for optimum performance.

Make sure that the electrical access hole in the backplate is aligned with the electrical box. Level the fixture and mark the mounting points (points 1-7) shown in *Figure 3*.

3. Position the backplate and install the fasteners. Mount directly to the wall structure or use suitable wall anchors.
4. If removed, replace the gear plates and hand-tighten the 4 wing nuts.

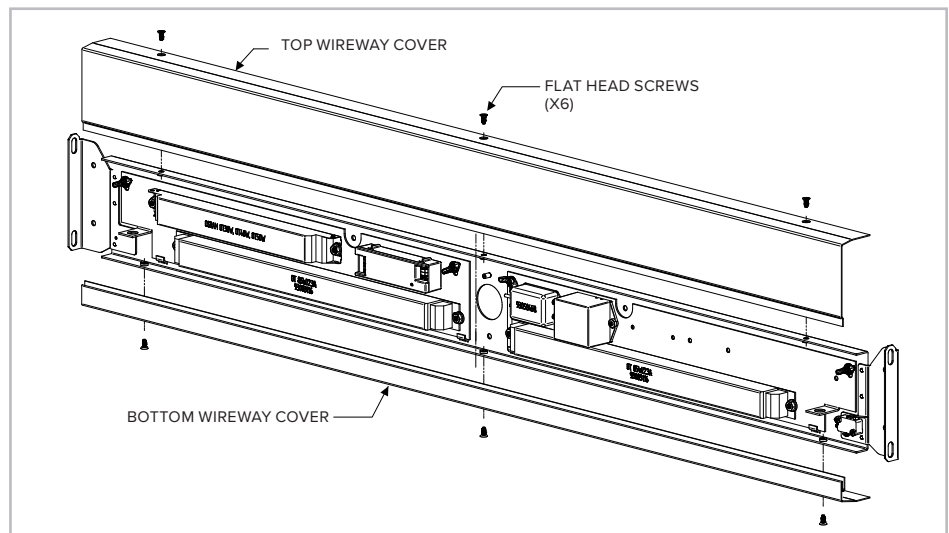


Figure 1: The wireway covers are disassembled by removing (6) flat head screws.

REMEDY™

4' Multi-Function Patient Bed Light

B. MAKING ELECTRICAL CONNECTIONS

Note: The circuit should be shut-off at the breaker before beginning this step.

1. Locate ground and common leads, as well as the input leads for the Ambient, Reading, Exam, Night Light, LVC, and/or Pull Chain loads (depending on product configuration), and connect accordingly. The input leads from the fixture are labeled for identification.
2. If a Low Voltage Controller (LVC) is present, locate the low voltage switching wires of the in-fixture device and terminate to corresponding wiring of the nurse call system (supplied by others). Refer to **Figures 9-19** in Section E for more details on how to connect the LVC option to the nurse call system.
3. If the Bed Safety Switches (BSS) are present, connect the leads from the fixture labeled "BSS" in series with the wiring to the wall receptacle that the motorized patient bed will be plugged into.. See the wiring diagram in **Figure 4**.

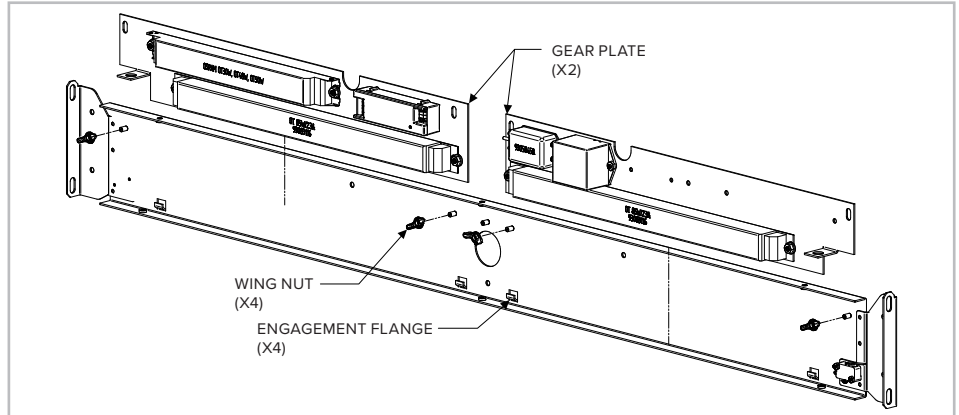


Figure 2: The gear plates may be removed by unfastening (4) wing nuts.

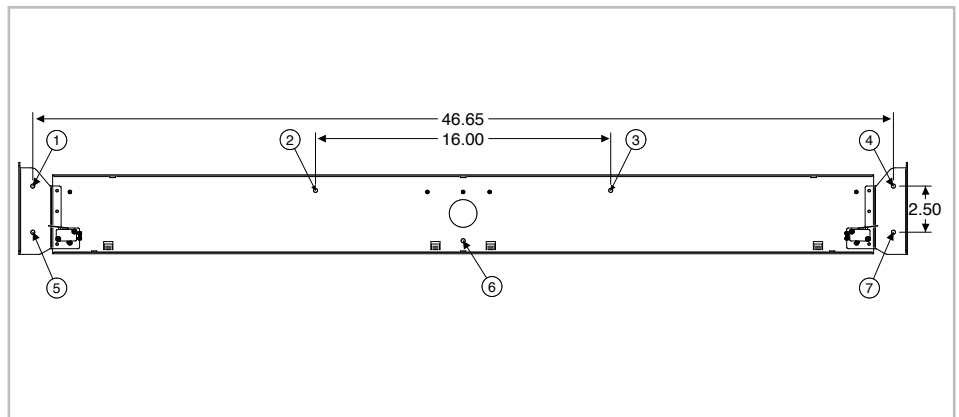


Figure 3: The backplate mounts to the wall in (7) designated locations.

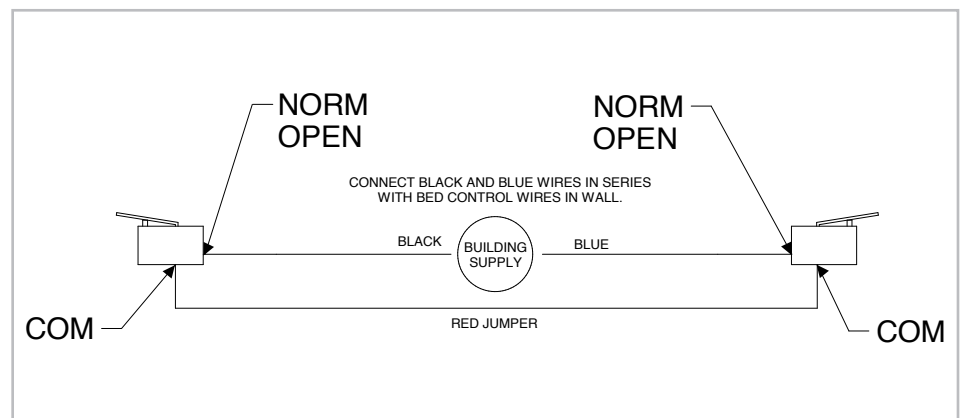


Figure 4: Bed Safety Switch option: cuts off power to the electrical receptacle for the motorized patient bed if the fixture is displaced.

REMEDY™

4' Multi-Function Patient Bed Light

C. INSTALLING THE HOUSING

1. Remove the housing assembly from the packaging.
2. Remove the 4 socket head screws using the supplied 9/64" Allen wrench and the outer end pieces. See *Figure 5*.
3. Align the end flanges of the backplate with the corresponding slots in the end pieces of the housing assembly, and hook the housing assembly onto the backplate. The construction will allow the housing to rest on the vertical back plate flanges. If the bed safety switches are present, ensure that the switch levers are depressed on both ends of the fixture. This step is detailed in *Figure 6A*.
4. Place a provided metal spacer onto a supplied machine screw and fasten through the backplate into one of the threaded bosses in the end piece. Ensure that the metal spacer is fully within the backplate hole and does not pinch the backplate while being installed. Repeat this step so that the housing assembly is fastened to the backplate in all four locations. Confirm that the fixture housing can slide upward along the slot and can return back to the original resting position. This step is detailed in *Figure 6C and 6D*.
5. Feed the LED wire harnesses through the opening in the end pieces, making sure that no wires are pinched. Connect the color-coded wire harnesses at each end of the fixture. If night light switches are present, connect the low voltage wire connector to the module on the right gear plate.

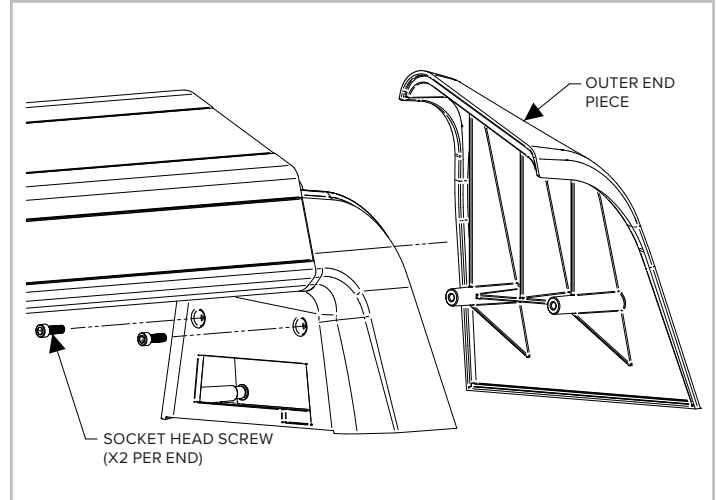


Figure 5: The outer end piece comes off with the removal of two socket head screws.

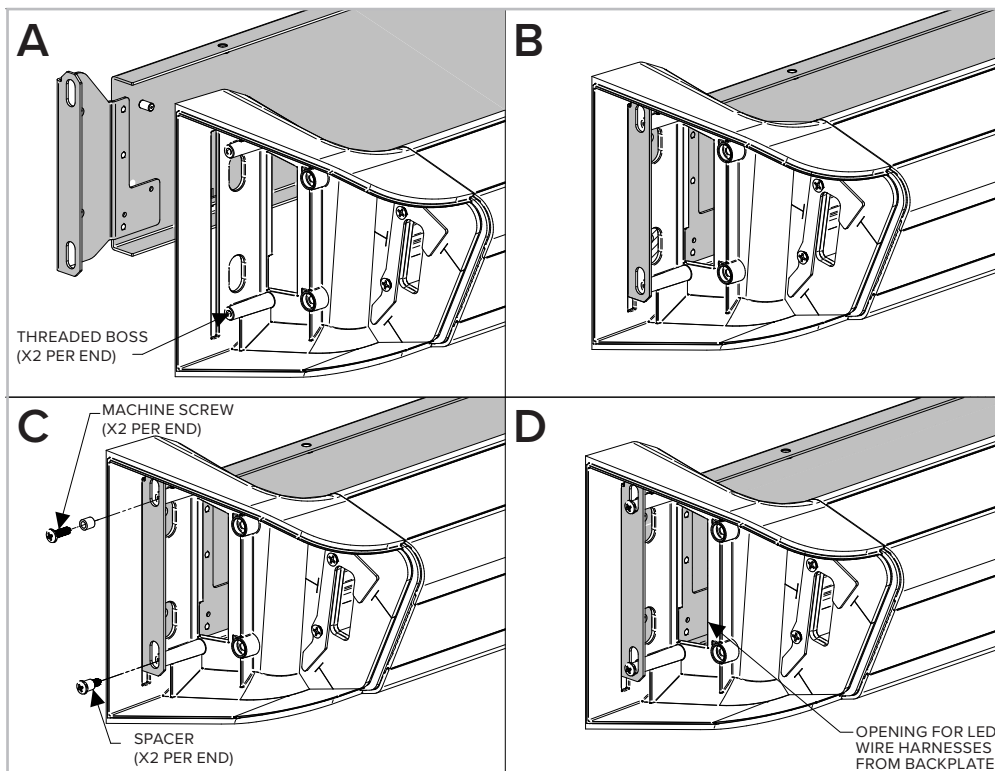


Figure 6: The housing is aligned in step A, placed on the backplate in step B, and fastened in C and D

REMEDY™

4' Multi-Function Patient Bed Light

D. FINAL INSTALLATION STEPS

1. Reinstall the outer end pieces with the 4 socket head screws.
2. Reinstall the two-piece wireway covers with the 6 flat head screws. When reinstalling the wireway covers, ensure that no wires are pinched. Start by installing the lower portion of the cover. If a pull chain is present, attach the plastic extension cord to the chain and feed through the bushing in the lower wireway cover. After the lower portion of the cover has been installed, follow the steps shown in *Figure 7* to attach the pendant to the pull cord. Install the top portion of the cover, making sure to insert it into the lower portion as shown in the cross section in *Figure 8*.

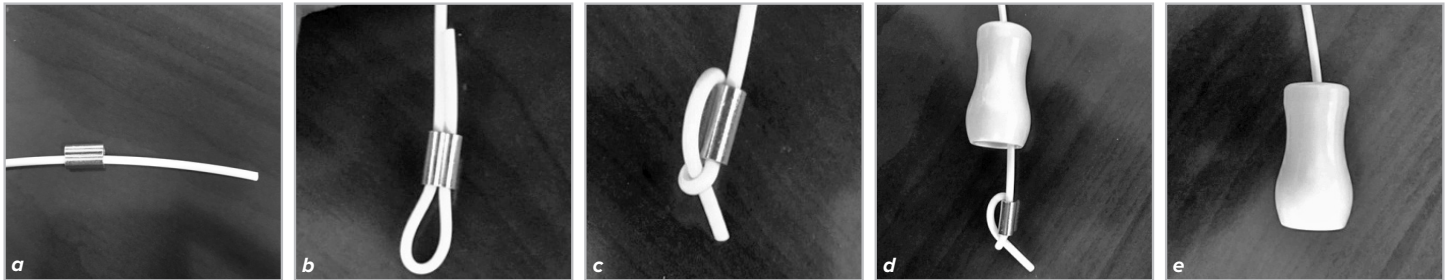


Figure 7: The antimicrobial plastic extension cord is assembled.

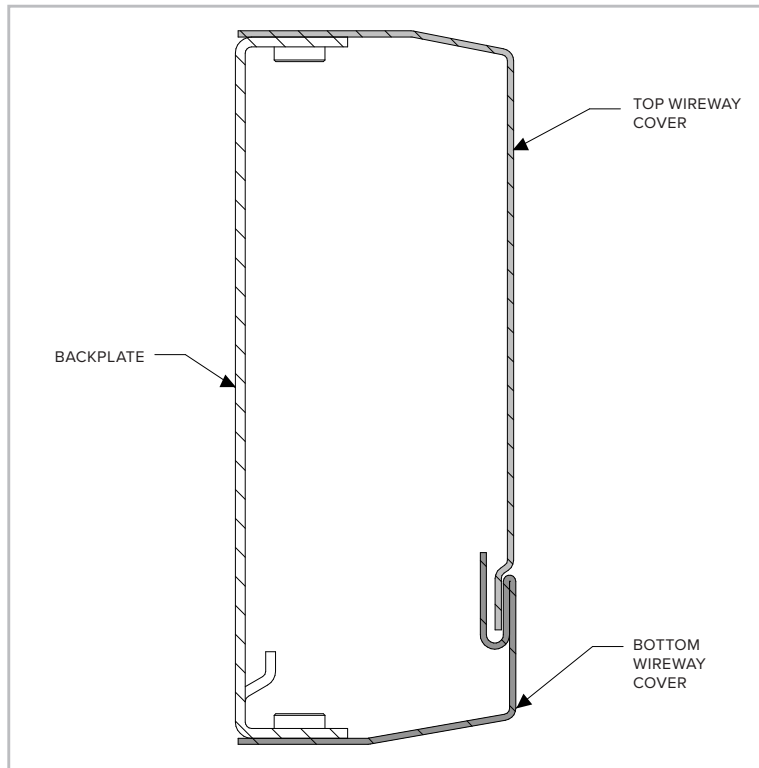


Figure 8: Remedy's two piece wireway cover allows for access to the fixture's components with minimal disassembly.

REMEDY™

4' Multi-Function Patient Bed Light

E. LOW VOLTAGE CONTROL (LVC) CONNECTION

Locate the wiring diagram in Figures 9-19 that matches the selected LVC option. Make the connections shown on the low voltage switch wires within the dashed lines. DO NOT ALTER THE WIRING OF THE LOAD AND/OR DIMMING LEADS IN THE FIXTURE.

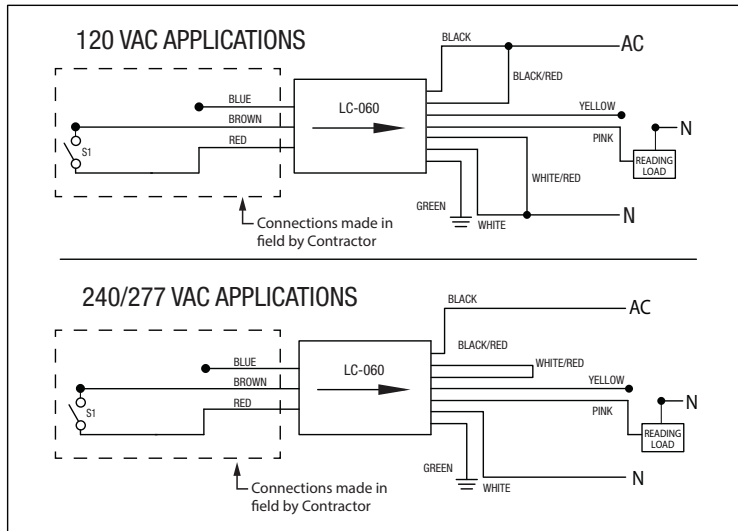


Figure 9: LVC1- Independent control of reading mode with one SPST momentary switch

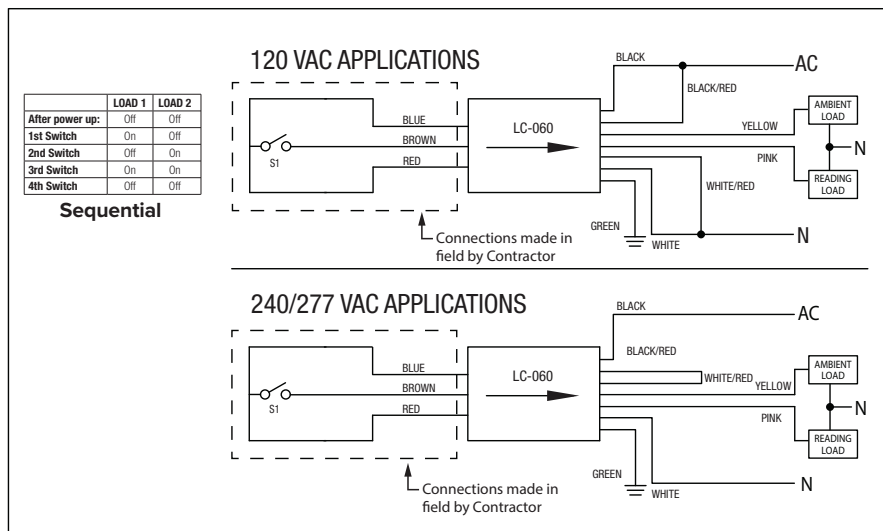


Figure 10: LVC2__- Sequential control of two modes with one SPST momentary switch

REMEDY™

4' Multi-Function Patient Bed Light

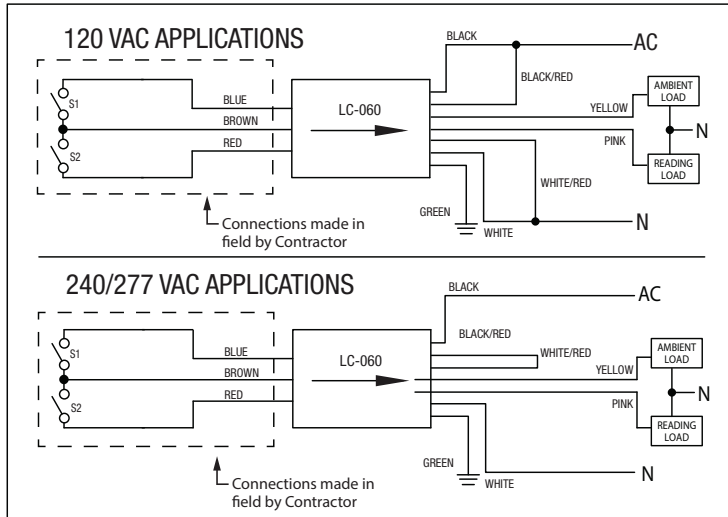


Figure 11: LVC2___ Independent control of two modes with two SPST momentary switch

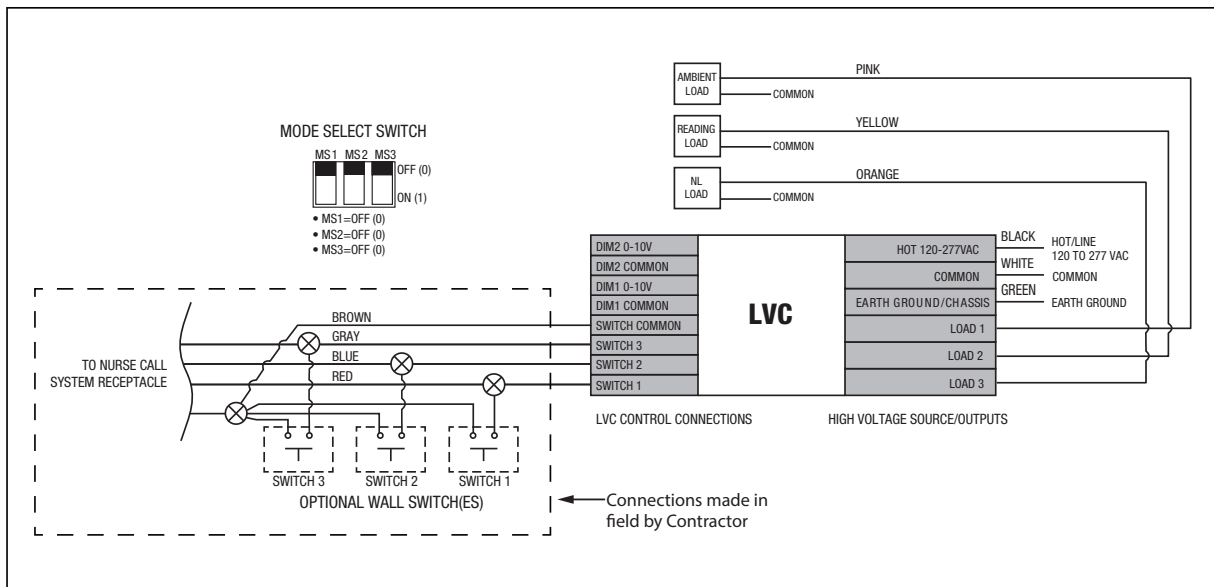


Figure 12: LVC31 - Independent control of all three modes with three SPST momentary switches

REMEDY™

4' Multi-Function Patient Bed Light

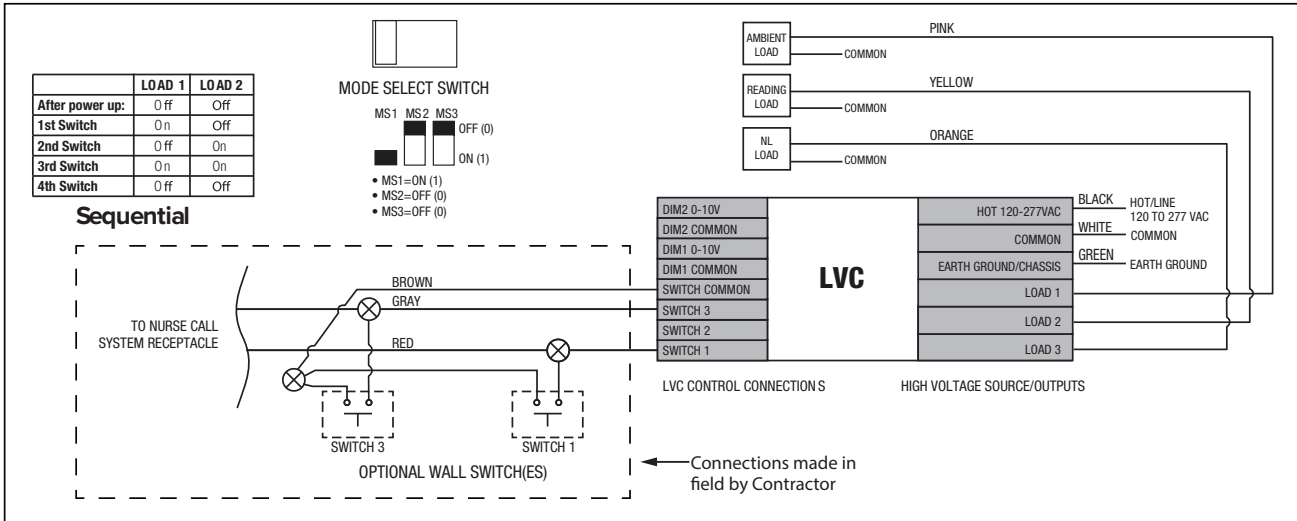


Figure 13: LVC32 - Sequential control of ambient and reading modes with one SPST momentary switch and independent control of night light with second SPST momentary switch

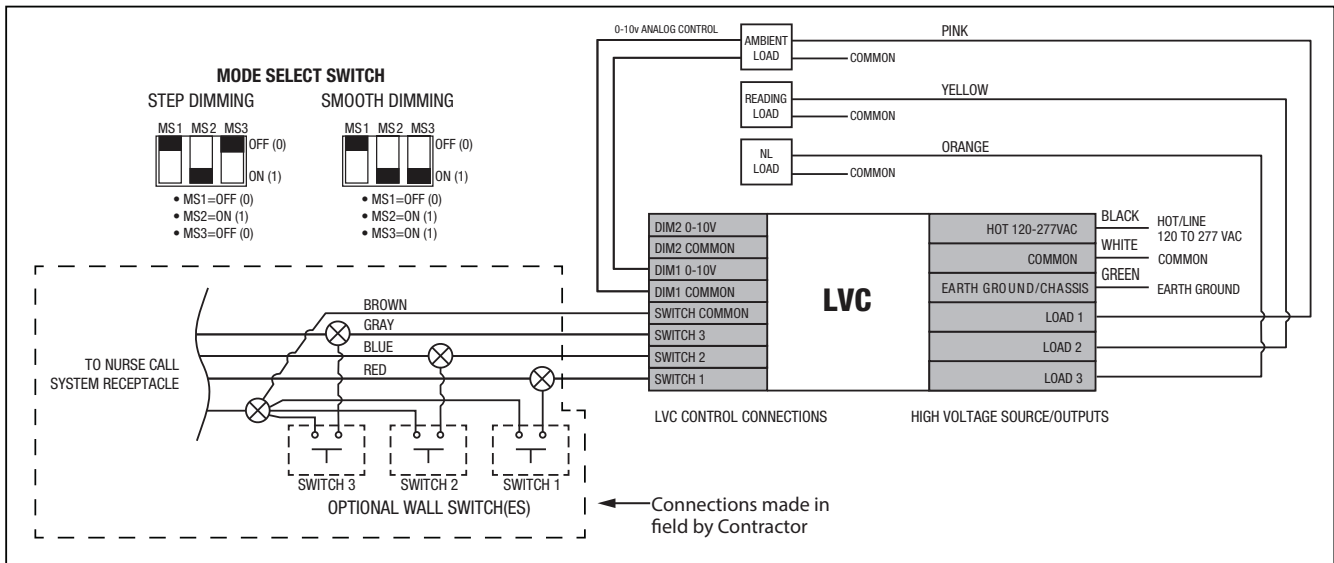


Figure 14: LVCDST1 and LVCDSM1 - Independent dimming control of ambient mode and independent non-dim control of reading mode and night light

REMEDY™

4' Multi-Function Patient Bed Light

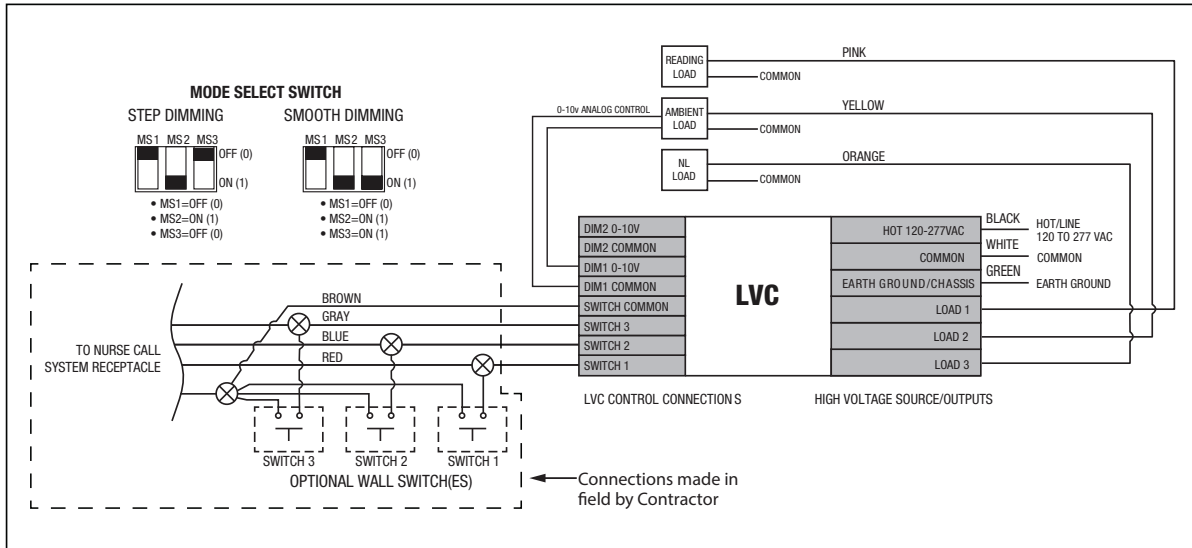


Figure 15: LVC DST2 and LVC DSM2 - Independent dimming control of reading mode and independent non-dim control of ambient mode and night light.

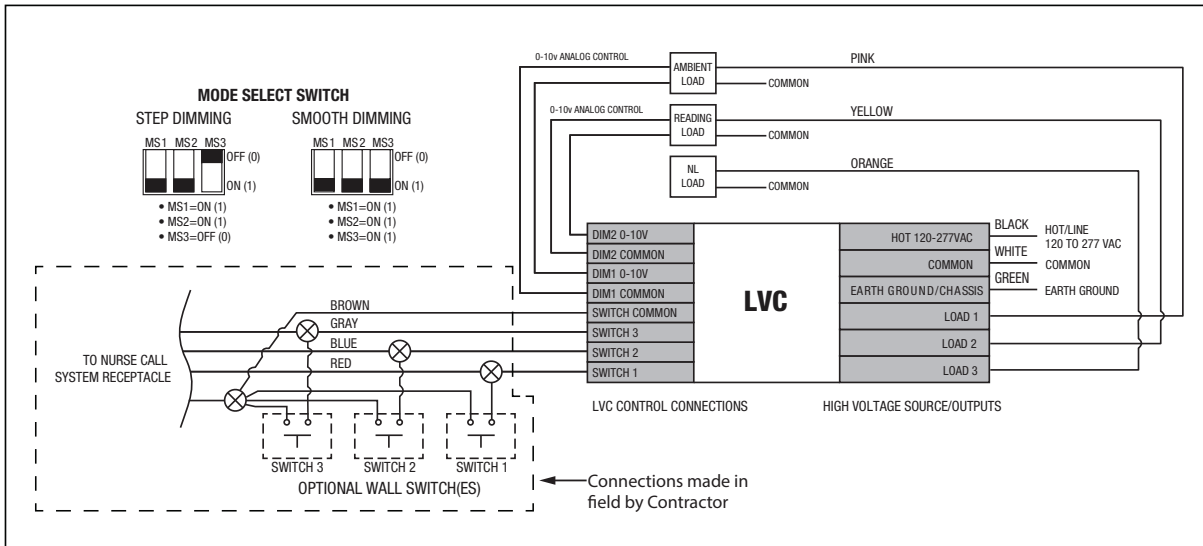


Figure 16: LVC DST3 and LVC DSM3 - Independent dimming control of ambient and reading modes and independent non-dim control of night light

REMEDY™

4' Multi-Function Patient Bed Light

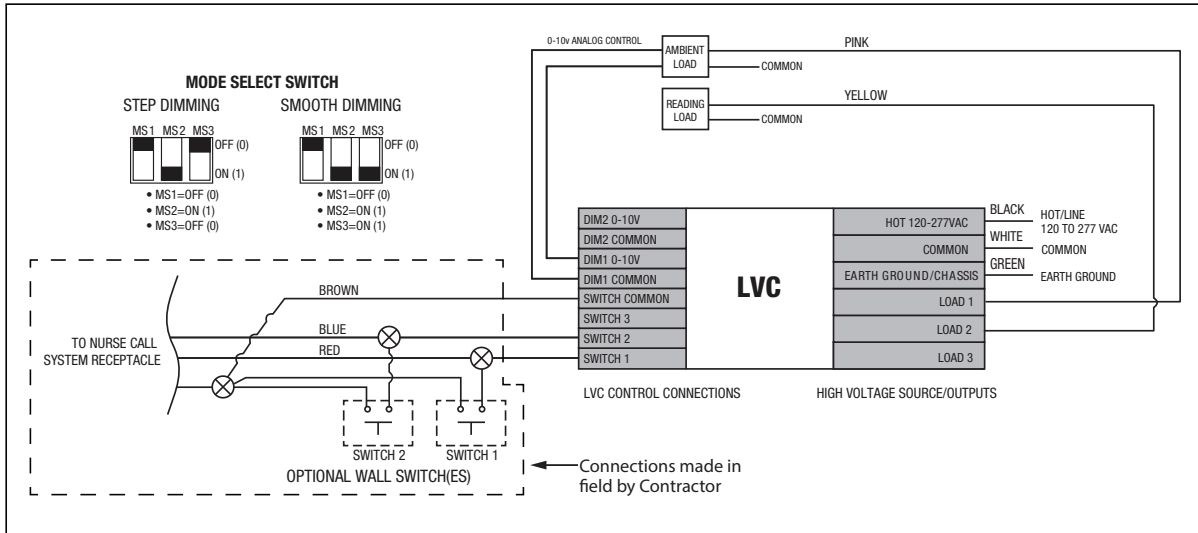


Figure 17: LVCDEST4 and LVCDSM4 - Independent dimming control of ambient mode and Independent non-dim control of reading mode

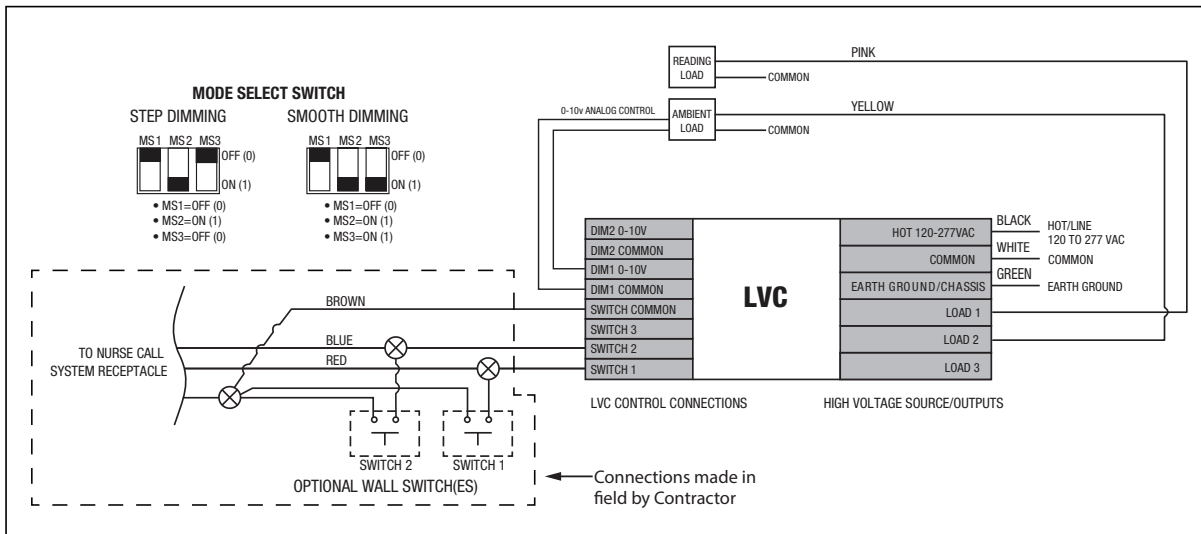


Figure 18: LVCDEST5 and LVCDSM5 - Independent dimming control of reading mode and independent non-dim control of ambient mode

REMEDY™

4' Multi-Function Patient Bed Light

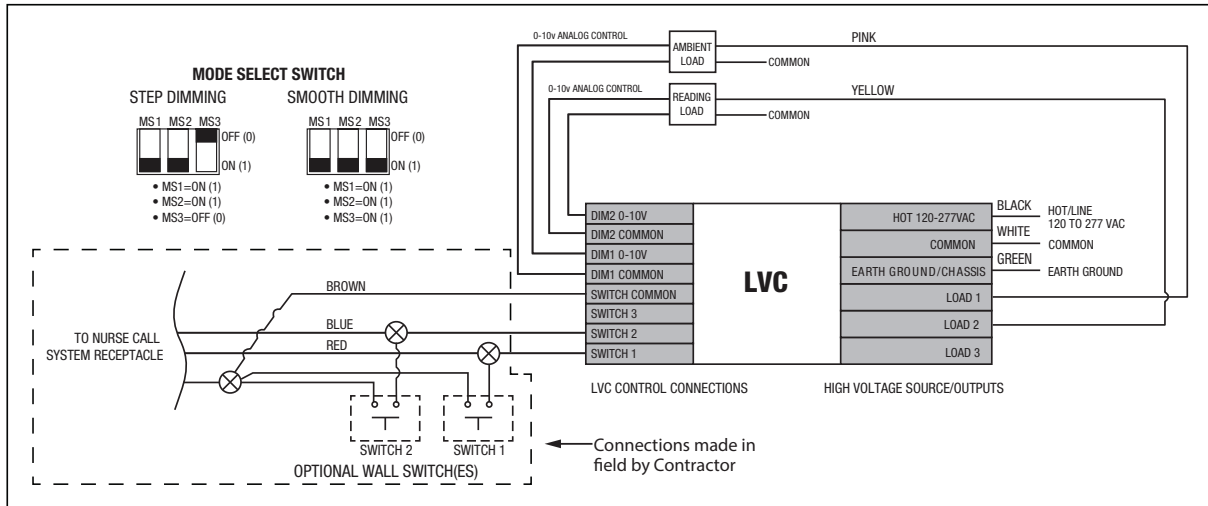


Figure 19: LVC DST6 and LVC DSM6 - Independent dimming control of ambient and reading mode

REPLACEMENT PARTS

Replacement parts can be ordered by contacting Hubbell Lighting at 864-678-1000, Monday-Friday from 8:00am – 5:00pm EST.