

IMPORTANT SAFETY INFORMATION. READ AND FOLLOW ALL SAFETY INSTRUCTIONS. Follow label information and instructions concerning Wet or Damp Locations, installation near combustible materials, insulation, building materials, and proper lamping. Do not install in areas subject to combustible vapors or gases. Before wiring to power supply and during servicing or relamping, turn off power at fuse or circuit breaker. **All servicing or relamping must be performed by qualified service personnel. Product must be grounded to avoid potential electric shock or other potential hazard. Product must be mounted in locations and at heights and in a manner consistent with its intended use, and in compliance with the National Electrical Code and local codes.** The use of accessory equipment not recommended by the manufacturer or installed contrary to instructions may cause an unsafe condition. Do not block light emanating from product in whole or part, as this may cause an unsafe condition. Do not allow items such as drapes, curtains, screens or the like to come into contact with the product or to block light from the product, as this may cause an unsafe condition.

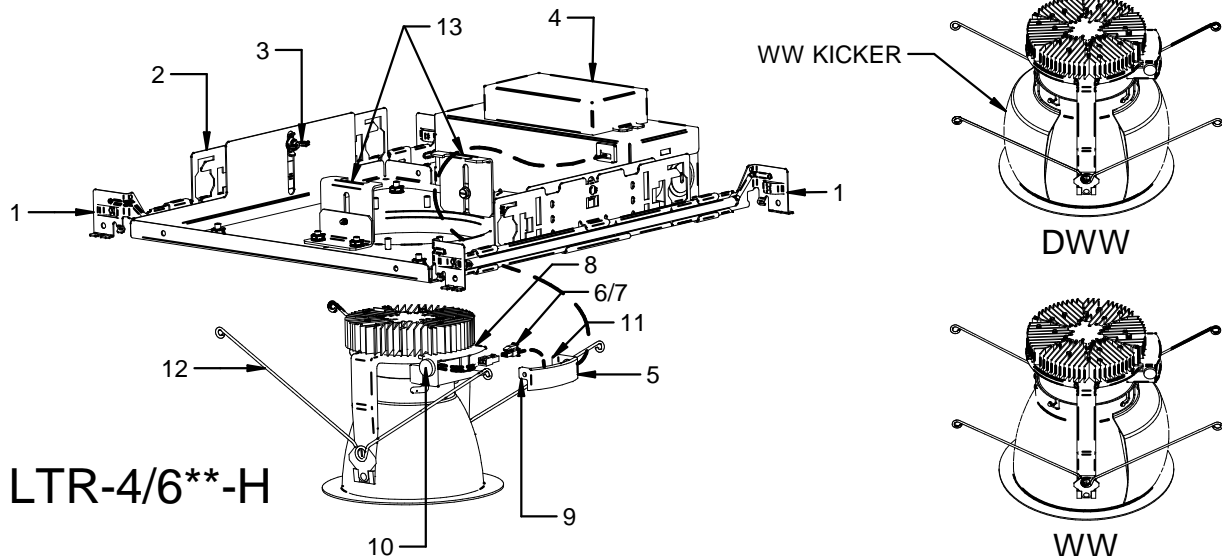
INSTALLATION INSTRUCTIONS LITEISTRY™ LTR-3/4/6RD/RW

CAUTION: TO REDUCE THE RISK OF ELECTRICAL SHOCK, MAKE CERTAIN THAT THE POWER SUPPLY IS OFF BEFORE INSTALLING OR SERVICING THIS FIXTURE!

1. Install the fixture in the ceiling using the two hanger bars (1) (supplied), or mounting channel or bars (by others) placed in the adjustable mounting brackets (2). Mount the fixture in the ceiling so that the weight of the fixture is supported by the hanger bars, mounting channel, bar, and/or hanger wires secured to the building structure.
2. Adjust the fixture so the bottom of the plaster flange opening is flush with the finished ceiling line and in alignment with adjacent fixtures. Secure mounting brackets by tightening two wing nuts (3) on either side of the fixture.
3. Determine where the supply wiring conduit will enter the J-Box and attach it in conformance with the National Electric Code.
4. Remove J-Box cover plate (4). Remove appropriate knockout and assemble appropriate connector for the supply wire used. Connect ground wires to green ground leads. Connect white (common) to white (leads). Connect power supply (line) to black lead(s). Reinstall J-Box cover (4). **WARNING: DO NOT pinch wires between J-Box/ballast cover and J-Box. Consult a qualified electrician for all other options that require other wiring configurations.**
5. Pull electrical cover (5) down below ceiling through opening in fixture.

For LTR-4/6RD/RW Fixtures:

6. Insert connector (6) into connector (7) and snap firmly together.
7. Carefully put wires and connectors (6) & (7) into electrical box (8). Place tab (9) in line with thumbscrew (10) and other tab (11) between electrical box and reflector. Tighten thumbscrew (10) and secure cover (5) into place.
8. Squeeze two torsion springs (12) together and insert ends into two brackets (13). Push trim assembly up towards ceiling until springs draw trim firmly against the ceiling. (NOTE: For wall wash fixtures, insert the trim so that the inside reflective surface of the wall wash kicker faces the wall.)

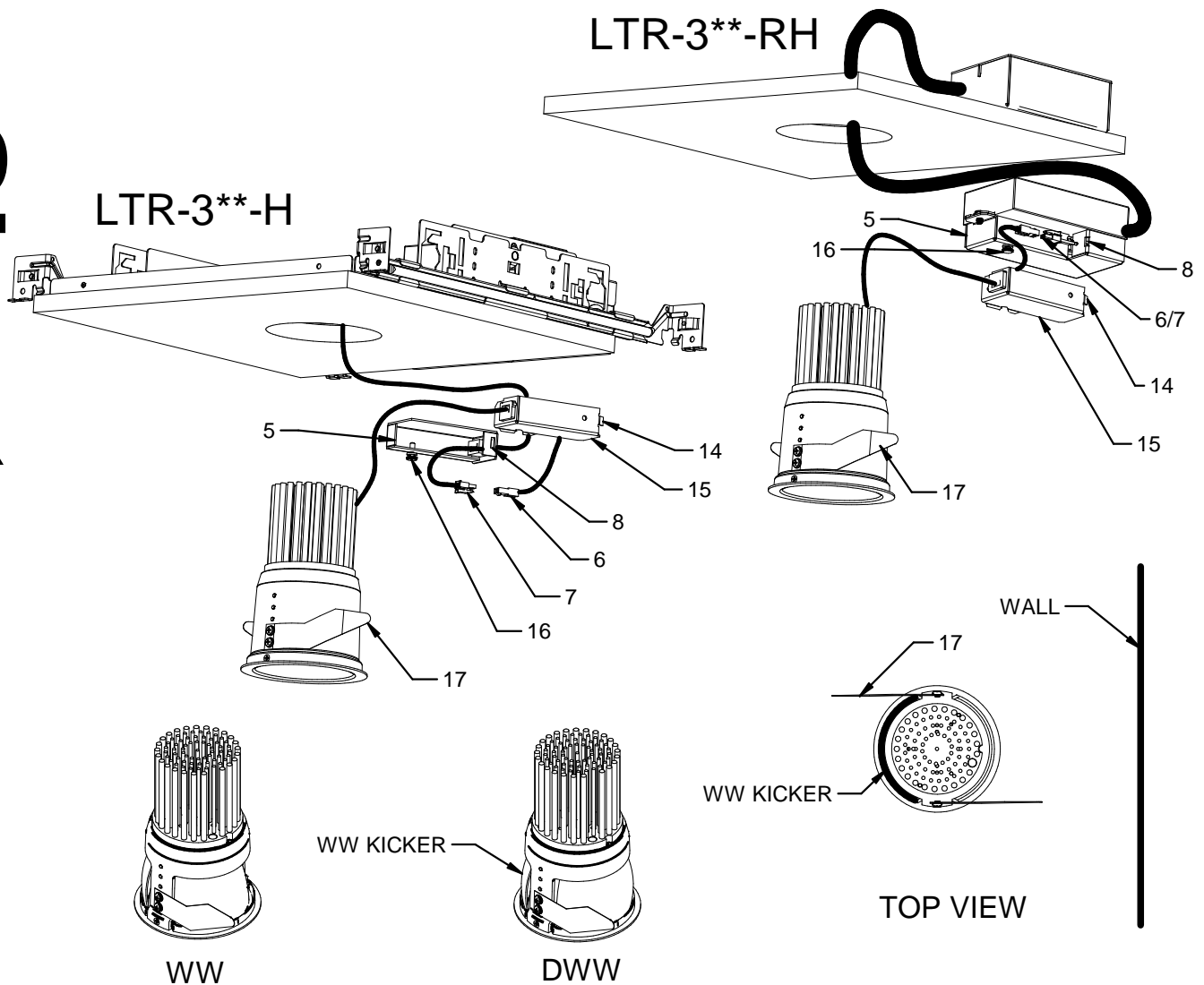


LTR-4/6** -H

CAUTION: TO REDUCE THE RISK OF ELECTRICAL SHOCK, MAKE CERTAIN THAT THE POWER SUPPLY IS OFF BEFORE INSTALLING OR SERVICING THIS FIXTURE!

For LTR-3RD/RW Fixtures:

9. Insert connector (6) into connector (7) and snap firmly together.
10. Carefully put wires and connectors (6) & (7) into electrical box (5). Place tab (14) in slot (8) on electrical cover box (5) and slide electrical cover (15) onto electrical box (5). Tighten thumb screw (16) to secure electrical covers (5/15) to each other.
11. Feed electrical cover assembly (5/15) in ceiling cutout. Squeeze two retention springs (17) on the sides of the fixture and carefully insert the fixture into the ceiling cutout. Once installed, a gentle slight clockwise twist will secure the fixture firmly to the ceiling. (NOTE: For wall wash fixtures, insert the trim so that the inside reflective surface of the wall wash kicker faces the wall.)



CAUTION: DO NOT ATTEMPT TO MODIFY OR REWIRE FACTORY-INSTALLED WIRING ON THE FIXTURE. SAFETY AND PROPER OPERATION OF THE FIXTURE DEPEND ON THE INTEGRITY OF THE WIRING.

KEEP THESE INSTALLATION INSTRUCTIONS