

IMPORTANT SAFETY INFORMATION. READ AND FOLLOW ALL SAFETY INSTRUCTIONS. Follow label information and instructions concerning Wet or Damp Locations, installation near combustible materials, insulation, building materials, and proper lamping. Do not install in areas subject to combustible vapors or gases. Before wiring to power supply and during servicing or relamping, turn off power at fuse or circuit breaker. **All servicing or relamping must be performed by qualified service personnel. Product must be grounded to avoid potential electric shock or other potential hazard. Product must be mounted in locations and at heights and in a manner consistent with its intended use, and in compliance with the National Electrical Code and local codes.** The use of accessory equipment not recommended by the manufacturer or installed contrary to instructions may cause an unsafe condition. Do not block light emanating from product in whole or part, as this may cause an unsafe condition. Do not allow items such as drapes, curtains, screens or the like to come into contact with the product or to block light from the product, as this may cause an unsafe condition.

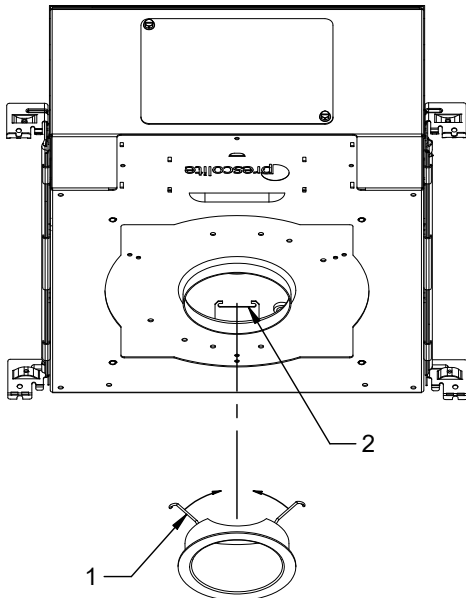
INSTALLATION INSTRUCTIONS

LITEISTRY™

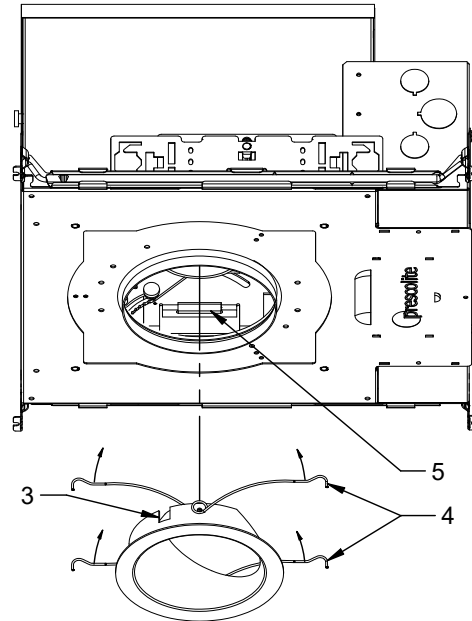
LTR-3RA/4RA/6RA & LTR-3SQA/4SQA/6SQA TRIMS

ROUND TRIM INSTALLATION

1. Install the round lower trim reflector (or slot or pinhole) after the housing installation is complete, the ceiling is finished, and the housing adjustment assembly has been aimed and locked into the desired position.
2. To install the 3 inch round trim, squeeze the single, front-mounted torsion spring legs together (1) and install it in the spring mounting slot (2) in the 3 inch adjustable housing, as shown. Push the trim up, aligning the trim with the housing opening until the trim is seated flush with the ceiling.
3. To install the 4 or 6 inch round trim, locate the slot (3) on the trim that mates with the tab on the housing to orient the trim correctly, squeeze both side-mounted torsion spring legs (4) together and insert them in the two slots (5) on either side of the aiming mechanism as shown. Push the trim up until the trim is seated flush with the ceiling.



3 INCH ROUND ADJUSTABLE



4 & 6 INCH ROUND ADJUSTABLE



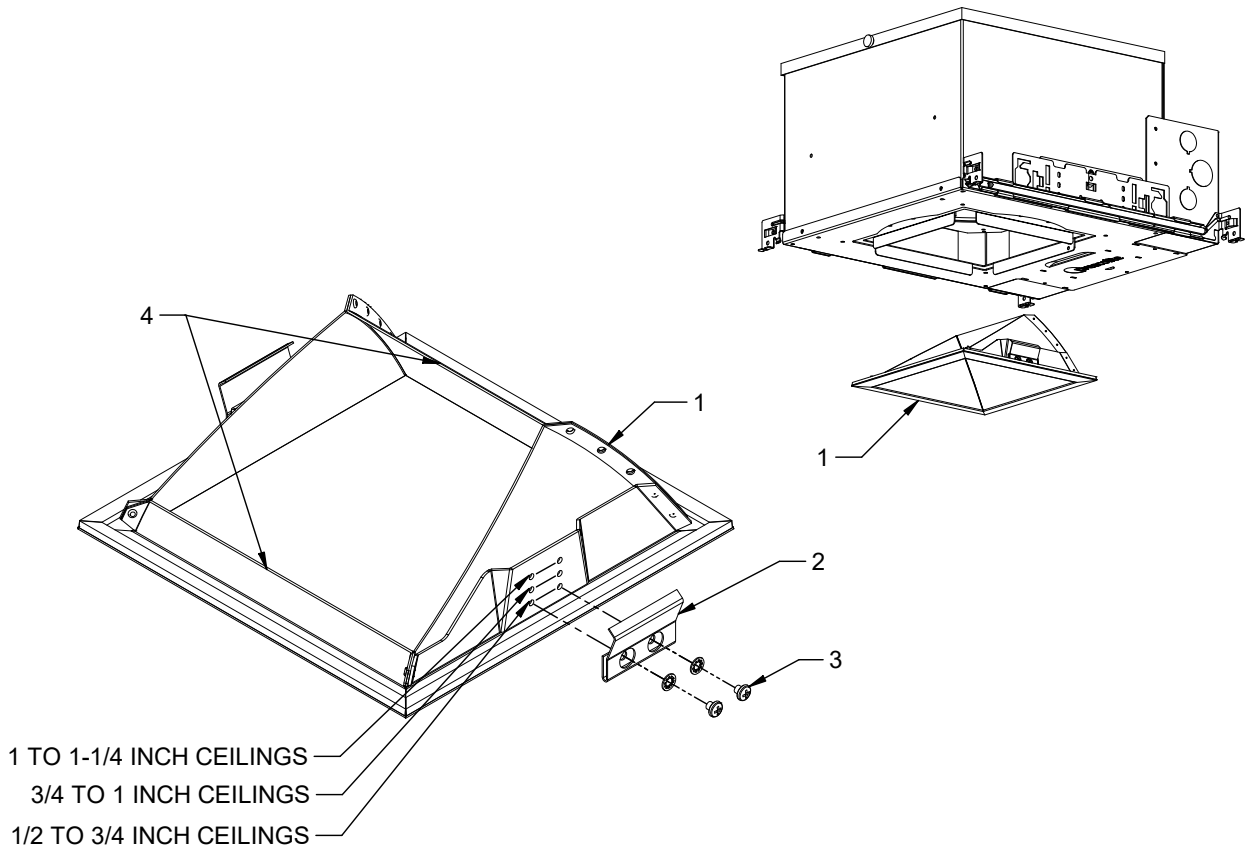
SQUARE TRIM INSTALLATION

1. Install the square lower trim reflector after the housing installation is complete, the ceiling is finished, and the housing adjustment assembly has been aimed and locked into the desired position.

2. To install the square trim (1), first determine the ceiling thickness where the housing is installed. The square trims come with two spring clips (2) mounted with two screws each (3) on either side of the trim. Each of the spring clips can mount in three vertical positions on the trim to accommodate different ceiling thicknesses from 1/2 inch thick to 1-1/4 inch thick, in 1/4 inch increments. See the SPRING CLIP ADJUSTMENT FOR CEILING THICKNESS instruction below.

From the factory, the trim spring clips are mounted in the 1/2 inch to 3/4 inch position. Locate the spring clips in the proper position for your application based on the illustration below if the standard position is not applicable to your installation.

3. When the spring clips are positioned correctly for the ceiling thickness on the trim, install the trim, locating the slanted, open portion of the trim (4) closest to the aimed position of light engine inside the housing. Since the trim is square, there are only 4 positions it will mount in the housing. Pick the one that works the best for the installation. Push the trim up, aligning the trim with the housing opening until the trim is seated flush with the ceiling, and the spring clips engage the housing fully to properly retain the trim.



SPRING CLIP ADJUSTMENT FOR CEILING THICKNESS (BOTH SIDES)

KEEP THESE INSTALLATION INSTRUCTIONS



Hubbell Lighting, Inc.

701 Millennium Blvd • Greenville, SC 29607
With representatives offices in principal cities throughout North America.
Copyright 2019, 07/31/19 revision, All Rights Reserved - Printed in U.S.A.

