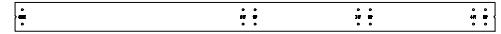


Installation Instructions

Fixture: Prevent Captive Cover

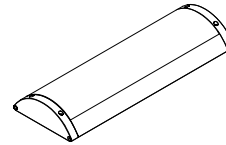
TABLE OF CONTENTS

MOUNTING TEMPLATE PROCEDURE.....PG.4



MOUNTING TEMPLATE

SURFACE MOUNT INSTALLATION (SINGLE FIXTURE).....PG.5

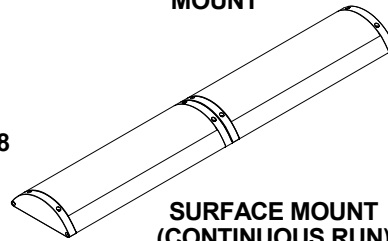


SURFACE MOUNT



SURFACE MOUNT SIDE VIEW

SURFACE MOUNT INSTALLATION (CONTINUOUS RUN)..PG.6, 7 & 8

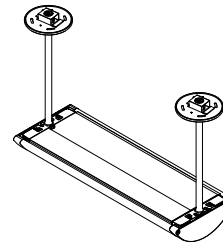


SURFACE MOUNT (CONTINUOUS RUN)

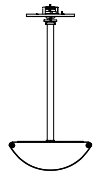


SURFACE MOUNT (CONTINUOUS RUN) SIDE VIEW

PENDANT MOUNT INSTALLATION (SINGLE FIXTURE).....PG.9, 11-13

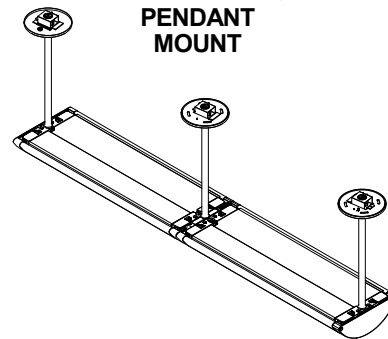


PENDANT MOUNT

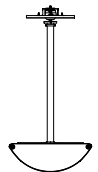


PENDANT MOUNT SIDE VIEW

PENDANT MOUNT INSTALLATION (CONTINUOUS RUN)..PG.10 - 13

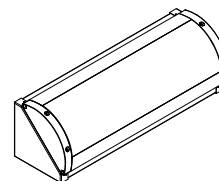


PENDANT MOUNT (CONTINUOUS RUN)



PENDANT MOUNT (CONTINUOUS RUN) SIDE VIEW

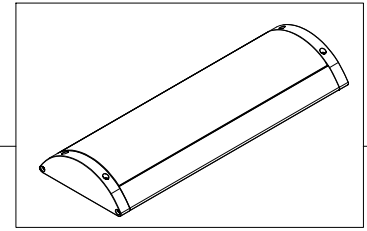
CORNER MOUNT INSTALLATION.....PG 14 & 15



CORNER MOUNT



CORNER MOUNT SIDE VIEW

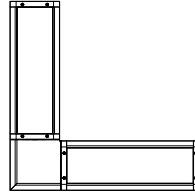


Installation Instructions

Fixture: Prevent Captive Cover

TABLE OF CONTENTS

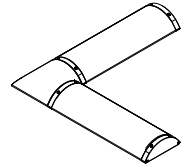
L - CONNECTION INSTALLATIONPG.16



L-CONNECTION
TOP VIEW

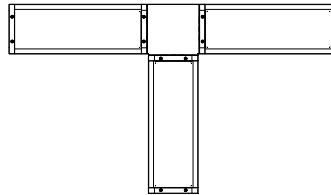


L-CONNECTION
SIDE VIEW



L-CONNECTION

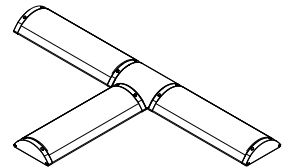
T - CONNECTION INSTALLATIONPG.17



T-CONNECTION
TOP VIEW

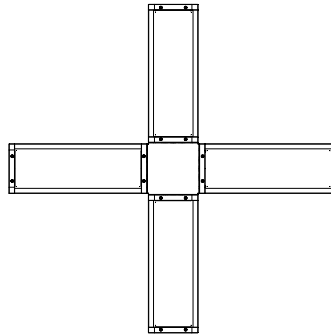


T-CONNECTION
SIDE VIEW



T-CONNECTION

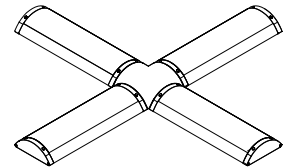
X - CONNECTION INSTALLATIONPG.17



X-CONNECTION
TOP VIEW

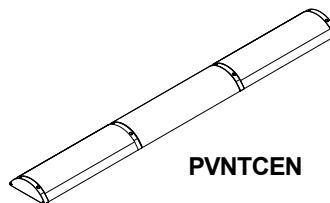


X-CONNECTION
SIDE VIEW



X-CONNECTION

PVNTCEN INSTALLATIONPG.18

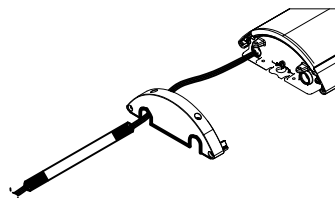


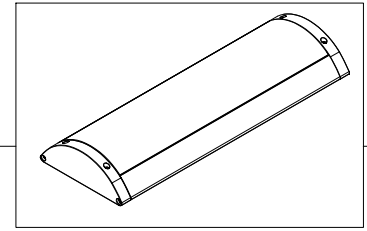
PVNTCEN



PVNTCEN
SIDE VIEW

CONDUIT KNOCKOUTS INSTALLATIONPG.19





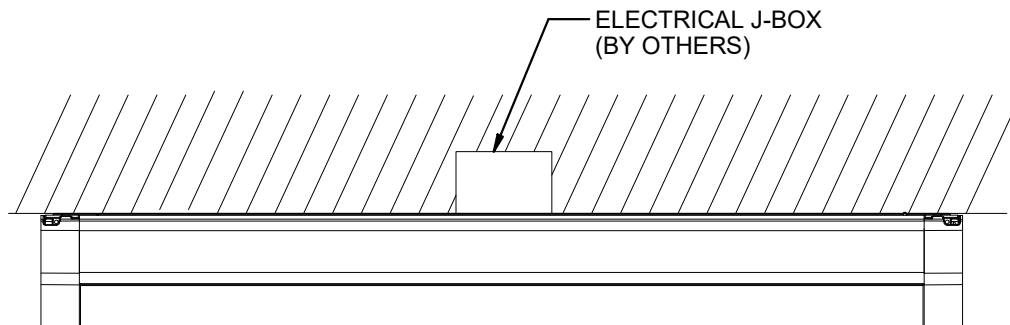
Fixture: Prevent Captive Cover



WARNING: Fixtures must be grounded in accordance with local codes or the National Electrical Code. Failure to do so may result in serious personal injury.

MAINTENANCE: A regularly scheduled maintenance program should be established to retain optimum light output and reduce heat retention. Dusting with a soft, clean, dry cloth is normally sufficient for the optics.

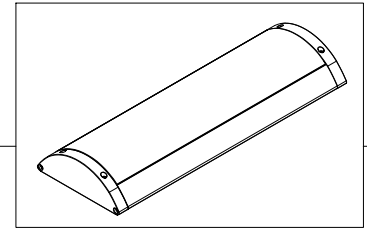
CAUTION: All wiring must be done by a qualified electrician. KEEP THE INSTRUCTIONS FOR FUTURE REFERENCE. **INSTALLATION is recommended to be done by two persons.**



PREVENT - SURFACE MOUNT

Recommended Tools:

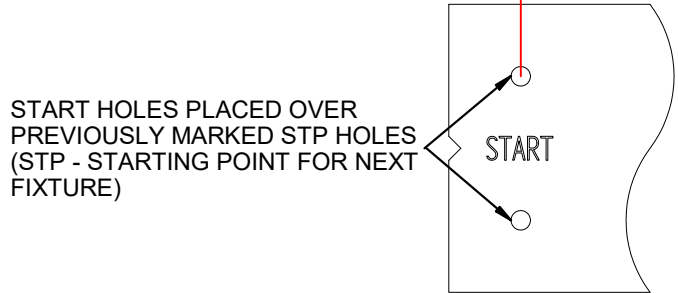
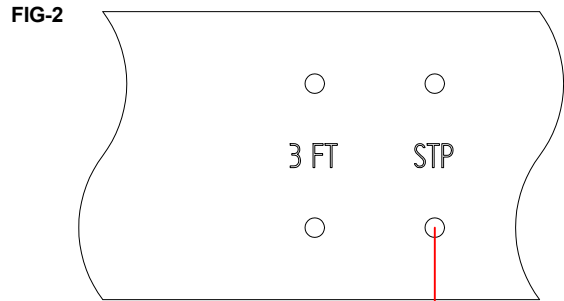
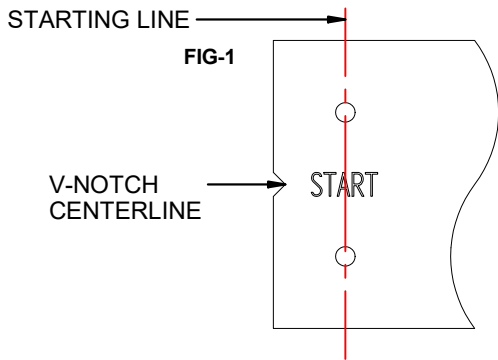
1. 3/16" Tamper-proof security Hex bit.
2. 1/16" Allen wrench
3. Drill and drill bit set.
4. Level.
5. Tape measurer.
6. Electrical tools (wire strippers, Wire nuts etc.).
7. Plumber Grease (optional).
8. Mounting Hardware (by others).
9. Mounting Template (optional, Part #93115985 TMPLT).



Instructions For Installation Template
Fixture: Prevent Captive Cover



PREVENT - MOUNTING TEMPLATE 93115985



START HOLES PLACED OVER PREVIOUSLY MARKED STP HOLES (STP - STARTING POINT FOR NEXT FIXTURE)

STEPS:

1 Determine a suitable location to install the Prevent luminaire. Luminaire (fixture) should cover the J-box for a clean installation or run the electrical conduit to the starter unit. Mark the starting line of the beginning of the luminaire.

2. Bring template to mounting surface, placing the holes labeled START to the marked starting line, FIG-1.

3. Mark the drill points at the START holes and end points according to fixture length.

NOTE: For continuous run, mark the STP holes next to the fixture length in the template. These will be the starting holes for the next fixture.

4. Drill and prep the installation holes based on the mounting surface material.

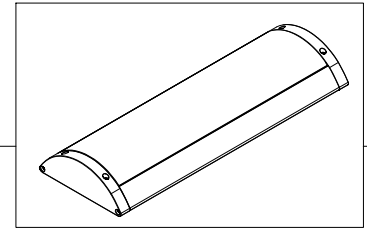
5. Prep fixtures and install per the instructions and local codes.

6. For the next fixture in continuous run, place the START holes over the marked STP holes as shown, FIG-2. Mark the end holes according to the second fixture length.

7. Repeat Step 6 as necessary for all fixtures in the continuous run.

8. Drill and prep the installation holes based on the mounting surface material.

9. Prep fixtures and begin installation as shown on pg 6 (Installation Instructions for Continuous Run).



Installation Instructions For surface Mount (Single Fixture)

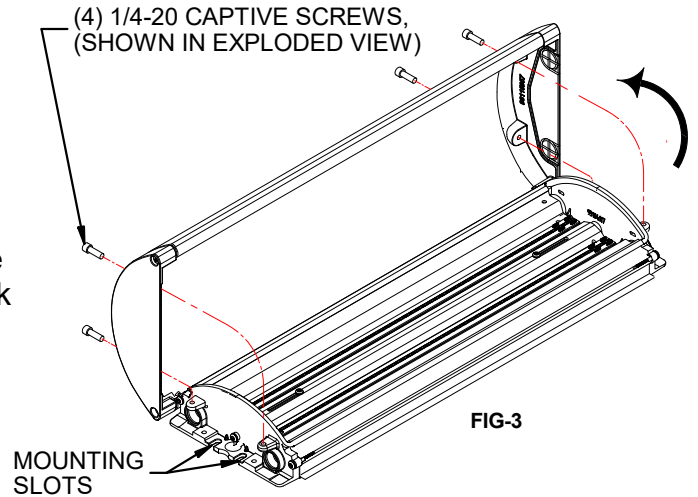
Fixture: Prevent Captive Cover

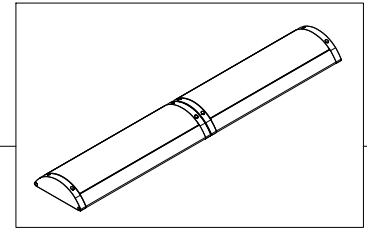
STEPS:

1. Turn off power to the unit and take proper safety precautions.
2. Unscrew (4) Captive 1/4-20 screws (2 on each side), and open lens frame, FIG-3.
3. Determine a suitable mounting location, bring fixture close to ceiling/wall and using slots on each side, mark mounting holes location.

NOTE: If using the installation template, refer to pg-4 for mounting holes marking.

4. Use provided hook to assist with installation. Temporary hang the fixture to a suitable location on the J-box.
5. Make wire connection to incoming power line from J-Box (green to ground, white to neutral and black to load). Trim any extra wire leads, and tuck wires inside J-box.
6. Install fixture to ceiling/wall using hardware by others. **Make sure leads on back, sit flush inside channel to avoid pinched wires.**
7. Close lens frame and screw-in (4) 1/4-20 screws to endcaps.
8. Check for mounting security and turn on power to check for operation.
9. Installation complete.



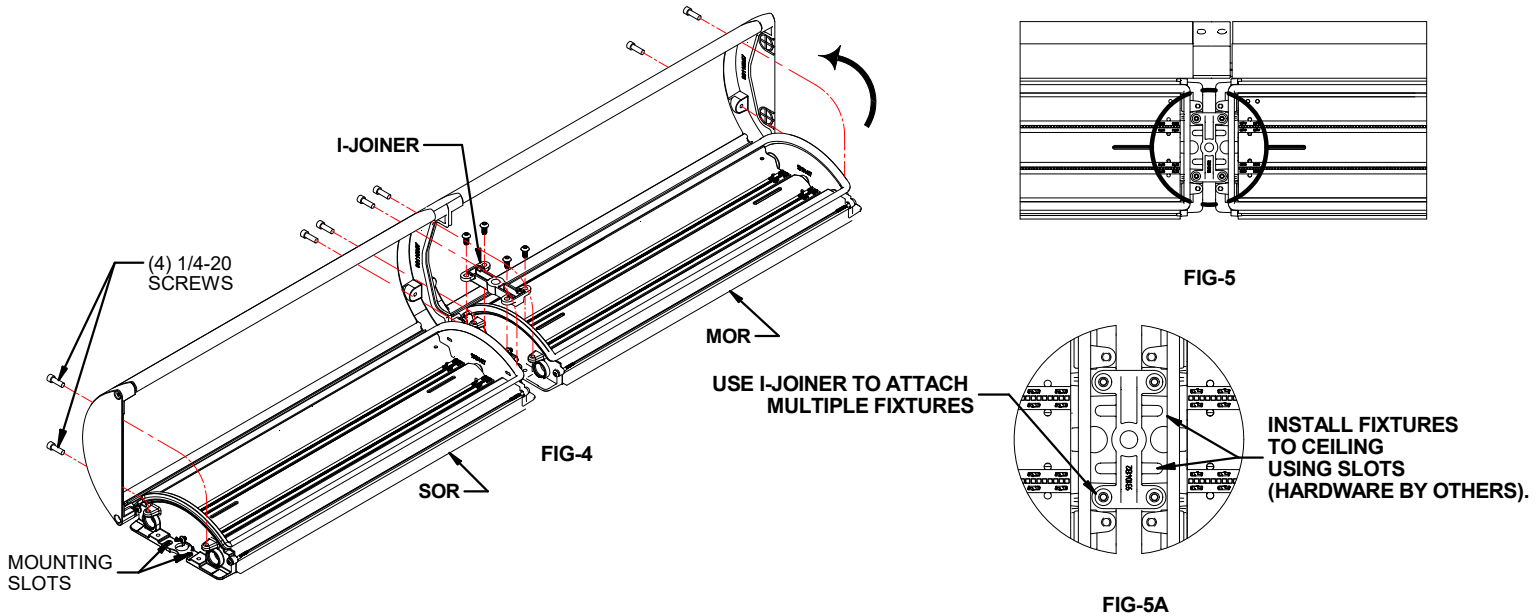


Installation Instructions For surface Mount (Continuous Run)

Fixture: Prevent Captive Cover

NOTE :

INSTALLATION OF CONTINUOUS RUN IS SIMILAR TO STAND ALONE FIXTURE INSTALLATION. REFERENCE PAGE-5 FOR DETAILS.



STEPS:

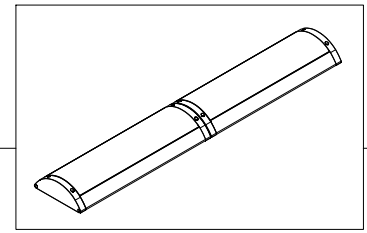
1. Install the first fixture (SOR) to the ceiling/wall as a standalone unit, refer to pg. 5).
2. Install I-joiner to SOR fixture using provided hardware see FIG-4.
3. On the ground, Prep second fixture (MOR) by opening the lens frame, refer to pg. 5) .
4. Bring MOR close to ceiling/wall, attach to I-joiner FIG-5A and mark mounting hole locations. Mount fixture to ceiling/wall, (mounting hardware by others).

NOTE: If using the installation template, refer to pg-4 for mounting holes marking.

5. Follow steps on page 7 for harness connections.
6. Close lens frame using (4) 1/4-20 screws on each end cap.
7. Repeat above steps(2-6) for the rest of the continuous run fixtures.
8. Use EOR fixture for the last fixture being installed.
9. Once all fixtures are installed, check for mounting security and turn on power to check for operation.
10. Installation complete.

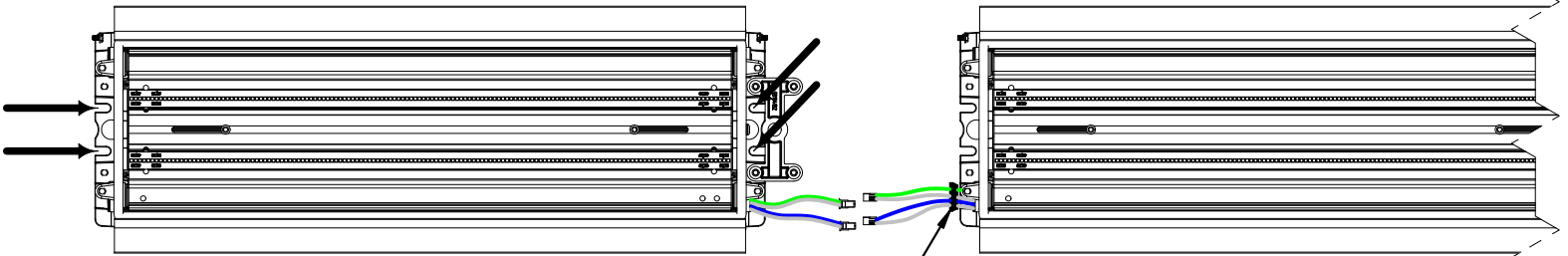
Abbreviations:

SOR = Start of run
 MOR = Middle of run
 EOR = End of run



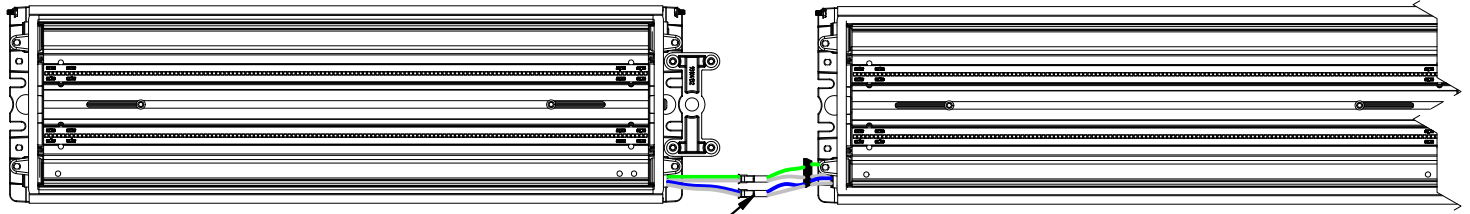
Installation Instructions For surface Mount (Continuous Run)

Fixture: Prevent Captive Cover

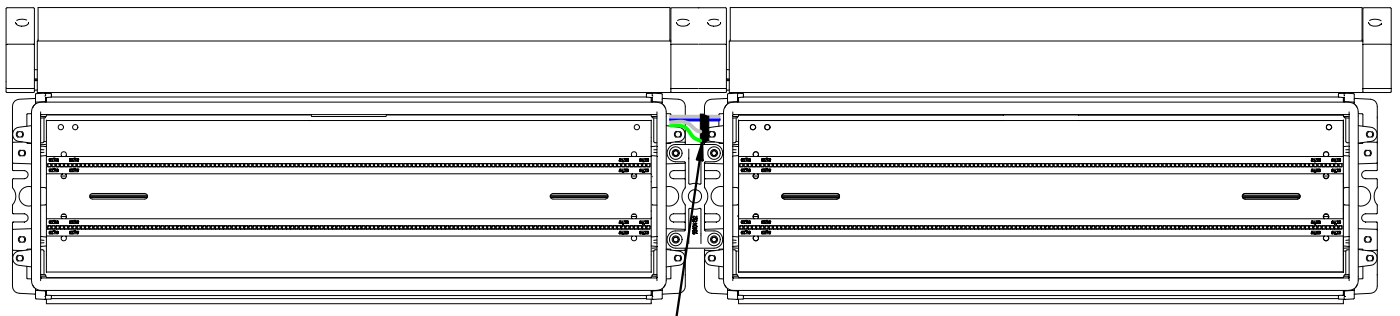


1. Install SOR to ceiling using slots on both ends.

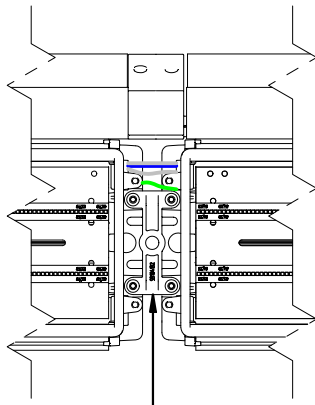
2. Before installing the MOR, pre-install the provided jump harness on the ground and push in the connectors inside. Push in the Grommet firmly to ensure a tight seal.



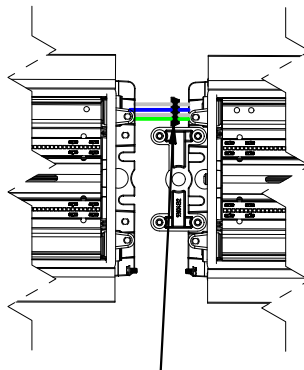
3. Bring up the MOR (with a second helping hands) close enough to make the wire connections to the SOR as shown



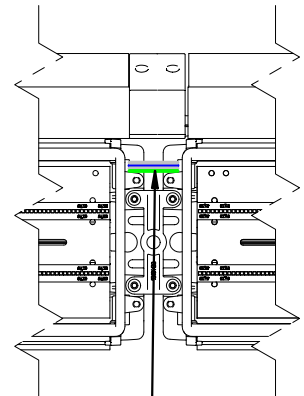
4. Push the harness connectors into the SOR but leave the grommet loosely outside the hole.



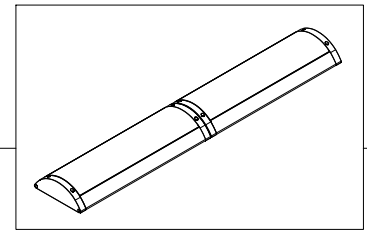
5. Install the MOR to the ceiling using I-joiner and end cap slots.



**6. Add grease/lubricant to grommet (optional)
7. Push the grommet firmly into the SOR (a blunt tool i.e. 90° Allen key can be used to push in the grommet if needed).**



**8. Adjust the wire length to remove any slack as needed.
9. Repeat the above steps for harness connection on next fixture installation**

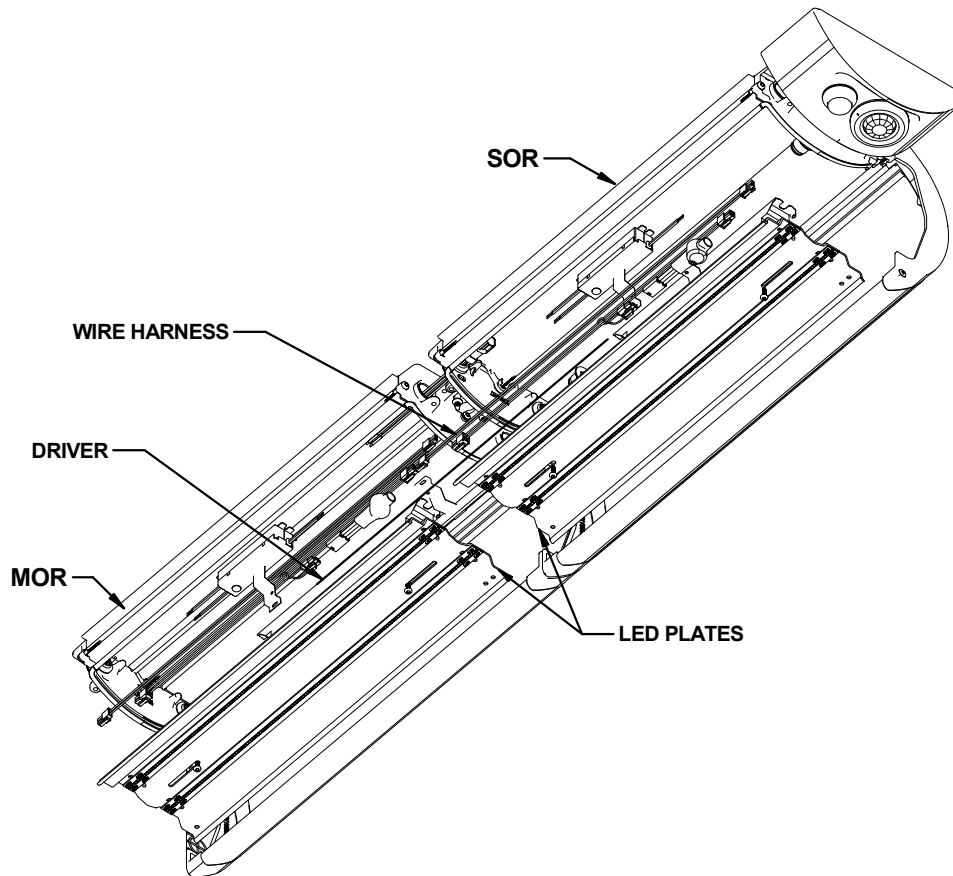


Installation Instructions For surface Mount (Continuous Run Surface)

Fixture: Prevent Captive Cover - Control Options

NOTE:

FOR FIXTURES WITH CONTROLS, LED PLATE MUST BE REMOVED TO MAKE WIRE HARNESS CONNECTION INSIDE THE FIXTURE.

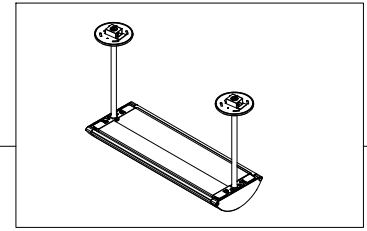


Abbreviations:

SOR = Start of run
MOR = Middle of run
EOR = End of run

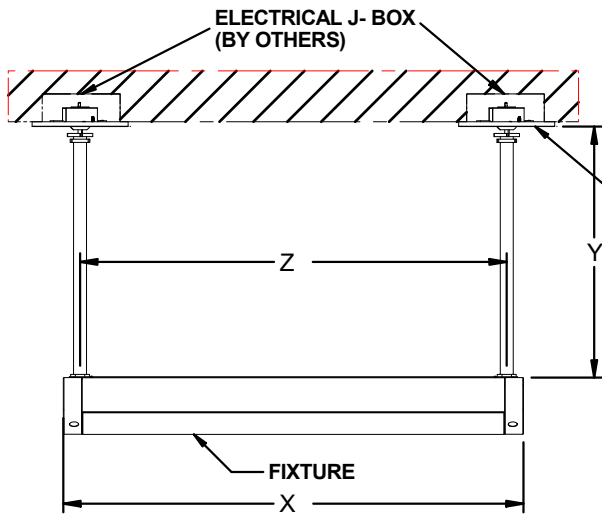
STEPS:

1. Install SOR with control box to ceiling/wall, refer to pg. 5.
2. Prep second fixture MOR:
 - a. Remove the 4 1/4-20 screws and open the lens frame on fixture.
 - b. Loosen (2) 8-32 screws on LED plate. Plate will hang loose.
 - c. Make Wire Harness connection inside fixture.
 - d. Re-install LED plate using the (2) 8-32 screws.
3. Install MOR fixture to ceiling/wall using slots on end caps.
4. Close lens frame and secure down using (4) 1/4-20 screws.
5. Once all fixtures are installed, check for mounting security and turn on power to check for operation.
6. Installation complete.



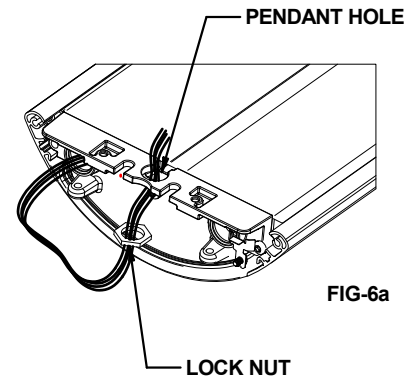
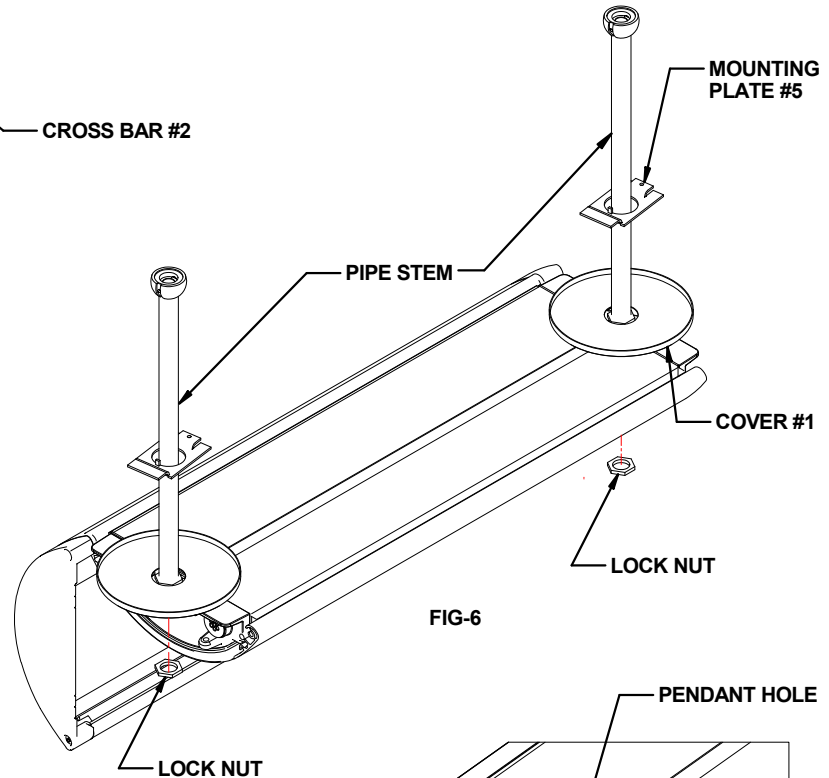
Installation Instructions For Pendant Mount (Single Fixture)

Fixture: Prevent Captive Cover



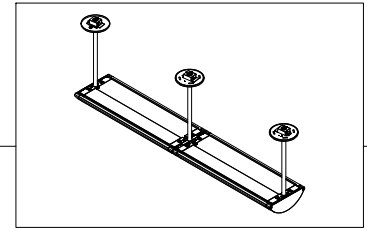
PENDANT MOUNT	
X	Z
1FT	10.25"(260 mm)
2FT	22.25"(565 mm)
3FT	34.25"(870 mm)
4FT	46.25"(1175 mm)

PENDANT LENGTHS
Y
12"(305 mm)
24"(610 mm)
36"(914 mm)



STEPS:

1. Determine J-boxes location on ceiling and install them before hand.
2. Unscrew (4) 1/4-20 screws and open lens frame on fixture (FIG-6).
3. Remove wires from clips on back of fixture channel.
4. Remove one nut from stem assembly and route fixture wires thru it.
5. Run wires thru pendant hole on fixture (FIG-6a).
6. Separate line voltage wires from dimming wires.
7. Route wires thru Pipe Stem (line voltage wires first, follow by dimming wires).
8. Install provided stems to fixture, using lock nuts FIG-6. Apply thread locker (loctite) and tighten them firmly.
9. Assemble pendant kit, refer to pg 13.
10. Bring fixture close to ceiling and make wire connections to line voltage wires (black to load, white to neutral and green to ground). Trim and tuck extra wires into J-box.
11. Secure Pendant assemblies to J-boxes by sliding Mounting Plate #5 to cross bar plate #2 and secure with 8/32"x1/4 screw #9. (pg 13) for part list.
12. Check for mounting security and turn on power to check for operation.
13. Close stem cover (Pg 13, item #1).
14. Installation complete.



Installation Instructions For Pendant Mount (Continuous Run)

Fixture: Prevent Captive Cover

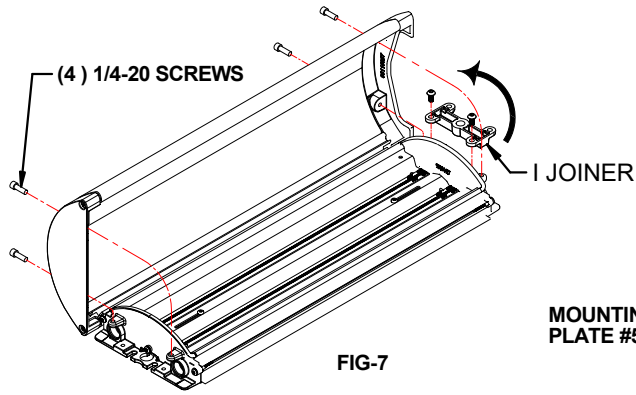


FIG-7

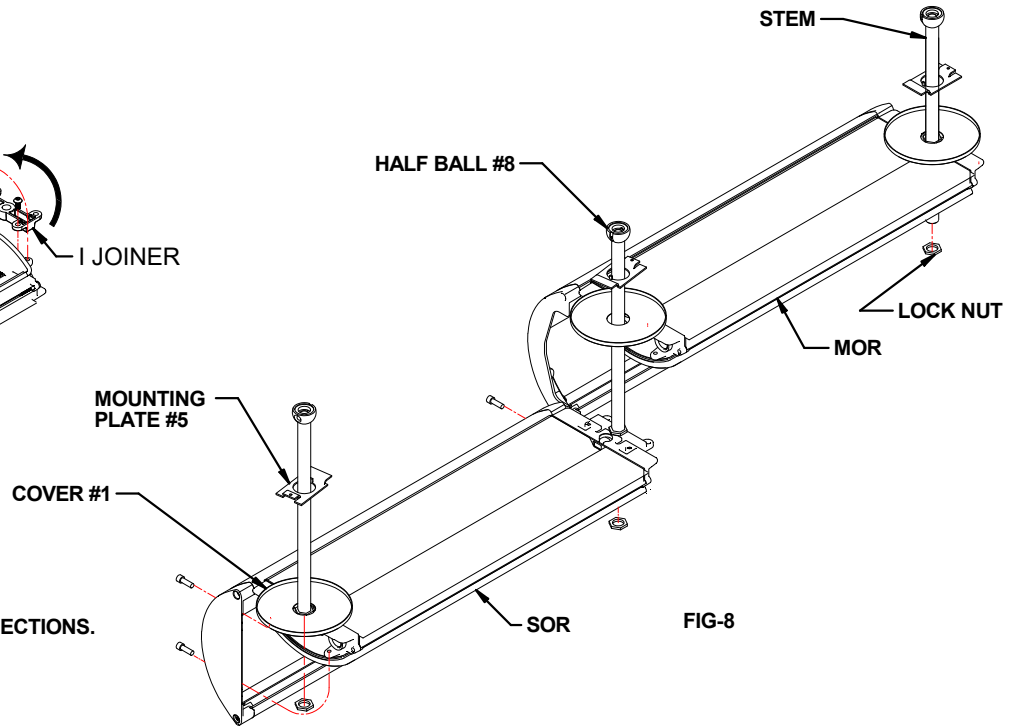


FIG-8

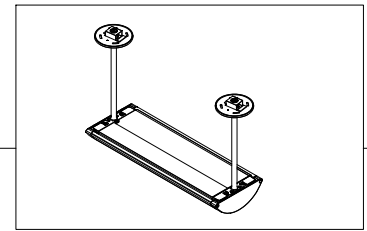
NOTE:
REFERENCE PAGE 6 FOR WIRE HARNESS CONNECTIONS.

STEPS:

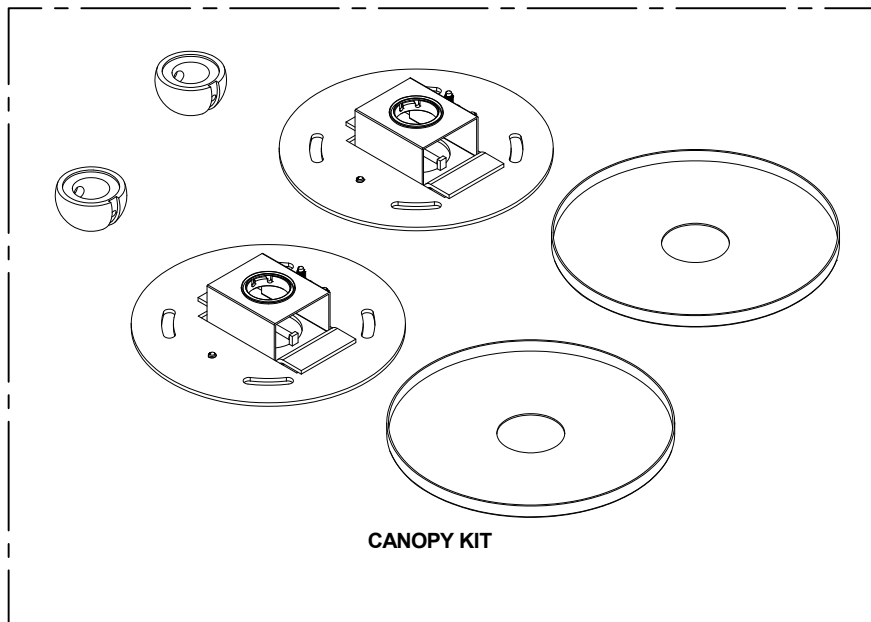
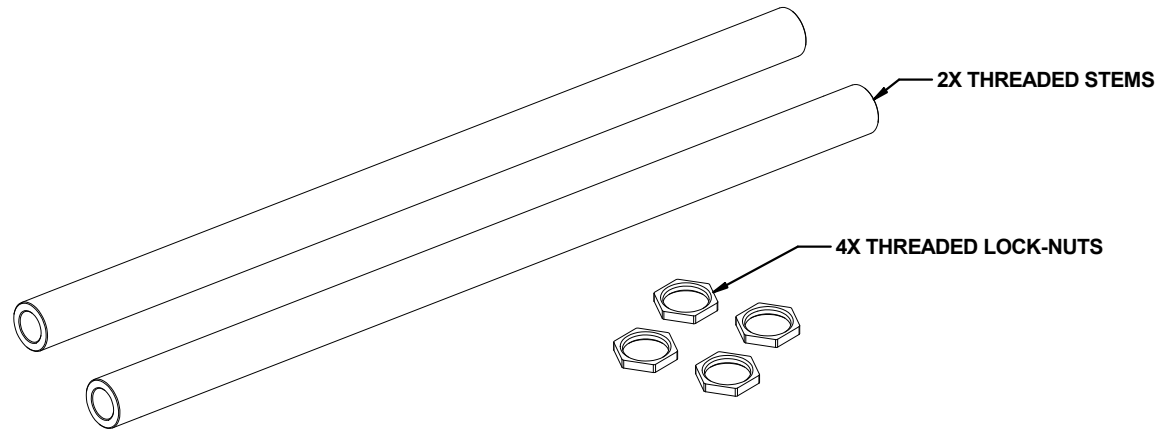
1. Install the first fixture (SOR) to the ceiling as a standalone unit, refer to pg 9.
2. Measure mounting locations for the rest of the fixtures and install J-Boxes to the ceiling accordingly.
3. Install Crossbar Round plates #2 over J-boxes and pull down the incoming line voltage wires.
4. Add one nut to stems and set them aside.
5. Run fixture wires through second nut, then thru pendant hole (pg 9 Fig- 6a).
6. Route wires thru Pipe Stem (line voltage wires first, follow by dimming wires).
7. Temporarily secure stem to Fixture.
8. Slip Pendant Cover Plate #1, Mounting Plate #5 and attach Half Ball #8 on stem reference (FIG-8).
9. Secure Half Ball to the stem using ADJ-SS #11.
10. Secure Stem to fixture by tightening nuts (use loctite).
11. Bring fixture close to ceiling and make wire connections to line voltage wires (black to load, white to neutral and green to ground). Trim and tuck extra wires into J-box.
12. Secure Pendant assemblies to J-boxes by sliding Mounting Plate #5 to cross bar plate #2 and secure with 8/32"x1/4 screw #9, slide stem cover (pg.13 for part list).
13. Follow steps 3 to12 for the additional fixtures.
14. Once all Fixtures are installed, unscrew the (4) 1/4-20 screws and open lens frame.
15. Install I-joiners between SOR and MOR and EOR using provided hardware see FIG-7 .
16. Follow steps on page 6 for harness connections.
17. Close lens frame using (4) 1/4-20 screws on each end cap.
18. Use EOR fixture for the last fixture being installed.
19. Once all fixtures are installed, check for mounting security and turn on power to check for operation.
20. Installation complete.

Abbreviations:

SOR = Start of run
MOR = Middle of run
EOR = End of run



**Installation Instructions For Pendant Arm Mount
Fixture: Prevent Captive Cover**



RECOMMENDED TOOLS (BY OTHERS):

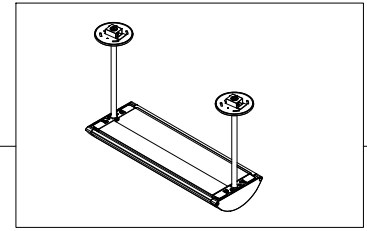
- * Hex key 5/64" & 3/16"
- * Drill
- * Drill bit (pending mounting hardware size)
- * Level
- * Tape measure
- * Screw drivers (Philip / Blade) #2
- * Wire Stripper
- * Adjustable wrench
- * Reference Canopy Kit instruction, Dwg/No : 93088947



HUBBELL
Lighting

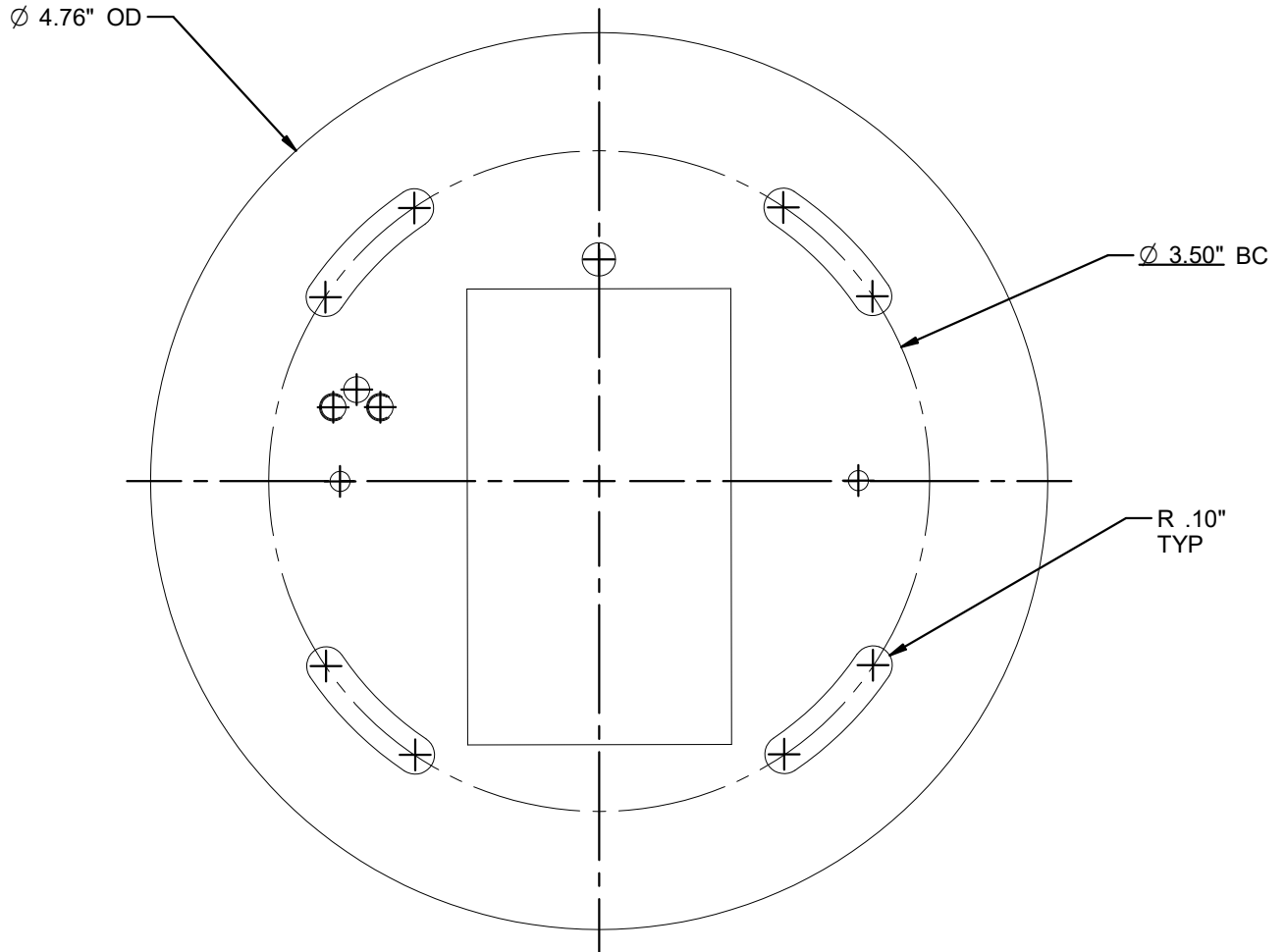
65 Spring Street, Plympton, MA 02367
781 - 294-0100

hubbellighting.com

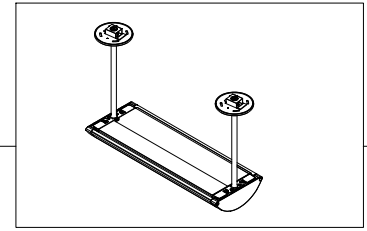


Installation Instructions For Pendant Arm Mount
Fixture: Prevent Captive Cover

CROSSBAR ROUND TEMPLATE

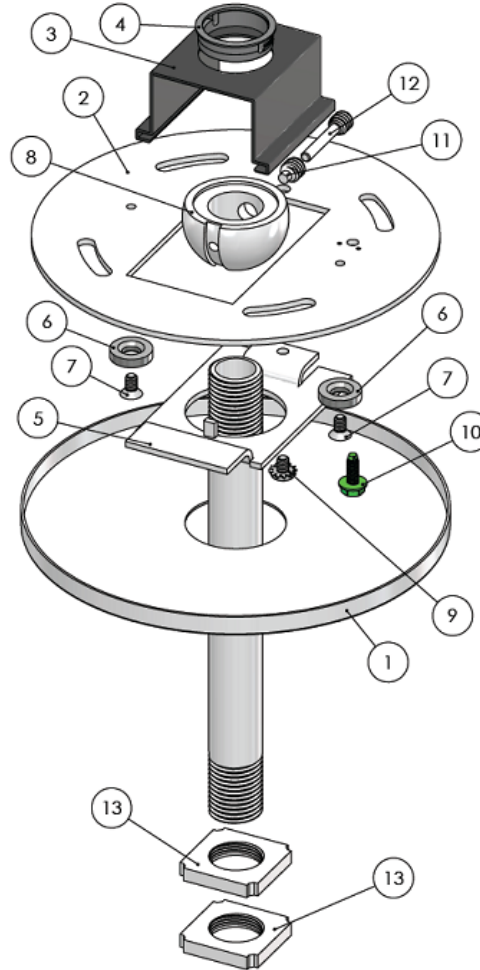
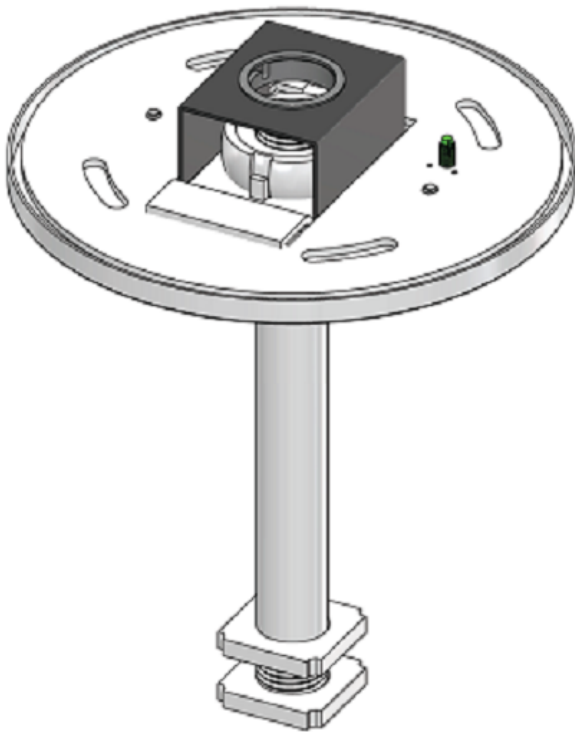


FULL SCALE
MOUNTING DETAIL
PENDANT ARM MOUNT OPTION



Installation Instructions For Pendant Arm Mount

Fixture: Prevent Captive Cover



ITEM NO.	PART NUMBER	DESCRIPTION	QTY.
1	276	5" Round w/ 1.18" CH	1
2	MP Crossbar Round	4.75" Round Crossbar .080" Material Thickness Zinc Plated Steel	1
3	MP Swivel Clip	Mono Point Swivel Retaining Clip for MP-Plate HB Spring Steel	1
4	#237	.875" Hole Bushing .945" W x .750" I.D. x .250" H .063" Max Panel Thickness	1
5	MP Plate HB	Monopoint Plate for Half Ball for MP Crossbar 2.82" L x 1.650" W x .075" Material Thickness Half Ball Opening for #35, #34 and #147 Tapped 8/32" Hole Zinc Plated Steel	1
6	Magnet	#6 & #8 Magnet	2
7	271	6/32" x 1/4" L Flat Head Philips Machine Screw	2
8		3/8" IP Slip Half Ball Bright Casting	1
9	183	8/32" x 1/4" Philip Head Ext Sems Steel Zinc Screw	1
10	#32	8/32 Green Ground Screw	1
11	#ADJ-SS	1/4" -20 Short (.350" Long) Socket Set Screw w/.125" DIA Point & 1/8" Allen Hex Head Pin for ADJ Series Half Balls	1
12	#SSS	1/4" -20 Socket Set Screw w/.125 DIA & 1/8" Allen Hex Head Pin for ADJ Series Half Balls	1
13	#22	3/8" IP x 1 1/16" Square x .073" Thick Zinc Plated	2

STEPS:

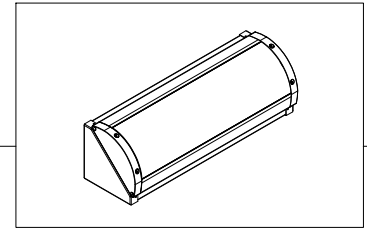
- 1) **CANOPY PREPARATION** – Installing Canopy Swivel base to ceiling.
Reference **Pendant Systems** installation instructions on page 9:
 - a. Measure mounting locations and install J-Boxes to the ceiling accordingly.
 - b. Install Crossbar Round plates #2 over J-boxes and pull down the incoming line voltage wires.
- 2) **FIXTURE PREPARATION - Table Top**
 - a. Thread one nut to the stem.
 - b. Run Fixture wire through the other nut (Pg 9, FIG- 6a).
 - ❖ Run wire thru pendant hole (Pg 9, FIG-6a)
 - ❖ Run wire thru stem (Start end with nut). Temporary secure stem to Fixture with nut.
 - c. Slip Pendant Cover Plate #1, Mounting Plate #5, Half Ball #8 over the fixture wires and the stem. Repeat on the other arm. Secure Half Ball to the stem using ADJ-SS, #11.

NOTE-

- If using SSS #12, need to drill stem.(Reference inst. from Canopy Kit)
- d. Run wire thru Mounting Plate Swivel Clip #3 and Hole Bushing #4 prior to make connection with incoming line.

Note:

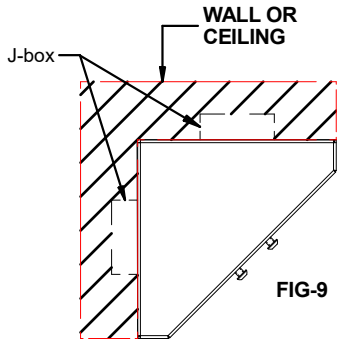
1. Source of drawing/BOM from Pendant Systems.
2. Discard item #13 and use provided lock nuts in their place.
3. Not Natotarium Rated.



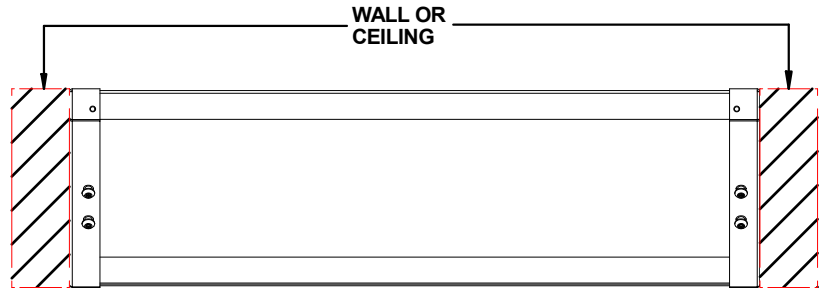
Installation Instructions For Corner Mount - Single fixture only

Fixture: Prevent Captive Cover

METAL FRAME ASSEMBLY



CORNER MOUNT,
METAL FRAME ASSY.
SIDE VIEW



CORNER MOUNT,
METAL FRAME ASSY.
FRONT VIEW

FIG-10

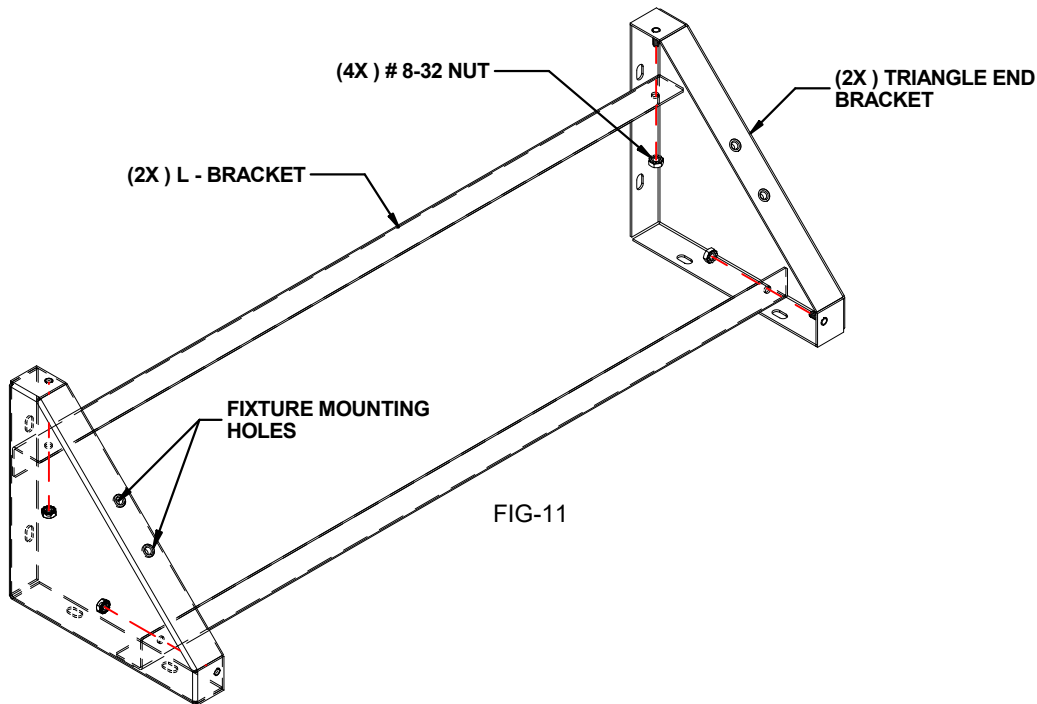
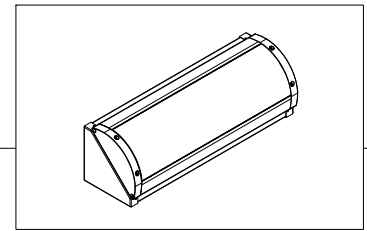


FIG-11

STEPS:

1. Pre-assemble the metal frame prior to installation, FIG:11.
2. Mark and drill holes on ceiling/wall (add anchors as needed).
3. Mount metal frame assembly to the ceiling/wall corner FIG 9 & 10 (hardware by others). Minimum 2 hardware per end bracket.



Installation Instructions For Corner Mount - Stand Alone Only
Fixture: Prevent Captive Cover - Fixture Preparation

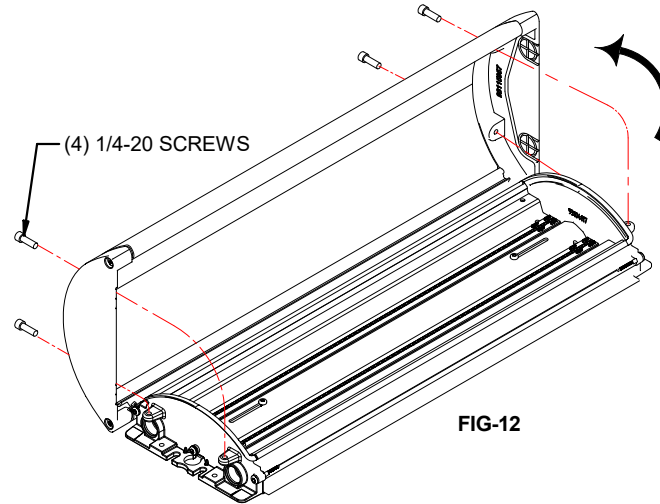


FIG-12

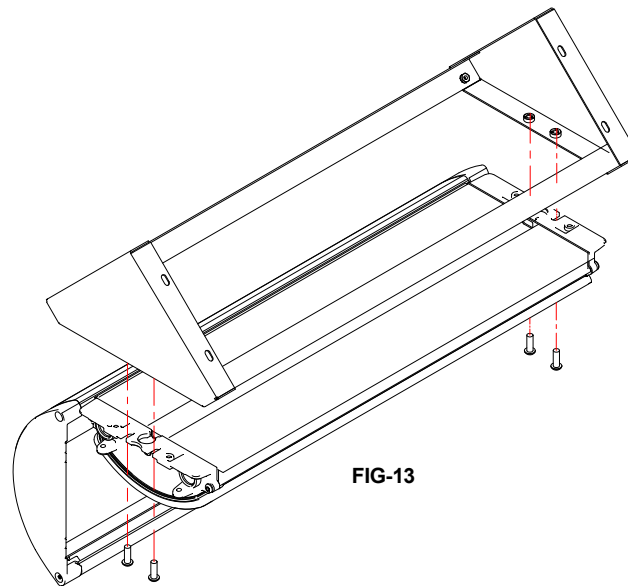
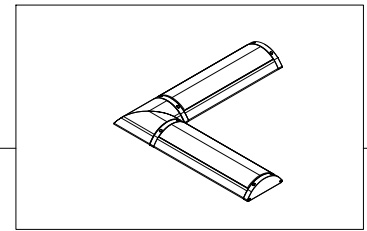


FIG-13

STEPS:

1. Unscrew (4) 1/4-20 screws and open lens frame on fixture FIG-12.
2. Bring fixture close to corner assembly and make wire connections to J-box.
3. Mount fixture to metal frame with provided hardware FIG 13.
4. Screw the lens frame down use (4) 1/4-20 to close fixture.
5. Check for mounting security and turn on power to check for operation.
6. Installation complete.



Installation Instructions For L-Connection

Fixture: Prevent Captive Cover

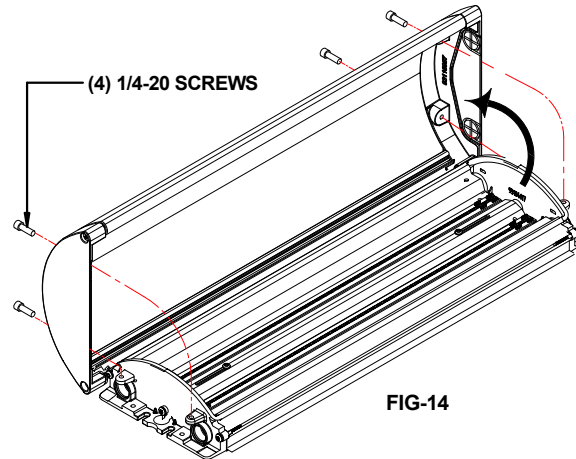


FIG-14

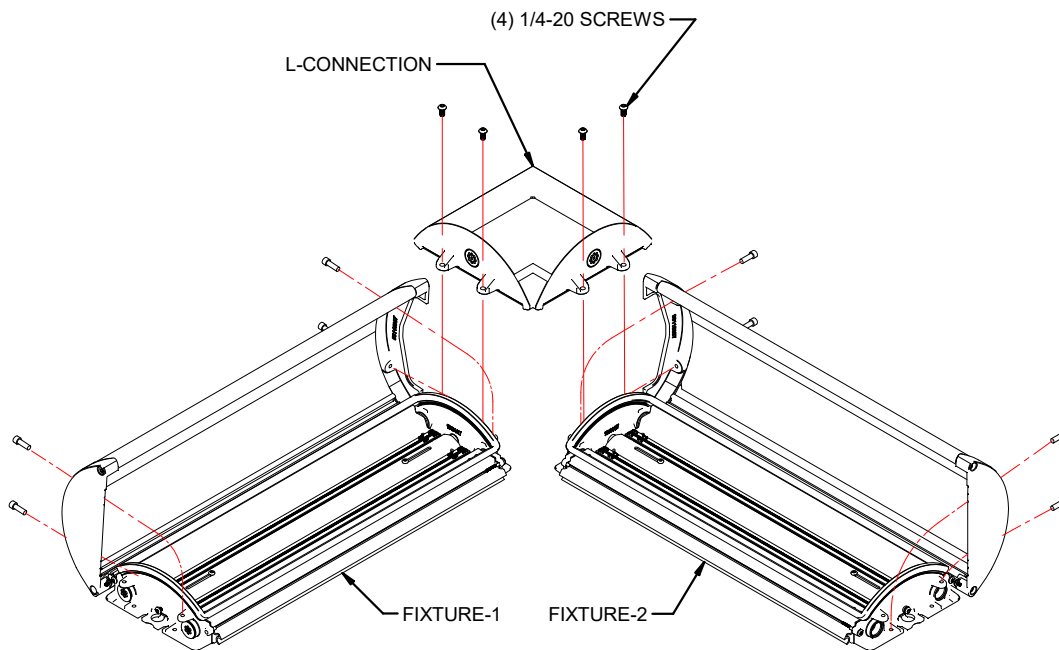
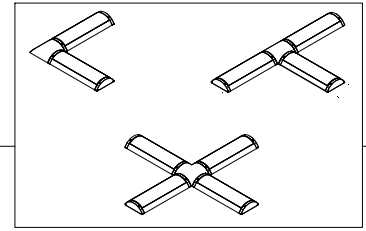


FIG-15

STEPS:

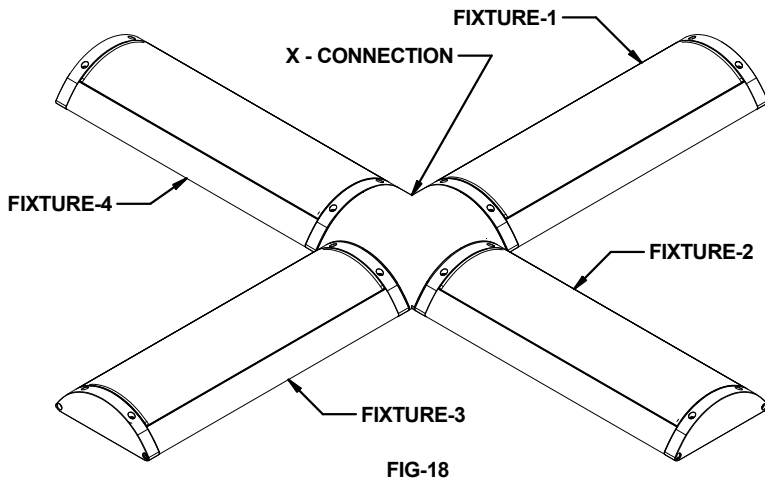
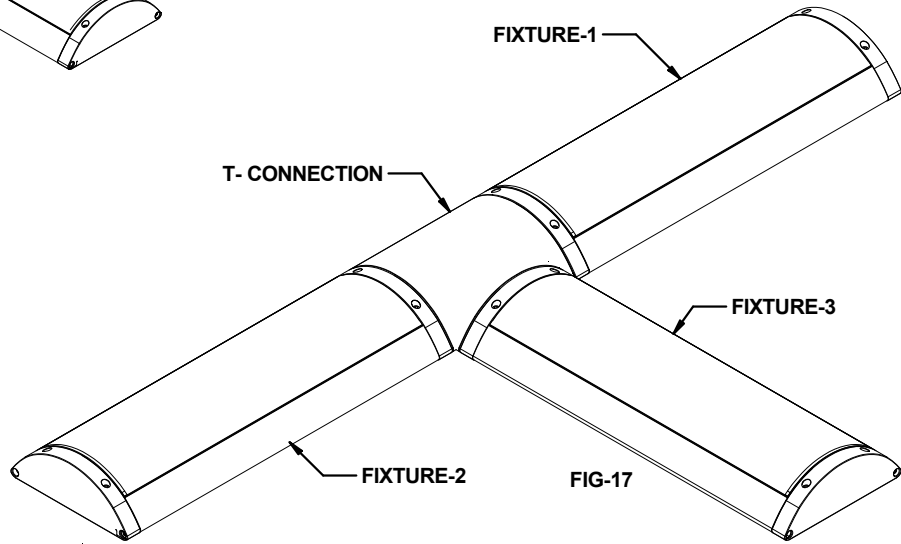
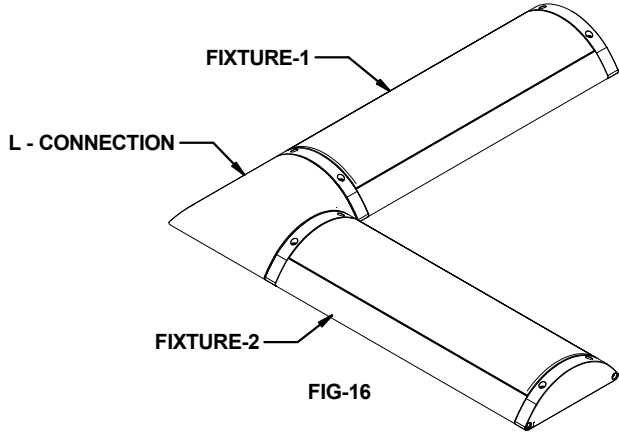
1. Prep and install Fixture-1 to ceiling/wall per instructions on page 5. Hardware by others.
2. On the ground, attach L-connection to Fixture-2. Make harness connections, refer to pg 6.
3. Bring Fixtures closer together, mark and drill mounting holes for Fixture-2.
4. Bring back Fixture-2, make harness connection and mount Fixture-2 to ceiling. See FIG-15.
5. Screw the lens frame down on both fixtures using 1/4-20 screws.
6. Check for mounting security and turn on power to check for operation.
7. Installation complete.

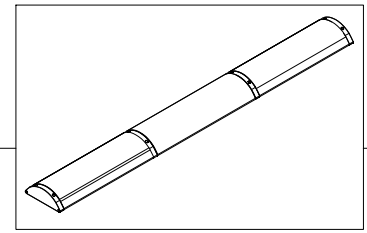


Installation Instructions For LTX-Connection

Fixture: Prevent Captive Cover

REFERENCE PAGE 5 FOR WIRE HARNESS CONNECTIONS.
USE STEPS FROM PAGE 16 FOR L,T,X CONNECTIONS





Installation Instructions For CENTER PIECE with FIXTURE.

Fixture: Prevent Captive Cover

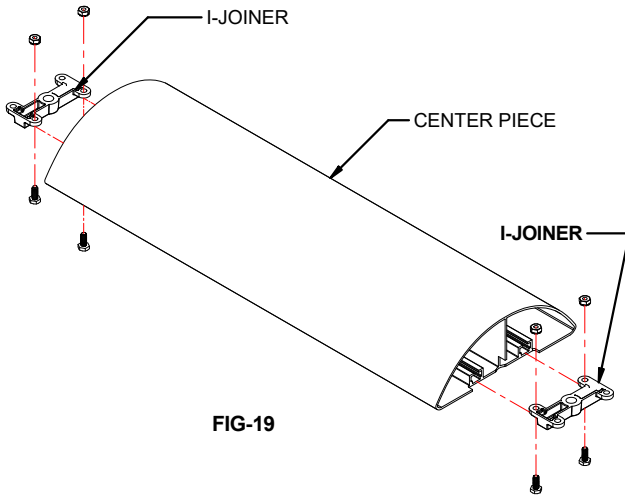


FIG-19

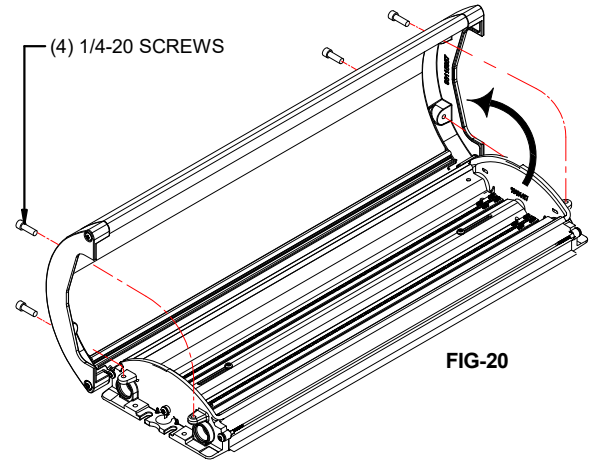


FIG-20

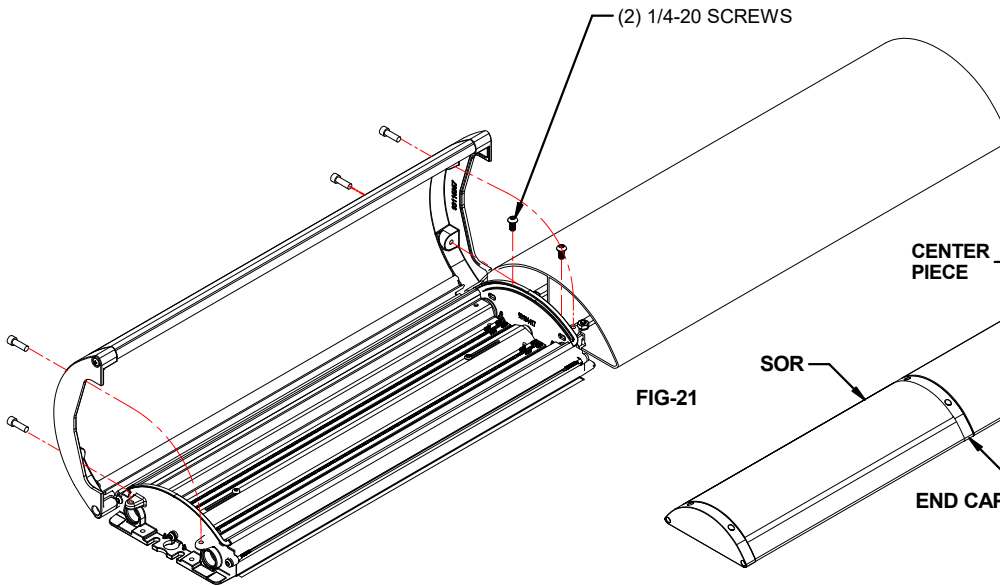


FIG-21

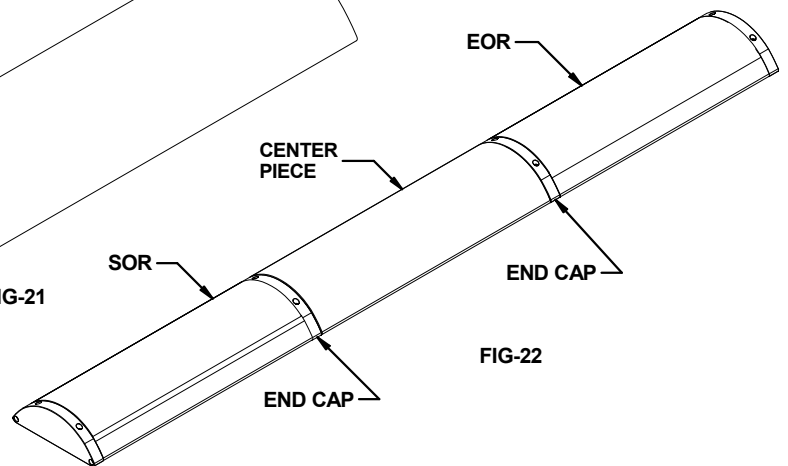


FIG-22

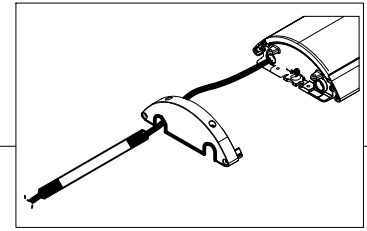
STEPS:

Note: Need to prep the mounting holes prior installing Fixture to the ceiling.

1. On the ground, add I-joiner to Center Piece extrusion (on both sides), see FIG-19.
2. Unscrew (4) 1/4-20 screws and open lens frame on fixture FIG-20.
3. Mount SOR to ceiling/wall using slots and hook up power following steps from page 5.
4. Make wire connection harness and attach Center piece to SOR, see FIG-21. Refer to pg 7 for wire harness.
5. Mount EOR to Center piece on opposite side, make wire harness connection and attach EOR to ceiling/wall.
6. Screw lens frame down on both fixtures using 1/4-20 screws (repeat above steps for additional sections/fixtures).
7. Check for mounting security and turn on power, check for operation.
8. Installation complete.

Abbreviations:

SOR = Start of run
 MOR = Middle of run
 EOR = End of run



Installation Instructions For Conduit Knockouts

Fixture: Prevent Captive Cover

