


**WARNING:** Fixtures must be grounded in accordance with local codes or the National Electrical Code. Failure to do so may result in serious personal injury.

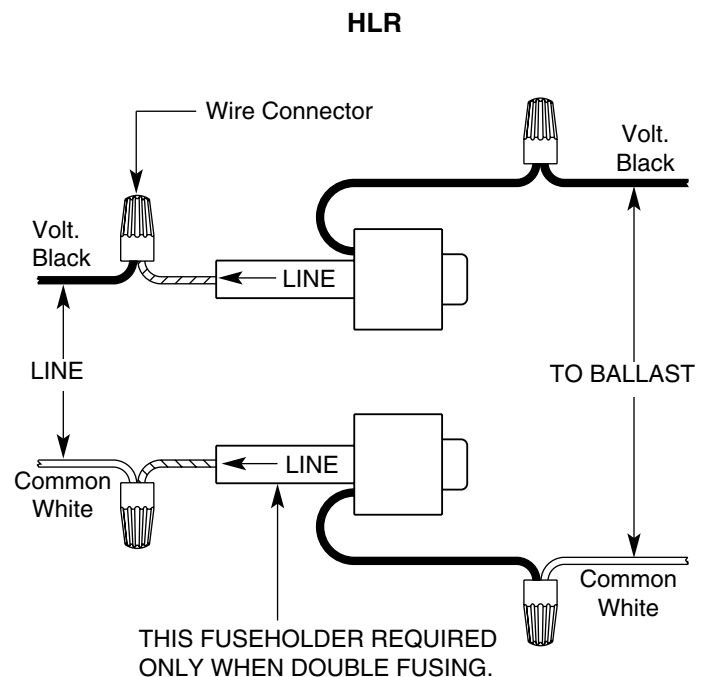
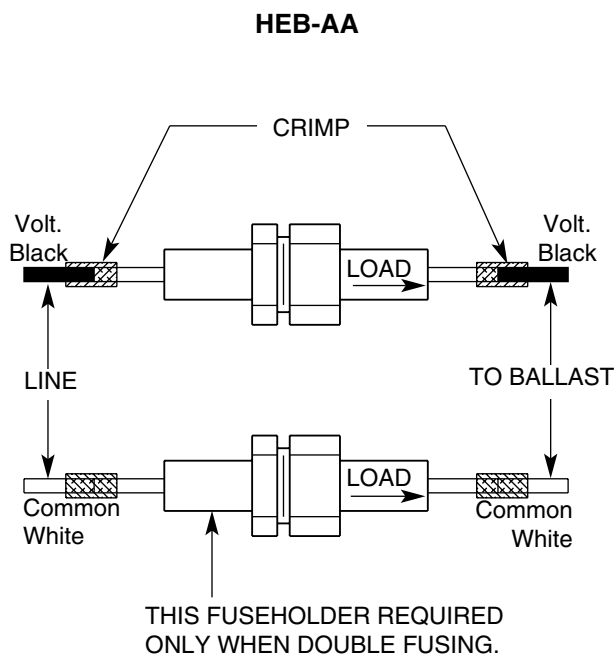
All electrical work should be done by a qualified electrician.

**NOTE:** Keep this sheet for future reference.

**INSTRUCTIONS:**  Make certain power is **OFF** before starting fuse installation.

1. Fuses should be wired in one of the following places for proper installation:
  - a. Junction box, for ground fixtures. (HEB fuses only)
  - b. Handhole in pole, aluminum or steel pole mounted fixtures.
  - c. Handhole in support arm, wall or wood pole mounted fixtures.
2. Fuseholders must be oriented correctly in circuit to prevent shock hazard. (See wiring diagram below)
3. Install fuse(s) into fuseholder(s). Attach fuseholder to leads by crimping HEB-AA type or using wire connectors on HLR type. Connections on HEB-AA type fuseholders **MUST** be insulated to prevent short circuiting.
4. Single fused fixtures **MUST** have fuseholder attached to volt (black) line. Double fused fixtures should have fuseholders attached to both volt (black) line and common (white) line.

**WARNING:** When checking double fused circuits, remove fuse from volt (black) line first.



# Fusing Instructions (For Wiring By Others)

## KIM LIGHTING LIMITED WARRANTY

When installed in accordance with Kim Installation Instructions and accepted trade practices, the following shall apply:

### General Product Limited Warranty Coverage

All material and component parts used in the manufacture of Kim Products, are warranted to be free from defects of material and/or workmanship for a period of 1 year from date of sale, with the following exceptions:

### Auxiliary Equipment

All auxiliary equipment (such as lamps, ballasts, and transformers) provided by and/or included in Kim Products shall carry the component manufacturer's warranty.

### Copper and Bronze Landscape Components

Copper and Bronze Landscape fixture components shall be warranted against defects of material and/or workmanship, and failure due to corrosion, for a period of 25 years from date of sale.

### Composite In-Grade Components

Composite In-Grade fixture components installed below grade, shall be warranted against defects of material and/or workmanship, and failure due to corrosion, for a period of 7 years from date of sale.

### Aluminum Landscape Components

Aluminum Landscape fixture components not in direct contact with soil, shall be warranted against defects of material and/or workmanship for a period of 3 years from date of sale. Aluminum fixture components in direct contact with soil shall be warranted from defects of material and failure from corrosion for a period of 1 year from date of sale.

### Limit of Liability and General Conditions

Only products which are installed, used and maintained in accordance with applicable Kim instructions, specifications and accepted trade practices, are covered by the Kim Warranty. During the warranty period, with proof of purchase, Kim will repair or replace with the same or similar product, at Kim's option, without charge. Labor costs are the owner's responsibility and are excluded from this warranty. This warranty is void if the product is modified, tampered with, misapplied, poorly installed, improperly maintained, or subjected to abnormal conditions.

Repair or replacement as provided under this warranty is the exclusive remedy for the purchaser. This warranty is in lieu of all other warranties, expressed or implied, including any implied warranty of fitness for a particular application. Kim Lighting shall not be liable to the purchaser for indirect or consequential damages.



How may we serve you better?  
Please let us know. Visit our website at:  
[www.kimlighting.com](http://www.kimlighting.com)  
Your input matters to us.