

LLF

LLF – Low Level Floodlight Installation Instructions

Catalog No.: LLF10, LLF20, LLF30, LLF40, LLF50, and LLF60

⚠ WARNING: Fixtures must be grounded in accordance with local codes or the National Electrical Code. Failure to do so may result in serious personal injury.

KEEP THIS SHEET FOR FUTURE REFERENCE.

Rough-in section numbers 85145 and 85146. Only finishing sections marked LLF10, LLF20, LLF30, LLF40, LLF50 and LLF60 may be used in housing.

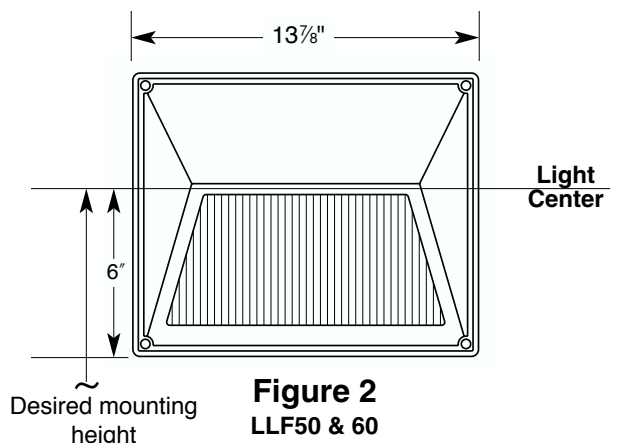
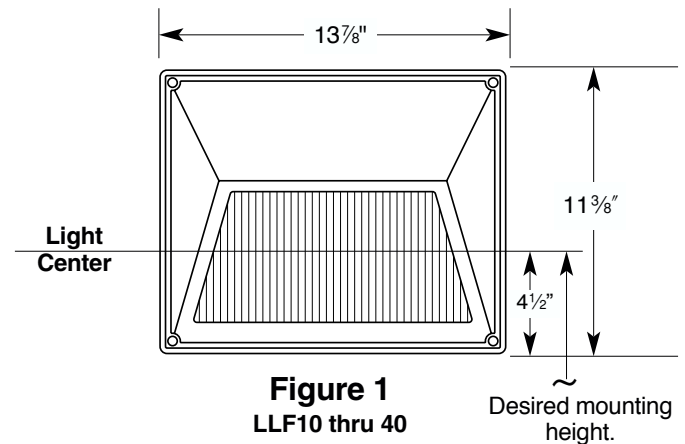
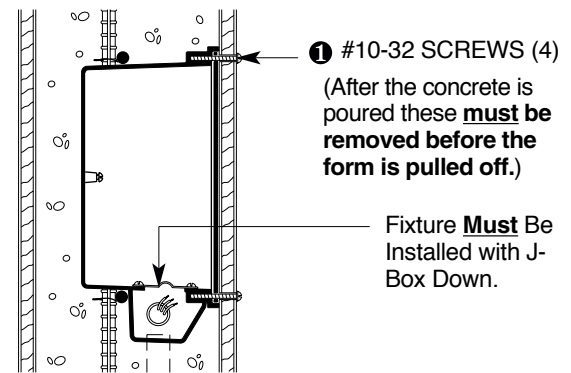
TOOLS REQUIRED: Flat Blade Screwdriver Silicone or Thread Sealant

INSTALLATION IN CONCRETE INSTRUCTIONS:

1. The housing may be fastened to the form at desired location using four #10-32 screws ❶ of the appropriate length to go through the form into the tapped holes in the corners of the housing flange. The locations of these screws are shown in Figure 1, below. The desired fixture mounting height is measured from the center of the lens, not the center of the housing. The fiberboard cover supplied with the housing may be used as a template to locate the screw holes in the form. Place the screws holding the cover into the housing (for reuse after pouring concrete). Reinstall the fiberboard cover after using it as a template. This will aid in keeping the housing gasket area clean.

IMPORTANT: After concrete has been poured, the four mounting screws ❶ **must be removed before the form is pulled off.** The tapped holes in the fixture housing are used for holding the door frame assembly; the threads will be damaged if the form is forced off before the screws are removed.

2. Tie rebar in position to hold the housing in place during pouring of concrete.
3. If two fixtures are mounted back-to-back as in a pedestal, they must be separated by a 1" minimum of concrete to prevent overheating of the ballast components.
4. The junction box is tapped 1" NPT. Connect conduit to the tapped holes at the end or bottom of the junction box as desired (field wires must be rated at least 60°C. See chart, on page 2). Seal all conduit connections with silicone sealant to prevent entry of moisture.
5. Install plugs into tapped holes remaining in junction box using thread sealant to prevent moisture from entering fixture.
6. The inside volume of the junction box is 25 cubic inches. The maximum number of through-wire and branch circuit conductors within the junction box must not exceed the limits listed in the chart below. This includes the fixture ballast leads.
7. Pour concrete in conventional manner.
8. After concrete has been poured, the four fixture mounting screws **must** be removed before the form is pulled off. See #1, above.



LLF - Low Level Floodlight Installation Instructions

- After wall is in place, make sure the interior and flange of the housing are clean and free of any cement residue. Also, make sure there is no dirt in tapped screw holes.
- Reinstall the fiberboard cover (using screws shipped with fixture) over the fixture opening to keep dirt and excessive moisture out of housing until the ballast, reflector, and door assembly are ready for installation.
- If wall is to be painted (or to receive a similar treatment) make sure that the fiberboard cover is in place before painting. This will keep the gasket area around the flange clean to provide adequate sealing when the door frame is installed.

FIELD WIRES MUST BE RATED AT LEAST 60°C				
Conductor Size	14 AWG	12 AWG	10 AWG	8 AWG
Maximum Number of Conductors	12	10	10	8

KIM LIGHTING LIMITED WARRANTY

When installed in accordance with Kim Installation Instructions and accepted trade practices, the following shall apply:

General Product Limited Warranty Coverage

All material and component parts used in the manufacture of Kim Products, are warranted to be free from defects of material and/or workmanship for a period of 1 year from date of sale, with the following exceptions:

Auxiliary Equipment

All auxiliary equipment (such as lamps, ballasts, and transformers) provided by and/or included in Kim Products shall carry the component manufacturer's warranty.

Copper and Bronze Landscape Components

Copper and Bronze Landscape fixture components shall be warranted against defects of material and/or workmanship, and failure due to corrosion, for a period of 25 years from date of sale.

Composite In-Grade Components

Composite In-Grade fixture components installed below grade, shall be warranted against defects of material and/or workmanship, and failure due to corrosion, for a period of 7 years from date of sale.

Aluminum Landscape Components

Aluminum Landscape fixture components not in direct contact with soil, shall be warranted against defects of material and/or workmanship for a period of 3 years from date of sale. Aluminum fixture components in direct contact with soil shall be warranted from defects of material and failure from corrosion for a period of 1 year from date of sale.

Limit of Liability and General Conditions

Only products which are installed, used and maintained in accordance with applicable Kim instructions, specifications and accepted trade practices, are covered by the Kim Warranty. During the warranty period, with proof of purchase, Kim will repair or replace with the same or similar product, at Kim's option, without charge. Labor costs are the owner's responsibility and are excluded from this warranty. This warranty is void if the product is modified, tampered with, misapplied, poorly installed, improperly maintained, or subjected to abnormal conditions.

Repair or replacement as provided under this warranty is the exclusive remedy of the purchaser. This warranty is in lieu of all other warranties, expressed or implied, including any implied warranty of fitness for a particular application. Kim Lighting shall not be liable to the purchaser for indirect or consequential damages.



How may we serve you better?
Please let us know. Visit our website at:
www.kimlighting.com
Your concerns are important to us.