

AFL10 & 20 Series – Architectural Floodlight Mounting Options

Installation Instructions WM1, WM2, SMT, SM2 & MTM

WARNING: Fixtures must be grounded in accordance with local codes or the National Electrical Code. Failure to do so may result in serious personal injury.

MAINTENANCE: A regularly scheduled maintenance program must be established to insure paint coating is intact, corrosion or structural damage has not occurred, and all mounting arms, rods, nuts and bolts are tight. Failure to do so could lead to damage or serious personal injury.

Mounting and strength requirements shall be engineered by others.

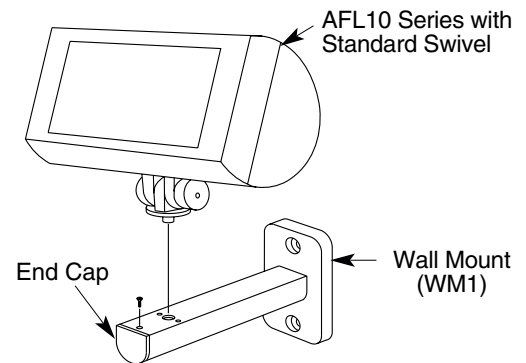
KEEP THIS SHEET FOR FUTURE REFERENCE.

WALL MOUNT (WM1)

The Wall Mount (WM1) is designed for use with AFL10 Series fixtures with Standard Swivel and is supplied with two (2) 1/2" diameter mounting holes at 5 3/16" center-to-center. It is designed to be used in conjunction with a Wall Embedment Bracket (WEB), however, it may be attached to any flat surface. **Mounting and strength requirements shall be engineered by others.**

INSTALLATION INSTRUCTIONS:

- !** Make certain the electrical supply is **OFF** before starting installation.
1. Install Wall Mount making sure it is securely attached to wall.
 2. Install fixture per fixture installation instructions.



Wall Mount (WM1)

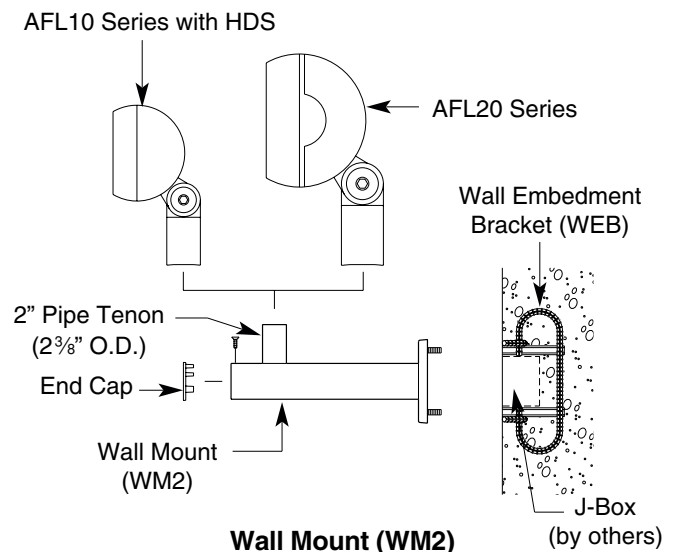
WALL MOUNT (WM2)

The Wall Mount (WM2) is designed for use with AFL10 Series fixtures with Heavy Duty Swivel or AFL20 Series fixtures. It is supplied with two (2) 1/2" diameter mounting holes at 5 3/16" center-to-center. The Wall Mount is designed to be used in conjunction with a Wall Embedment Bracket (WEB), however, it may be attached to any flat surface. **Mounting and strength requirements shall be engineered by others.**

INSTALLTION INSTRUCTIONS:

! Make certain the electrical supply is **OFF** before starting installation.

1. Install Wall Mount making sure it is securely attached to wall. Seal under wall mount as required.
2. Install fixture per fixture installation instructions.



Wall Mount (WM2)

AFL10 & 20 Series Architectural Floodlight Mounting Options

Installation Instructions WM1, WM2, SMT, SM2 & MTM

AFL10 Series w/STANDARD SWIVEL
AFL10 Series w/HEAVY DUTY SWIVEL
AFL20 Series w/HEAVY DUTY SWIVEL

SURFACE MOUNT (SMT)

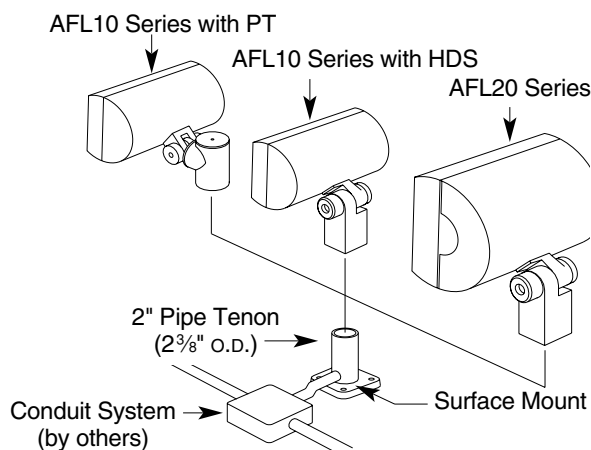
The Surface Mount (SMT) is designed for use with AFL10 Series fixtures with Heavy Duty Swivel or AFL20 Series fixtures; it can be used with AFL10 Series fixtures with Standard Swivel using a post mount (PT). It is supplied with four (4) 1/2" diameter mounting holes evenly spaced on a 5" bolt circle diameter and 1/2" NPT tapping on side for conduit entry. It will attach to any flat surface. Mounting and strength requirements shall be engineered by others.

INSTALLATION INSTRUCTIONS:

⚠ Make certain the electrical supply is **OFF** before starting installation.

1. Install Surface Mount in desired location. Seal under wall mount as required. Route conduit as required. Fish wires through conduit system.
2. Install fixture per fixture installation instructions.

Mounting and strength requirements shall be engineered by others.



Surface Mount (SMT)

Stanchion Mount (SM2)

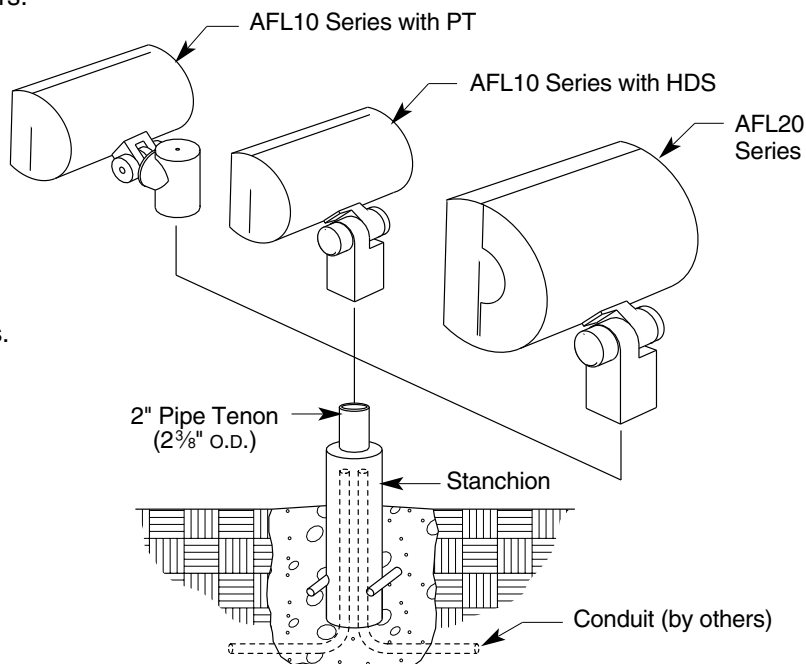
The Stanchion Mount (SM2) is designed for use with AFL10 Series fixtures with Heavy Duty Swivel or AFL20 Series fixtures; it can be used with AFL10 Series fixtures with Standard Swivel using a post mount (PT). It is made to be set directly into concrete. Inside diameter of stanchion is 3 1/2" inches and will accommodate up to two (2) 1" diameter conduits. Concrete and soil engineering by others.

INSTALLATION INSTRUCTIONS:

⚠ Make certain the electrical supply is **OFF** before starting installation.

1. Dig hole to obtain desired mounting height and adequate strength for local soil conditions.
2. Route conduit as required.
3. Embed stanchion directly into concrete.
4. Fish wires (by others) out through top of stanchion.
5. Install fixture per fixture installation instructions.

**CONCRETE AND SOIL
ENGINEERING BY OTHERS.**



AFL10 & 20 Series Architectural Floodlight Mounting Options


AFL10 Series w/STANDARD SWIVEL
AFL10 Series w/HEAVY DUTY SWIVEL
AFL20 Series w/HEAVY DUTY SWIVEL

Installation Instructions WM1, WM2, SMT, SMT2, & MTM

Multiple Top Mount (MTM)

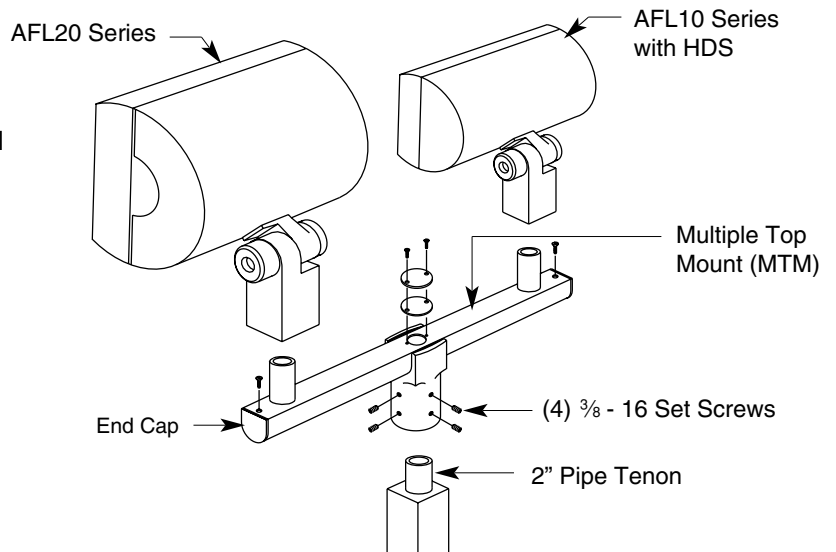
Multiple Top Mount (MTM) can be used with AFL10 Series fixtures with HDS or AFL20 Series fixtures. MTMs attach to any 2" pipe tenon (2 $\frac{3}{8}$ " O.D. x 4 $\frac{1}{2}$ " inches long). Steel tenons are suggested for all Multiple Top Mounts to assure adequate strength. Mounting and strength requirements to be engineered by others.

INSTALLATION INSTRUCTIONS:

 Make certain the electrical supply is **OFF** before starting installation.

1. Fish wires (by others) through MTM and install MTM over tenon being careful not to pinch wires.
2. Orient to desired direction and tighten (4) $\frac{3}{8}$ -16 set screws. Torque set screws to 10 foot pounds.
3. To prevent windmilling, remove tenon set screw, drill recess in tenon for screw point, and replace screw.
4. Install fixture per fixture installation instructions.

MOUNTING AND STRENGTH
REQUIREMENTS SHALL BE
ENGINEERED BY OTHERS.



KIM LIGHTING LIMITED WARRANTY

When installed in accordance with Kim Installation Instructions and accepted trade practices, the following shall apply:

General Product Limited Warranty Coverage

All material and component parts used in the manufacture of Kim Products, are warranted to be free from defects of material and/or workmanship for a period of 1 year from date of sale, with the following exceptions:

Auxiliary Equipment

All auxiliary equipment (such as lamps, ballasts, and transformers) provided by and/or included in Kim Products shall carry the component manufacturer's warranty.

Copper and Bronze Landscape Components

Copper and Bronze Landscape fixture components shall be warranted against defects of material and/or workmanship, and failure due to corrosion, for a period of 25 years from date of sale.

Composite In-Grade Components

Composite In-Grade fixture components installed below grade, shall be warranted against defects of material and/or workmanship, and failure due to corrosion, for a period of 7 years from date of sale.

Aluminum Landscape Components

Aluminum Landscape fixture components not in direct contact with soil, shall be warranted against defects of material and/or workmanship for a period of 3 years from date of sale. Aluminum fixture components in direct contact with soil shall be warranted from defects of material and failure from corrosion for a period of 1 year from date of sale.

Limit of Liability and General Conditions

Only products which are installed, used and maintained in accordance with applicable Kim instructions, specifications and accepted trade practices, are covered by the Kim Warranty. During the warranty period, with proof of purchase, Kim will repair or replace with the same or similar product, at Kim's option, without charge. Labor costs are the owner's responsibility and are excluded from this warranty. This warranty is void if the product is modified, tampered with, misapplied, poorly installed, improperly maintained, or subjected to abnormal conditions.

Repair or replacement as provided under this warranty is the exclusive remedy of the purchaser. This warranty is in lieu of all other warranties, expressed or implied, including any implied warranty of fitness for a particular application. Kim Lighting shall not be liable to the purchaser for indirect or consequential damages.



How may we serve you better?
Please let us know. Visit our website at:
www.kimlighting.com
Your concerns are important to us.