



EL205

Accent Lights Installation Instructions

INSTRUCTIONS PERTAINING TO A RISK OF FIRE, OR INJURY TO PERSONS IMPORTANT SAFETY INSTRUCTIONS!

⚠ WARNING: Fixtures must be grounded in accordance with local codes or the National Electrical Code. Portable spear or tree mounts using a cord and plug must be plugged into a receptacle protected by a Ground Fault Circuit Interrupter (GFCI) in accordance with the National Electrical Code. Failure to take these steps may result in serious personal injury. **DO NOT** operate luminaire with missing or damaged lens.

CAUTION: Lighted lamp is **HOT!** Do not touch hot lens, guard or enclosure. Fixtures are approved for above ground installation only.

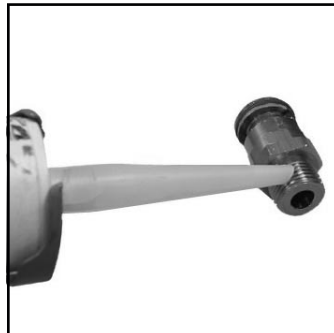
MAINTENANCE: To maintain light efficiency and prevent fixture overheating, lenses must be kept clean and free of dirt, dust, leaves, trash and mineral deposits from water. For optimum performance a regularly scheduled maintenance program should be followed. **KEEP THIS SHEET FOR FUTURE REFERENCE.**

Your KIM fixture is supplied with 1/2" NPSM male mounting thread. It may be installed so that fixture is aimed up or down (see item 7 below).

INSTALLATION INSTRUCTIONS: **⚠** Make certain electrical supply is **OFF** before starting fixture installation.

Tools Required:

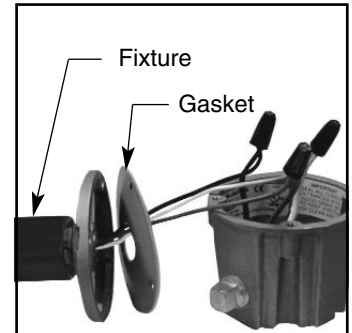
- Thread Sealant
- Silicone Grease
- 3/16" Allen Wrench
- 1/8" Allen Wrench
- Adjustable Wrench
- Philips Head Screwdriver



1. Coat threads with a good sealant.



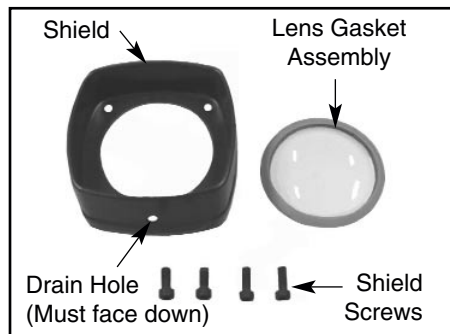
2. Tighten coupling onto mounting device. (Consult KIM Landscape Catalog for mounting device options.)



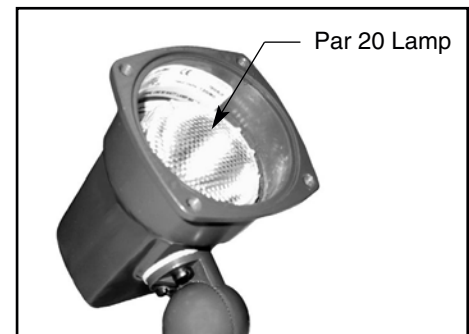
3. Install fixture onto coupling. Attach fixture leads observing polarity, i.e.; green-to-ground, white-to-common and black-to-voltage.



4. Remove shield screws, shield, and lens gasket assembly.

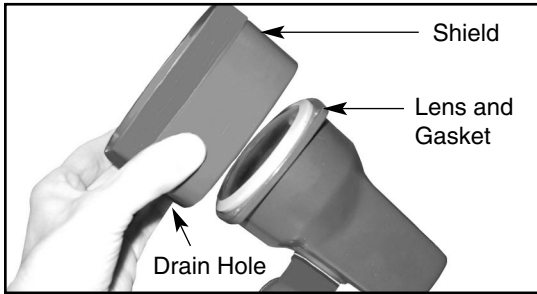


5. Removed shield and lens gasket assembly.



6. Install lamp of type and wattage as shown on fixture label and chart on page 2. Do not exceed maximum wattage.

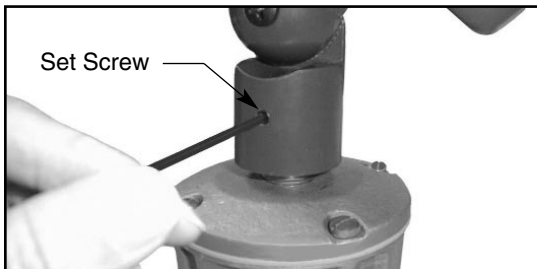
Accent Lights EL205 Installation Instructions



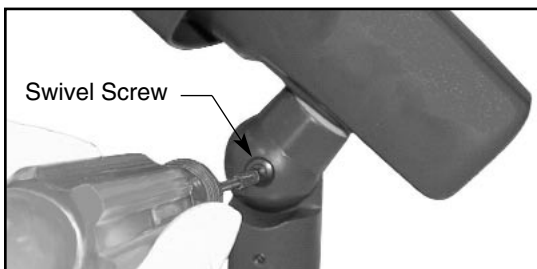
7. Replace lens (convex side out), fitting lens and gasket into recess in body casting. Place shield over lens, making sure the drain hole is down so that water will drain away from lens.



8. Coat screws with silicone grease and tighten progressively.



9. To adjust angle, loosen set screw in swivel. Tighten set screw firmly to lock angle adjustment of fixture.



10. Loosen swivel screw - **do not disengage**. Hold fixture at desired angle and tighten swivel screw firmly.

KIM LIGHTING LIMITED WARRANTY

When installed in accordance with Kim Installation Instructions and accepted trade practices, the following shall apply:

General Product Limited Warranty Coverage

All material and component parts used in the manufacture of Kim Products, are warranted to be free from defects of material and/or workmanship for a period of 1 year from date of sale, with the following exceptions:

Auxiliary Equipment

All auxiliary equipment (such as lamps, ballasts, and transformers) provided by and/or included in Kim Products shall carry the component manufacturer's warranty.

Copper and Bronze Landscape Components

Copper and Bronze Landscape fixture components shall be warranted against defects of material and/or workmanship, and failure due to corrosion, for a period of 25 years from date of sale.

Composite In-Grade Components

Composite In-Grade fixture components installed below grade, shall be warranted against defects of material and/or workmanship, and failure due to corrosion, for a period of 7 years from date of sale.

Aluminum Landscape Components

Aluminum Landscape fixture components not in direct contact with soil, shall be warranted against defects of material and/or workmanship for a period of 3 years from date of sale. Aluminum fixture components in direct contact with soil shall be warranted from defects of material and failure from corrosion for a period of 1 year from date of sale.

Limit of Liability and General Conditions

Only products which are installed, used and maintained in accordance with applicable Kim instructions, specifications and accepted trade practices, are covered by the Kim Warranty. During the warranty period, with proof of purchase, Kim will repair or replace with the same or similar product, at Kim's option, without charge. Labor costs are the owner's responsibility and are excluded from this warranty. This warranty is void if the product is modified, tampered with, misapplied, poorly installed, improperly maintained, or subjected to abnormal conditions.

Repair or replacement as provided under this warranty is the exclusive remedy of the purchaser. This warranty is in lieu of all other warranties, expressed or implied, including any implied warranty of fitness for a particular application. Kim Lighting shall not be liable to the purchaser for indirect or consequential damages.



How may we serve you better?
Please let us know. Visit our website at:
www.kimlighting.com
Your concerns are important to us.

LAMP INFORMATION

CAT. NO.	LAMP TYPE	MAX. WATTS
EL205	Par20 Halogen / R20 Incand.	50

WARNING!

The H.I.D. / Fluorescent fixture utilizes a lamp that may contain mercury. For information on disposal of lamp, go to website: www.lamprecycle.org