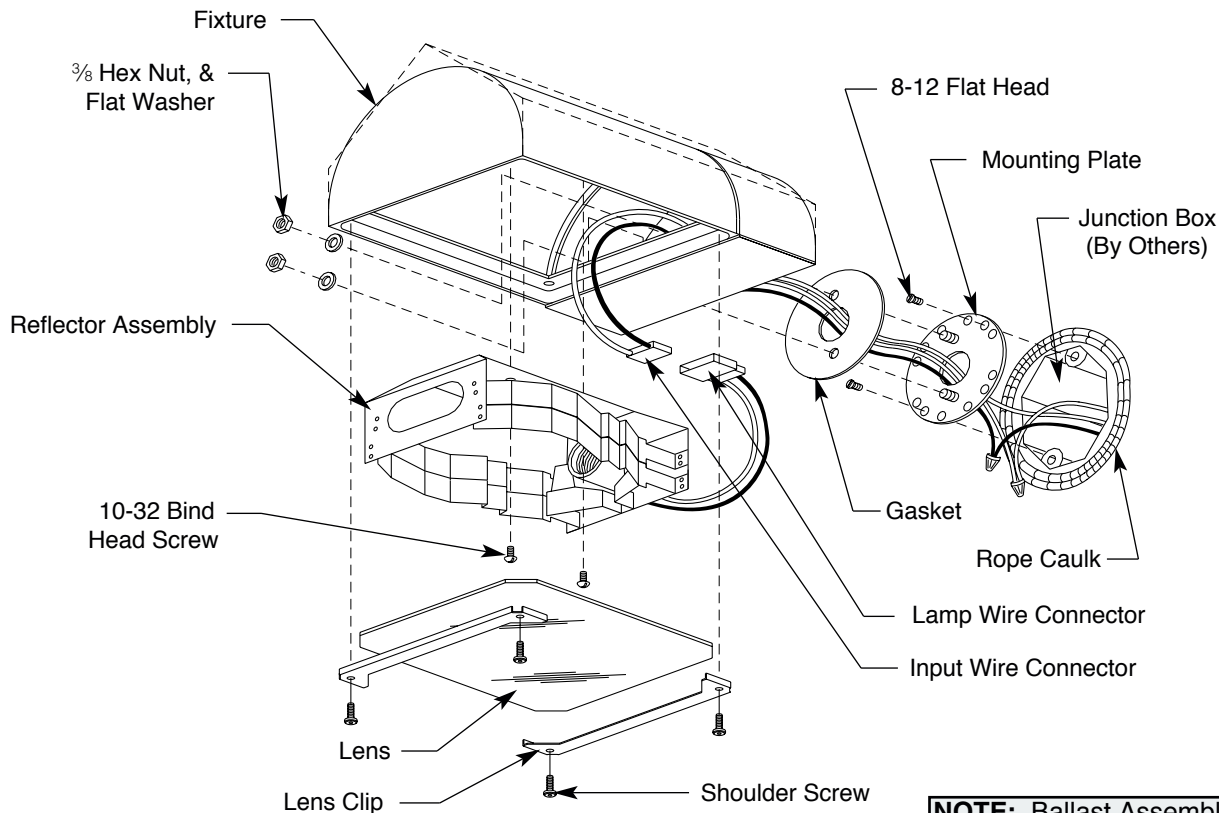


SITE WALLFORMS - SW1 / SW3 Installation Instructions

MAINTENANCE: For optimum performance a regularly scheduled maintenance program should be followed.

NOTE: KEEP THIS SHEET FOR FUTURE REFERENCE.



NOTE: Ballast Assembly Not Shown

Tools Required: 1/8" Hex Key Flat Head Screwdriver Ratchet with 9/16" Socket 3" Extension

Installation Instructions:  Make certain electrical supply is **OFF** before starting fixture installation.

1. Place rope caulk around junction box to provide a continuous seal against the fixture back. Attach mounting plate to J-Box with (2) 8-31 flat head screws (provided).
2. Remove lens, reflector assembly, and ballast assembly.
3. Attach fixture leads to circuit leads observing polarity, i.e.; green-to-ground, white-to-common and black-to-voltage. Tuck all leads and connections into J-Box.
4. Guide fixture onto mounting plate studs. Level fixture and secure with (2) flat washers, and (2) 3/8" hex nuts (provided). Tighten securely.
5. Install ballast assembly. Join input wire connector with mating connector on ballast assembly. Join lamp wire connector with mating connector on ballast assembly. (For incandescent fixtures, join input wire connector with lamp wire connector.)
6. Install reflector assembly with (2) 10-32 bind head screws.
7. Install lamp of type and wattage shown on fixture label. L.E.D. lamps available in 30W & 60 W. Do not exceed maximum wattage.
8. Replace lens assembly making sure gasket is clean. Tighten screws progressively and evenly to insure even gasket pressure.

SW - Site Wallforms Installation Instructions

MAINTENANCE INSTRUCTIONS

Lamp Installation or Replacement: ⚠ Make sure electricity is **OFF** before starting fixture installation.

Note: Coated lamps are recommended for optimum uniformity of light.

1. Progressively loosen (4) 10-32 socket head lens screws using a 1/8" hex key and remove lens.
2. Install lamp into socket. Only use lamp type and wattage shown on fixture label affixed to reflector assembly. Do not exceed maximum wattage.
3. Replace lens making sure gasket is clean. Tighten screws progressively and evenly to insure even gasket pressure.



WARNING:

This H.I.D. / Fluorescent fixture utilizes a lamp that may contain mercury. For information on disposal of lamp go to website: www.lamprecycle.org

Cleaning Lexan Lens and Reflector Assembly:

⚠ Make certain the electrical supply is **OFF** before cleaning.

1. Progressively loosen four 10-32 socket head lens screws. **NOTE:** Lens screws are self-retained to lens clip.
2. Remove lamp.
3. Dusting with a clean, dry cloth is normally sufficient to clean the reflector.
4. Clean lens with a mild detergent.
5. Re-install lamp. Replace lens making sure gasket is clean. Tighten screws progressively and evenly to insure even gasket pressure.

REPLACEMENT PARTS

DESCRIPTIONS	PART NO.
Glass Lens	84138
*Retrofit Lens Assembly	85624

*Retrofit glass lens assembly to convert from acrylic lens.

KIM LIGHTING LIMITED WARRANTY

When installed in accordance with Kim Installation Instructions and accepted trade practices, the following shall apply:

General Product Limited Warranty Coverage

All material and component parts used in the manufacture of Kim Products, are warranted to be free from defects of material and/or workmanship for a period of 1 year from date of sale, with the following exceptions:

Auxiliary Equipment

All auxiliary equipment (such as lamps, ballasts, and transformers) provided by and/or included in Kim Products shall carry the component manufacturer's warranty.

Copper and Bronze Landscape Components

Copper and Bronze Landscape fixture components shall be warranted against defects of material and/or workmanship, and failure due to corrosion, for a period of 25 years from date of sale.

Composite In-Grade Components

Composite In-Grade fixture components installed below grade, shall be warranted against defects of material and/or workmanship, and failure due to corrosion, for a period of 7 years from date of sale.

Aluminum Landscape Components

Aluminum Landscape fixture components not in direct contact with soil shall be warranted against defects of material and/or workmanship for a period of 3 years from date of sale. Aluminum fixture components in direct contact with soil shall be warranted from defects of material and failure from corrosion for a period of 1 year from date of sale.

Limit of Liability and General Conditions

Only products which are installed, used and maintained in accordance with applicable Kim instructions, specifications and accepted trade practices, are covered by the Kim Warranty. During the warranty period, with proof of purchase, Kim will repair or replace with the same or similar product, at Kim's option, without charge. Labor costs are the owner's responsibility and are excluded from this warranty. This warranty is void if the product is modified, tampered with, misapplied, poorly installed, improperly maintained, or subjected to abnormal conditions.

Repair or replacement as provided under this warranty is the exclusive remedy of the purchaser. This warranty is in lieu of all other warranties, expressed or implied, including any implied warranty of fitness for a particular application. Kim Lighting shall not be liable to the purchaser for indirect or consequential damages.



How may we serve you better?
Please let us know. Visit our website at:
www.kimlighting.com
Your concerns are important to us.