



KLV—Low Voltage Mounting Options

Installation Instructions

INSTRUCTIONS PERTAINING TO A RISK OF FIRE OR INJURY TO PERSONS

IMPORTANT SAFETY INSTRUCTIONS!

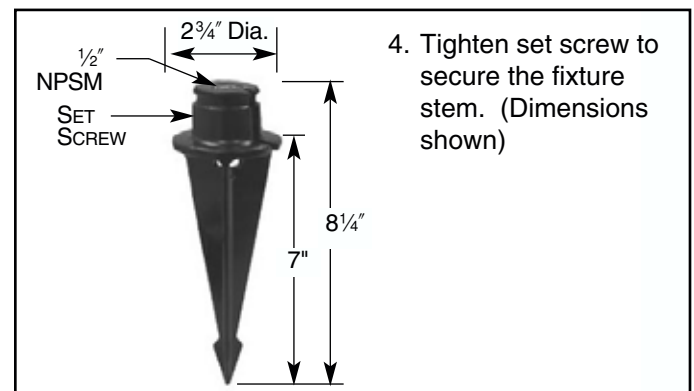
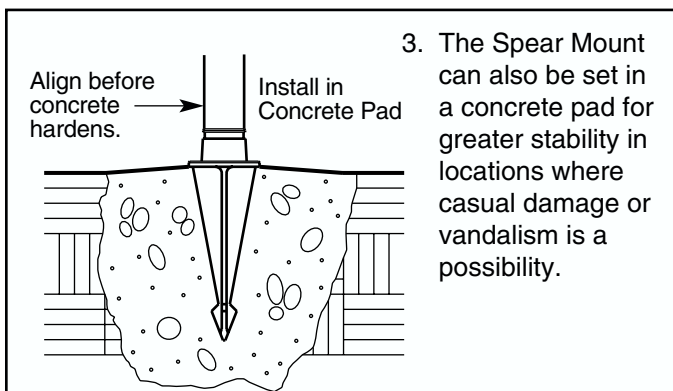
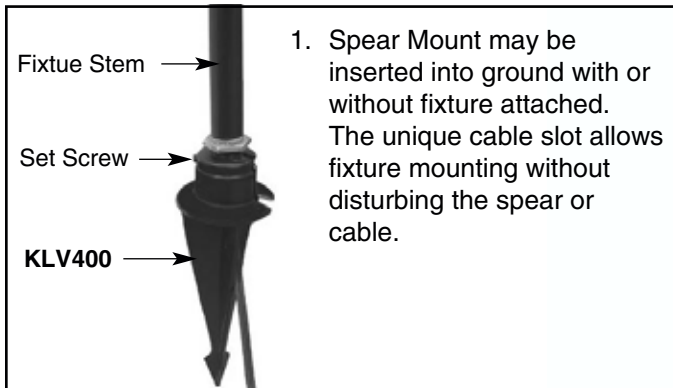
⚠ WARNING - To reduce the risk of FIRE OR INJURY TO PERSONS: Do not overdrive fixtures with greater than 12 volts or fixture over-heating and short lamp life will occur. Do not overload the transformer by installing (or re-lamping) higher wattage lamps than planned. Note: Total wattage of all lamps connected to one transformer must not exceed the capacity of that transformer. Do not install luminaire within 10 feet (3.04m) of a pool, spa, or fountain.

⚠ SAFETY WARNING: When relamping, be sure electrical supply is OFF. Low voltage fixtures can become very hot depending on the lamp wattage used. Glass lenses and metal areas above & around the lamp can become hot enough to blister hands. Use discretion when touching fixture and be sure to allow fixture to cool before relamping. When relamping fixture avoid touching the lamp envelope with bare hands. If touching the lamp is necessary during installation, clean the envelope with alcohol and dry with a clean, soft cloth before turning ON. Contamination of the envelope may reduce lamp performance. To maintain light efficiency and prevent fixture-overheating, glass lenses and enclosure must be kept clean and free of dirt, dust, leaves, trash (combustible materials) and mineral deposits from water. Particular care should be taken not to locate fixtures where small children can reach them if higher wattage's are used.

NOTE: Keep the lamp free from impact while burning, as this may deform the filament and shorten the lamp life. NOT INTENDED FOR INDOOR USE. All electrical work should be done by a qualified electrician. KEEP THIS SHEET FOR FUTURE REFERENCE.

KLV400 SPEAR MOUNT Installation Instructions:

Tool Required: 1/8" Allen Wrench



KLV 405 SURFACE MOUNT & KLV415 EXTENSION MODULE on reverse side

KLV - Low Voltage Mounting Options

Installation Instructions

KLV405 SURFACE MOUNT

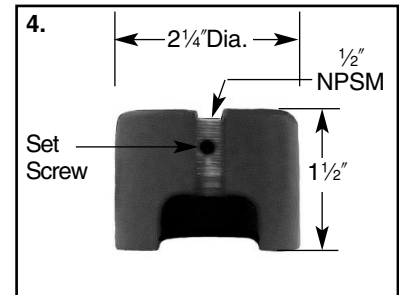
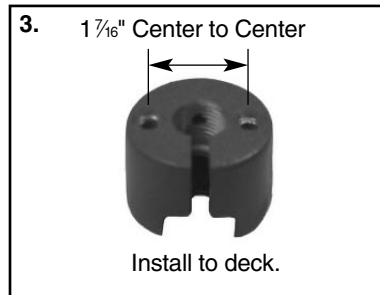
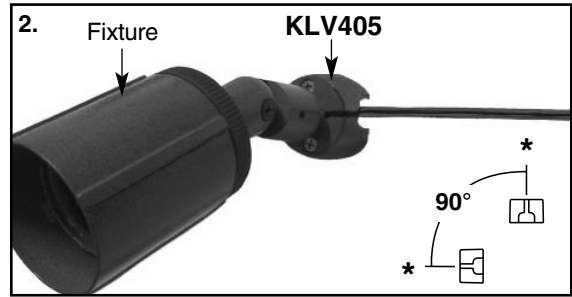
Tools Required: 1/8" Allen Wrench Flat Blade Screwdriver

Installation Instructions:

1. The unique cable slot allows attachment of Surface Mount before mounting fixture.
2. Can be used to mount adjustable accent lights to vertical or horizontal surfaces such as trees, patio structures, eaves, or wood decks. May also be used for mounting path or spread lights to wood decks.

***Note:** Surface Mount must be installed with the 1/2" N.P.S.M. facing up-to-horizontal. **Fixtures may not be installed with their 1/2" N.P.T. mount facing upward unless shielded from rain or sprinklers.**

3. To mount to a wood surface, drill two 5/32" dia. holes 1 7/16" apart. Install with the two screws provided. Attach fixture.
4. Tighten set screw to secure the fixture stem. (Dimensions shown).



KLV415 EXTENSION MODULE



KLV415

The KIM 9" long Extension Module is an essential component to a well planned landscape lighting system. Because low voltage fixtures are small they can easily become engulfed by maturing ground cover or shrubbery. The Extension Module functions by raising the fixtures to a proper height above the foliage for efficient operation. It can be used with adjustable accent lights, path lights, or spread lights. The Extension Module should be installed during the initial fixture installation. If added later, the fixture-to-cable connection must be broken and rewired.

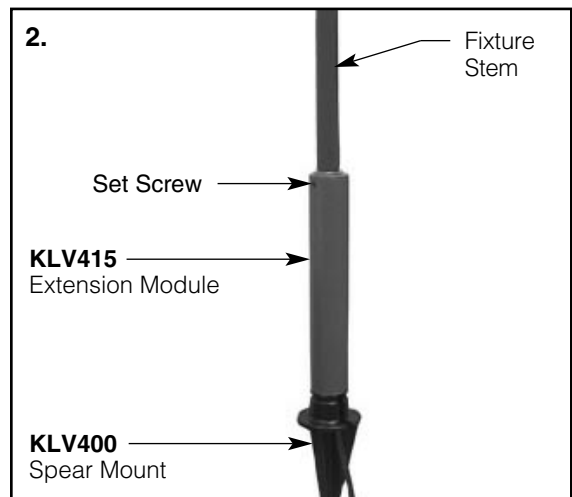
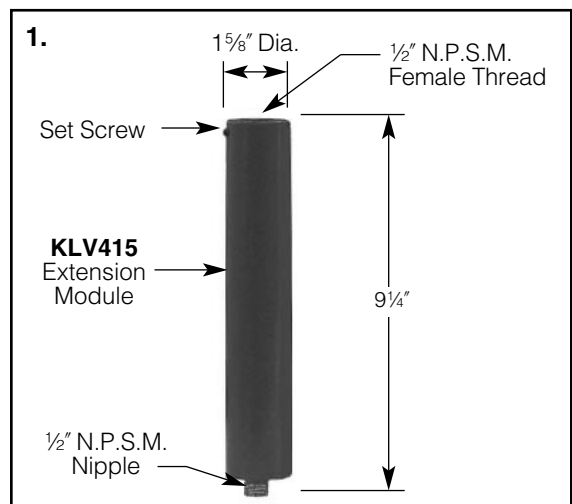
Tool Required: 1/8" Allen Wrench

Installation Instructions:

1. Attach fixture to 1/2" N.P.S.M. female thread in the Extension Module after fixture cable is fed through. Attach the complete assembly to Spear Mount Option, Surface Mount Option, or Extension Module Option.

NOTE: Two modules may be stacked for additional height. The addition of each Extension Module reduces the distance fixture may be mounted from main system cable by approximately ten inches.

2. Tighten the stainless steel set screw to secure the fixture stem to the Extension Module. (Dimensions shown).



Additional wire and connectors may be purchased from Kim Lighting:

- KLV427 #12-2 Cable
- KLV432 #8-2 Cable
- KLV410 Connector
- KLV411 Connector

KLV - Low Voltage Mounting Options

Installation Instructions

KIM LIGHTING LIMITED WARRANTY

When installed in accordance with Kim Installation Instructions and accepted trade practices, the following shall apply:

General Product Limited Warranty Coverage

All material and component parts used in the manufacture of Kim Products, are warranted to be free from defects of material and/or workmanship for a period of 1 year from date of sale, with the following exceptions:

Auxiliary Equipment

All auxiliary equipment (such as lamps, ballasts, and transformers) provided by and/or included in Kim Products shall carry the component manufacturer's warranty.

Copper and Bronze Landscape Components

Copper and Bronze Landscape fixture components shall be warranted against defects of material and/or workmanship, and failure due to corrosion, for a period of 25 years from date of sale.

Composite In-Grade Components

Composite In-Grade fixture components installed below grade, shall be warranted against defects of material and/or workmanship, and failure due to corrosion, for a period of 7 years from date of sale.

Aluminum Landscape Components

Aluminum Landscape fixture components not in direct contact with soil, shall be warranted against defects of material and/or workmanship for a period of 3 years from date of sale. Aluminum fixture components in direct contact with soil shall be warranted from defects of material and failure from corrosion for a period of 1 year from date of sale.

Limit of Liability and General Conditions

Only products which are installed, used and maintained in accordance with applicable Kim instructions, specifications and accepted trade practices, are covered by the Kim Warranty. During the warranty period, with proof of purchase, Kim will repair or replace with the same or similar product, at Kim's option, without charge. Labor costs are the owner's responsibility and are excluded from this warranty. This warranty is void if the product is modified, tampered with, misapplied, poorly installed, improperly maintained, or subjected to abnormal conditions. Repair or replacement as provided under this warranty is the exclusive remedy of the purchaser. This warranty is in lieu of all other warranties, expressed or implied, including any implied warranty of fitness for a particular application. Kim Lighting shall not be liable to the purchaser for indirect or consequential damages.



How may we serve you better?
Please let us know. Visit our website at:
www.kimlighting.com
Your input matters to us.