

# The Wall Director® – WD18 Model Installation Instructions

## IMPORTANT SAFETY INSTRUCTIONS!



**WARNING:** Fixtures must be grounded in accordance with local codes or the National Electrical Code. Failure to do so may result in serious personal injury.

**CAUTION:** Up and Down models are not interchangeable. Installing fixtures without regard to model designation (UP or DOWN) could result in water intrusion, fixture damage, or lens breakage.

**ATTENTION:** All wiring must be done by a qualified electrician. **KEEP THIS SHEET FOR FUTURE REFERENCE.**

**Attention:** If your fixture is equipped with a multi-tap ballast and no voltage was specified on the purchase order, the ballast has been wired for operation on a 277 volt circuit (347v in Canada). If other than 277 volts is required, i.e. 120V, 208V, 240V, connect incoming voltage lead to selected voltage lead on ballast. Cap off all unused leads.

### Tools Required:

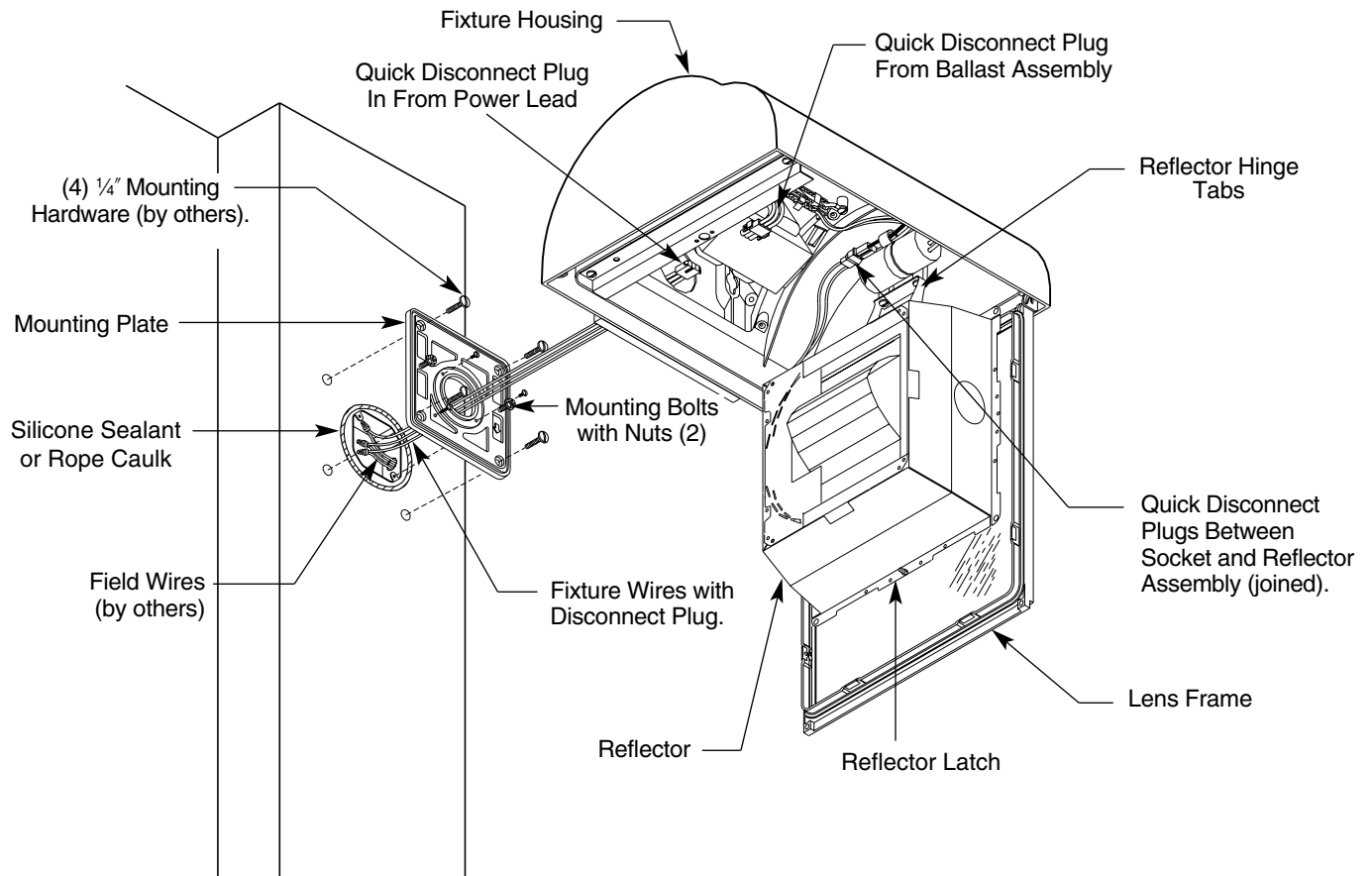
Flat Blade Screwdriver


5/32" Allen Wrench

Silicone Sealant\*

Torque Wrench with 3" extension

7/16" Socket



**Installation Instructions:**  Make certain electrical supply is **OFF** before starting installation.


1. Install mounting bolts through backside of mounting plate making sure bolt heads seat in recessed hex and attach mounting plate to wall surface with four (4) 1/4" bolts (by others), following the orientation label on mounting plate. Make sure the mounting bolts on the mounting plate are level and that the nuts are flush with the ends of the mounting bolts after plate is installed. *If mounting plate is embedded in concrete*, attach the two (2) 1/4-20 bolts (supplied) to threaded inserts on mounting plate so that 1" of bolt thread is exposed. Discard the two (2) 1/4-20 bolts for surface mounted fixtures.

**CAUTION:** \*Silicone sealant or rope caulk must be installed between mounting plate and mounting surface.

(continued on back)

# The Wall Director® – WD18 Model Installation Instructions

2. Connect fixture wires with disconnect plug to field wires observing polarity, i.e. green-to-ground, white-to-common, and black-to-voltage. Tuck all leads and connections into J-box.
3. Open fixture by loosening two (2) self-retained fasteners on lens frame and gently swinging open the lens frame.
4. Unlatch the reflector assembly by pulling it outward at the latch end and allowing it to swing open. Remove reflector by grasping hinge tabs near pivot point and gently flexing tabs inward.
5. Hold fixture with both hands and guide keyhole slots (on back of ballast compartment) onto mounting plate bolts, then slide fixture down. Tighten nuts to 5-8 ft-lbs.
6. Join the disconnect plugs between the power lead-in and the ballast assembly.
7. Attach reflector to hinge tabs; make sure that both hinge tabs are engaged. Join the disconnect plug halves between the socket and ballast assembly.
8. Swing reflector into the housing making sure no wires are pinched, close lens frame and tighten two (2) fasteners, progressively & evenly to apply proper pressure on gasket.

**Lamp Installation:**  Make certain electricity is **OFF** before starting installation.

1. Screw the proper lamp (as per fixture label) into the socket and tighten the lamp sufficiently to ensure a vibration-safe installation.
2. After tightening, gently adjust both horizontal and vertical lamp positions so the lamp is in line with the lamp holder and centered in the reflector.

**WARNING:**

This H.I.D. / Fluorescent fixture utilizes a lamp that may contain mercury. For information on disposal of lamp, go to website:  
[www.lamprecycle.org](http://www.lamprecycle.org)

**Aiming Adjustment:**

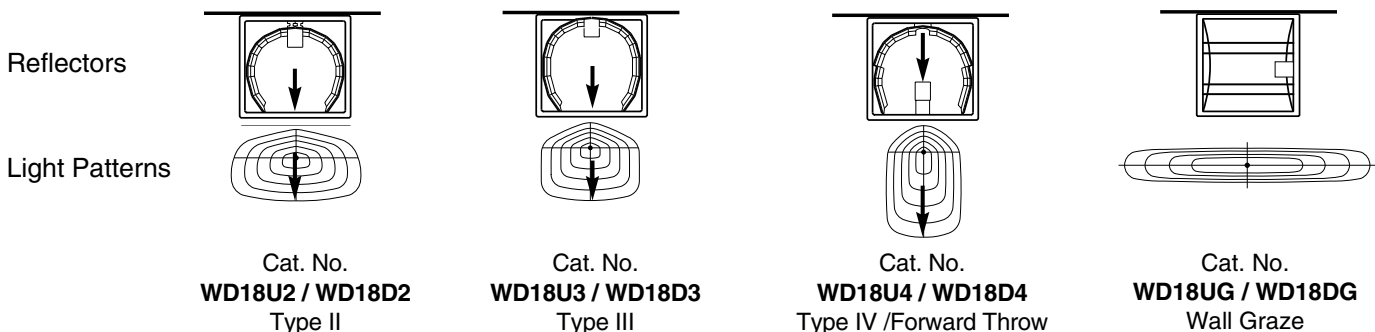
Aiming angle can be adjusted between 0° and 10°. Angle adjustment scale is located on the exterior of housing. It is not necessary to reset fixture angle after servicing of lamp or ballast.

*To adjust angle:* Loosen the two (2) allen head screws on both sides of ballast compartment (from outside) until they stop. Rotate the fixture housing to desired angle and tighten allen head screws until they stop.

**Maintenance Instructions:**  Make certain electricity is **OFF** before starting maintenance procedures.

1. A regularly scheduled maintenance program should be established to retain optimum light output and reduce heat retention. **To prevent fixture UP model fixtures from overheating, lenses must be kept clean and free of dirt, dust, leaves, trash and mineral deposits from water regularly.** Dusting with a soft, clean, dry cloth is normally sufficient for the reflector. **Do not use alkaline or acid cleaners on reflector surfaces.**
2. Any accumulation of dust or dirt should be removed regularly from both sides of the lens during relamping (using ammonia water).

**Reflector Plans and Light Distributions:**



# The Wall Director® - WD18 Model Installation Instructions

## Removing and Replacing of Glass Lens:

### DOWN MODELS:

1. In the event the glass lens or polycarbonate shield should need replacing, remove the lens frame and lay it on a padded surface.
2. Insert the tip of a large flat blade screwdriver under the lens clip legs and twist to remove (see diagram, *below*).
3. Remove all the broken pieces of glass and make sure no glass fragments remain on top of the lens gasket.
4. Lay the new lens on top of gasket and install the new lens clips by applying pressure, first by fingers and then using a small block of wood and tapping on clips until the spring legs open to half their depth (see diagram, *below*).
5. Attach lens frame to housing, close and tighten the two (2) ¼-turn fasteners.

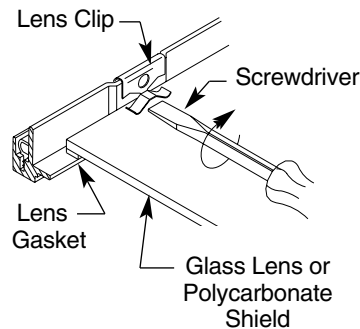
**UP MODELS:** The entire lens frame assembly (PN 85594) will be replaced.

1. Open lens frame. While supporting lens frame, remove hinge screw from hinge bracket on one side of frame only, which will free the lens frame assembly. Replace with new lens frame assembly.
2. Replace hinge screw and bracket. Close lens frame.

### DOWN MODELS ONLY:

#### To Remove Lens Clip:

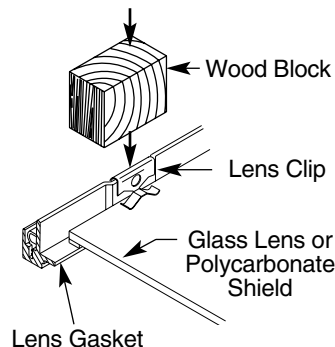
Insert tip of a large flat blade screwdriver under the lens clip legs and twist to remove.



### DOWN MODELS ONLY:

#### To Install Lens Clip:

Use small block of wood and tap on clips until the spring legs open to half their depth.



Part Numbers for WD18 models only	
Lens Type	Part No.
Standard Tempered Glass	84134
Optional Polycarbonate Shield	83153
Inverted Lens Frame Assembly	85594

## KIM LIGHTING LIMITED WARRANTY

When installed in accordance with Kim Installation Instructions and accepted trade practices, the following shall apply:

### General Product Limited Warranty Coverage

All material and component parts used in the manufacture of Kim Products, are warranted to be free from defects of material and/or workmanship for a period of 1 year from date of sale, with the following exceptions:

### Auxiliary Equipment

All auxiliary equipment (such as lamps, ballasts, and transformers) provided by and/or included in Kim Products shall carry the component manufacturer's warranty.

### Copper and Bronze Landscape Components

Copper and Bronze Landscape fixture components shall be warranted against defects of material and/or workmanship, and failure due to corrosion, for a period of 25 years from date of sale.

### Composite In-Grade Components

Composite In-Grade fixture components installed below grade, shall be warranted against defects of material and/or workmanship, and failure due to corrosion, for a period of 7 years from date of sale.

### Aluminum Landscape Components

Aluminum Landscape fixture components not in direct contact with soil, shall be warranted against defects of material and/or workmanship for a period of 3 years from date of sale. Aluminum fixture components in direct contact with soil shall be warranted from defects of material and failure from corrosion for a period of 1 year from date of sale.

### Limit of Liability and General Conditions

Only products which are installed, used and maintained in accordance with applicable Kim instructions, specifications and accepted trade practices, are covered by the Kim Warranty. During the warranty period, with proof of purchase, Kim will repair or replace with the same or similar product, at Kim's option, without charge. Labor costs are the owner's responsibility and are excluded from this warranty. This warranty is void if the product is modified, tampered with, misapplied, poorly installed, improperly maintained, or subjected to abnormal conditions.

Repair or replacement as provided under this warranty is the exclusive remedy of the purchaser. This warranty is in lieu of all other warranties, expressed or implied, including any implied warranty of fitness for a particular application. Kim Lighting shall not be liable to the purchaser for indirect or consequential damages.



How may we serve you better?  
Please let us know. Visit our website at:  
[www.kimlighting.com](http://www.kimlighting.com)  
Your input matters to us.