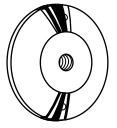




KIM LIGHTING

P.O. Box 60080 • 16555 East Gale Ave.
City of Industry, California 91716-0080
626/968-5666 • FAX 626/330-3861



JW

JW-Wall Canopy Installation Instructions

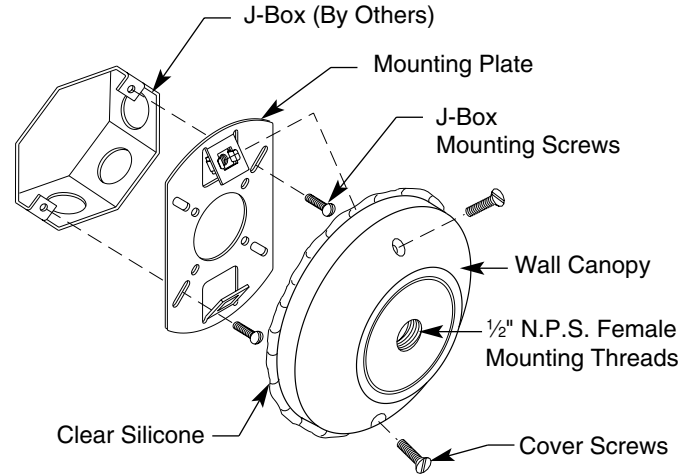
WARNING: Fixtures must be grounded in accordance with local codes or the National Electrical Code. Failure to do so may result in serious personal injury.

NOTE: Keep this sheet for future reference.

Tool Required: Flat Blade Screwdriver

Installation Instructions:

1. Make certain the electrical supply is **OFF** before starting installation.
2. Attach fixture to wall canopy. Set fixture at desired orientation and tighten locking screw on inside of cover.
3. Apply clear silicone to inside of wall canopy to insure water tightness.
4. Attach mounting plate to J-Box with J-Box mounting screws.
5. Attach fixture leads to circuit leads observing polarity, i.e. black-to-voltage, white-to-common and green-to-ground.
6. Attach wall canopy/fixture to mounting plate and secure with two flat head screws provided.



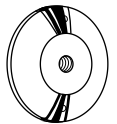
Revised 1/6/99 Status 4 ECN 7744

Part No. 95536



KIM LIGHTING

P.O. Box 60080 • 16555 East Gale Ave.
City of Industry, California 91716-0080
626/968-5666 • FAX 626/330-3861



JW

JW-Wall Canopy Installation Instructions

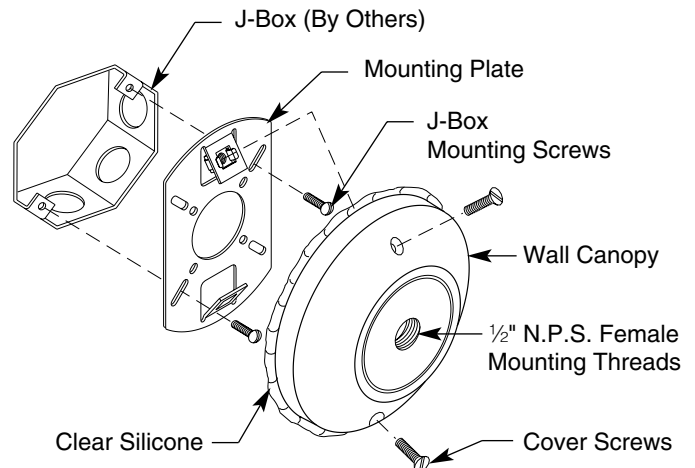
WARNING: Fixtures must be grounded in accordance with local codes or the National Electrical Code. Failure to do so may result in serious personal injury.

NOTE: Keep this sheet for future reference.

Tool Required: Flat Blade Screwdriver

Installation Instructions:

1. Make certain the electrical supply is **OFF** before starting installation.
2. Attach fixture to wall canopy. Set fixture at desired orientation and tighten locking screw on inside of cover.
3. Apply clear silicone to inside of wall canopy to insure water tightness.
4. Attach mounting plate to J-Box with J-Box mounting screws.
5. Attach fixture leads to circuit leads observing polarity, i.e. black-to-voltage, white-to-common and green-to-ground.
6. Attach wall canopy/fixture to mounting plate and secure with two flat head screws provided.



Revised 1/6/99 Status 4 ECN 7744

Part No. 95536