

AFL20 and AFL30 Side Pole Mount, Round & Square Poles

Installation Instructions

WARNING: Fixtures must be grounded in accordance with local codes or the National Electrical Code. Failure to do so may result in serious personal injury.

MAINTENANCE: A regularly scheduled maintenance program must be established to insure paint coating is intact, corrosion or structural damage has not occurred, and all mounting arms, rods, nuts and bolts are tight. Failure to do so could lead to damage or serious personal injury.

KEEP THIS SHEET FOR FUTURE REFERENCE.

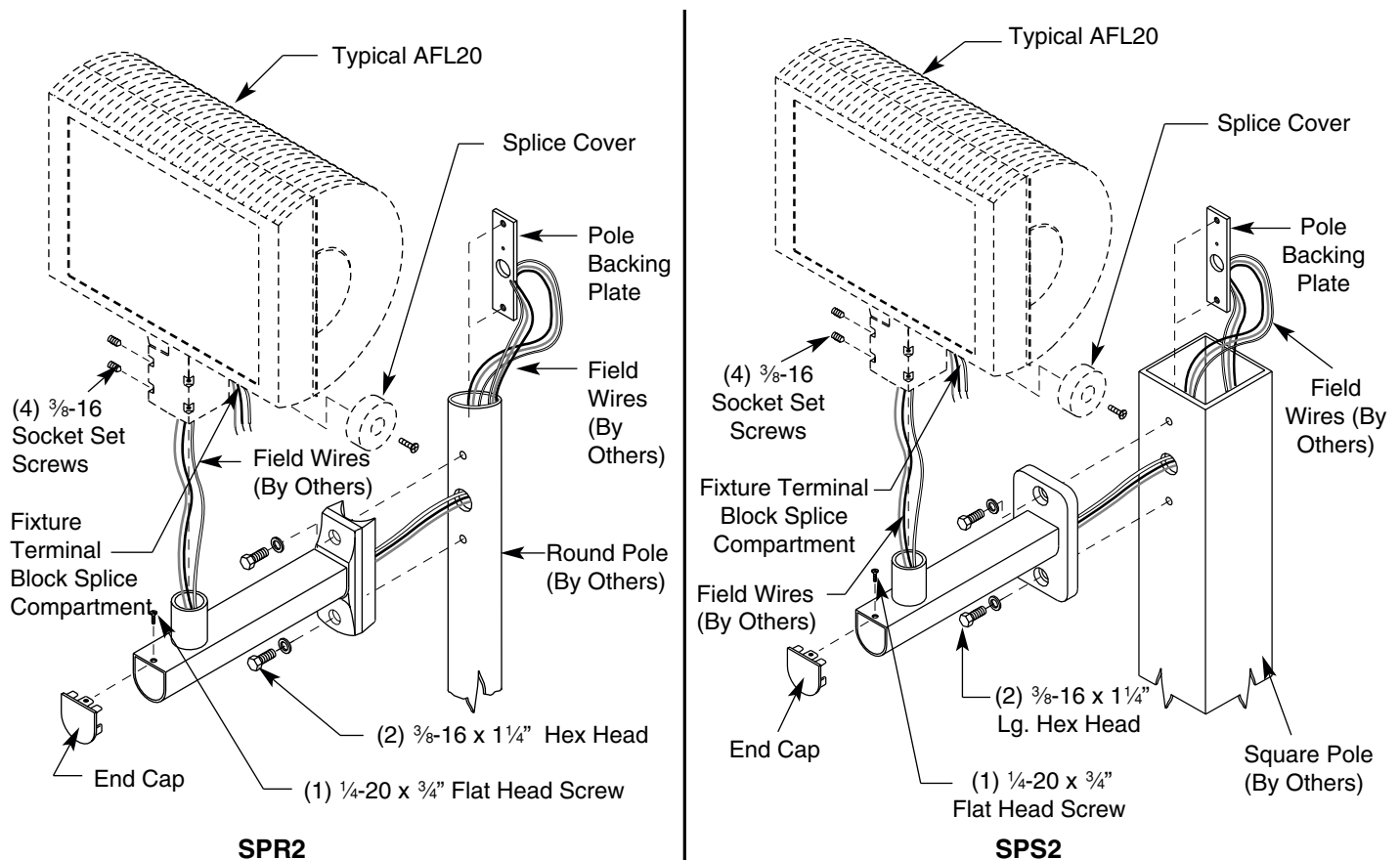
Tools Required:

- Stubby Flat Blade Screwdriver
- $\frac{3}{16}$ " & $\frac{3}{32}$ " Allen Wrench
- Ratchet Torque Wrench with $\frac{9}{16}$ " Socket
- $\frac{7}{16}$ " & $\frac{5}{8}$ " Diameter Drills

SIDE POLE MOUNT FOR AFL20 (SPR2 and SPS2)

! Make certain electrical supply is **OFF**.

1. Position hole template on pole (see detail on back), orient to desired position and drill holes. Deburr wireway hole.
2. Pull field wires through pole and out the top. Tie-wrap wires to pole backing plate. Tie field wires in a knot or back-loop through tie-wrap. Allow wires to extend approximately 25" past wireway opening in pole.
3. Feed field wires through arm mount. Hold pole backing plate inside pole and thread mounting bolts with washers into plate. Square arm mount with pole and tighten bolts 15 to 20 ft.-lbs.
4. Install fixture per fixture installation instructions. Fish wires up tenon into fixture splice compartment. Make all wiring connections observing polarity, i.e. green-to-ground, white-to-common and black-to-voltage. Attach end cap.
5. See fixture installation instructions for swivel adjustments.



Side Pole Mount for AFL30 (SPR3 and SPS3) Installation Instructions

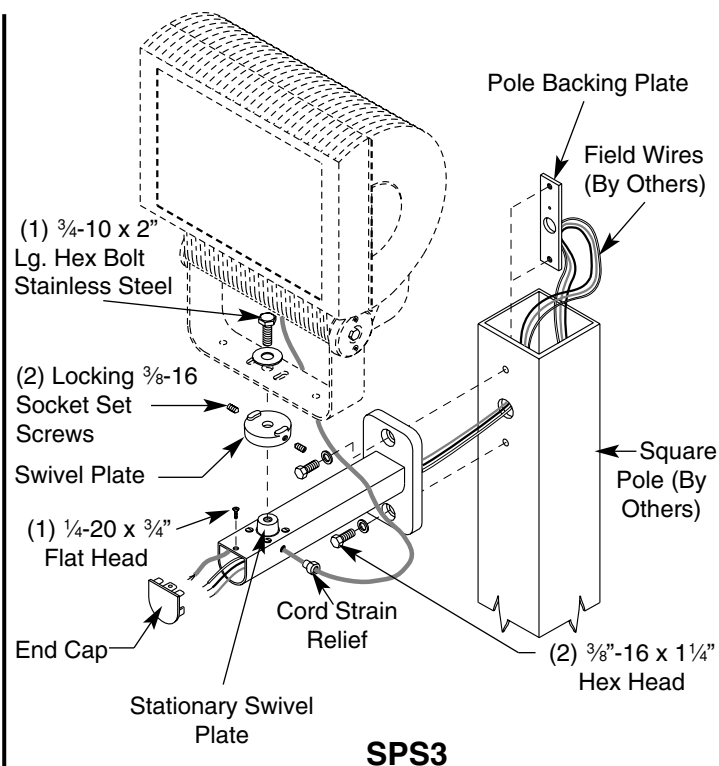
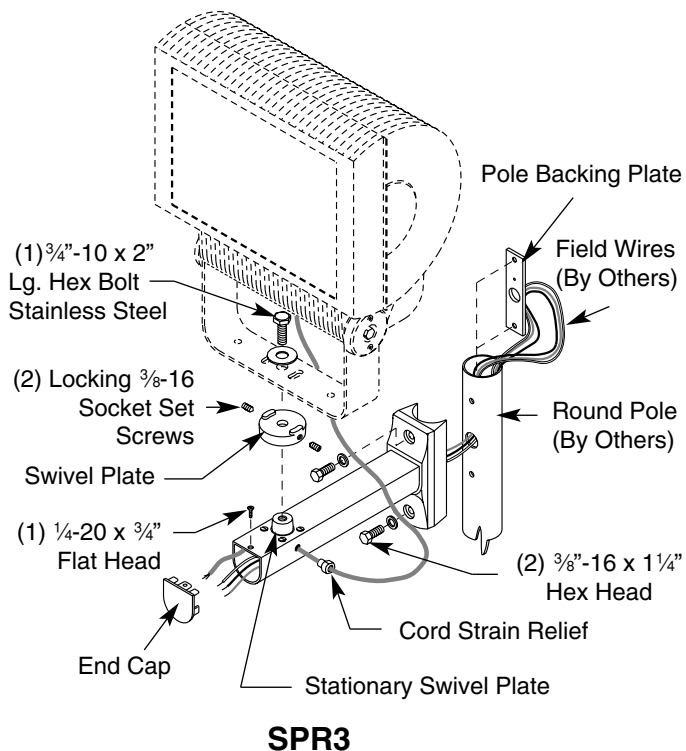
Tools Required:

- Stubby Flat Blade Screwdriver
- Ratchet Torque With $\frac{9}{16}$ " & $\frac{3}{4}$ " Sockets
- $\frac{3}{16}$ " Allen Wrench
- $\frac{7}{16}$ " x $\frac{5}{8}$ " Diameter Drills

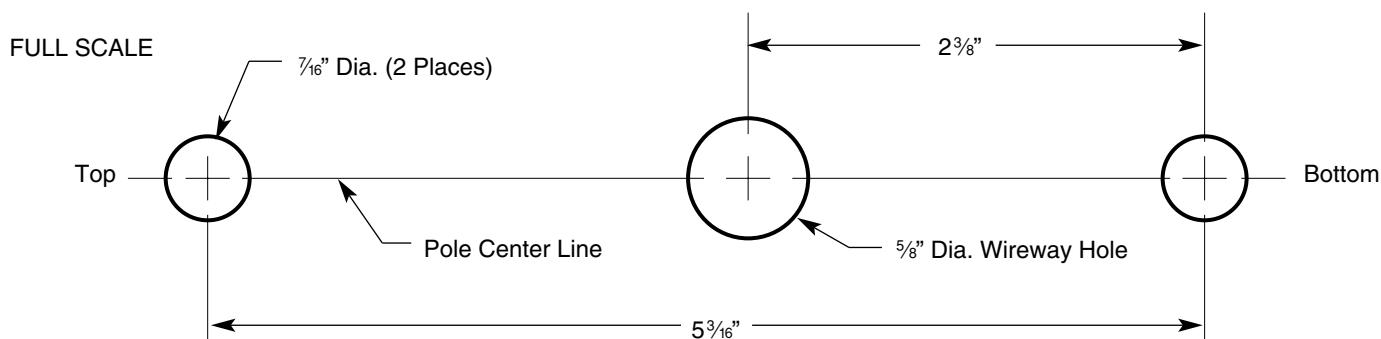
Side Pole Mount or AFL30 (SPR3 and SPS3)

⚠ Make certain electrical supply is **OFF** before starting installation.

1. Position hole template on pole, orient to desired position and drill holes. Deburr wireway hole.
2. Pull field wires through pole and out the top. Tie-wrap wires to pole backing plate. Tie field wires in a knot or back-loop through tie-wrap. Allow wires to extend approximately 25" past wireway.
3. Feed field wires through arm mount. Hold pole backing plate inside pole and thread mounting bolts with washers into plate. Square arm mount with pole and tighten (2) $\frac{3}{8}$ " hex hd. bolts 15 to 20 ft.-lbs.
4. Attach fixture to arm mount with (1) $\frac{3}{4}$ " -10 x 2" hex hd. stainless steel trunion bolt and (1) $\frac{3}{4}$ " flat stainless steel washer. Attach fixture cord to arm mount with cord strain relief (supplied). Fish cord through hole in Arm Mount and out arm mount opening. Allow enough length in cord for a drip loop and fixture adjustments, cut cord approximately 9" past end of arm mount opening. Strip cord and connect leads from fixture cord to field circuit wires observing polarity, i.e., green-to-ground, white-to-common, and black-to-voltage. Feed splices into arm mount and attach end cap.
5. Aim fixture to the desired position. Tighten $\frac{3}{4}$ "-10 hex hd. trunion bolt 20 to 25 ft. lbs. and secure with (2) $\frac{3}{8}$ "-16 socket set screws.
6. See fixture instruction sheet for fixture adjustment.



Hole Template for SPR2, SPS2, SPR3, SPS3



Side Pole Mount for AFL30 (SPR3 and SPS3) Installation Instructions

KIM LIGHTING LIMITED WARRANTY

When installed in accordance with Kim Lighting Instructions and accepted trade practices, the following shall apply:

General Product Limited Warranty Coverage

All material and component parts used in the manufacture of Kim Products, are warranted to be free from defects of material and/or workmanship for a period of 1 year from date of sale, with the following exceptions:

Auxiliary Equipment

All auxiliary equipment (such as lamps, ballasts, and transformers) provided by and/or included in Kim Products shall carry the component manufacturer's warranty.

Copper and Bronze Landscape Components

Copper and Bronze Landscape fixture components shall be warranted against defects of material and/or workmanship, and failure due to corrosion, for a period of 25 years from date of sale.

Composite In-Grade Components

Composite In-Grade fixture components installed below grade, shall be warranted against defects of material and/or workmanship, and failure due to corrosion, for a period of 7 years from date of sale.

Aluminum Landscape Components

Aluminum Landscape fixture components not in direct contact with soil, shall be warranted against defects of material and/or workmanship for a period of 3 years from date of sale. Aluminum fixture components in direct contact with soil shall be warranted from defects of material and failure from corrosion for a period of 1 year from date of sale.

Limit of Liability and General Conditions

Only products which are installed, used and maintained in accordance with applicable Kim instructions, specifications and accepted trade practices, are covered by the Kim Warranty. During the warranty period, with proof of purchase, Kim will repair or replace with the same or similar product, at Kim's option, without charge. Labor costs are the owner's responsibility and are excluded from this warranty. This warranty is void if the product is modified, tampered with, misapplied, poorly installed, improperly maintained, or subjected to abnormal conditions.

Repair or replacement as provided under this warranty is the exclusive remedy of the purchaser. This warranty is in lieu of all other warranties, expressed or implied, including any implied warranty of fitness for a particular application. Kim Lighting shall not be liable to the purchaser for indirect or consequential damages.



How may we serve you better?
Please let us know. Visit our website at:
www.kimlighting.com
Your concerns are important to us.