

TR60

TR - TRIM RING Installation Instructions

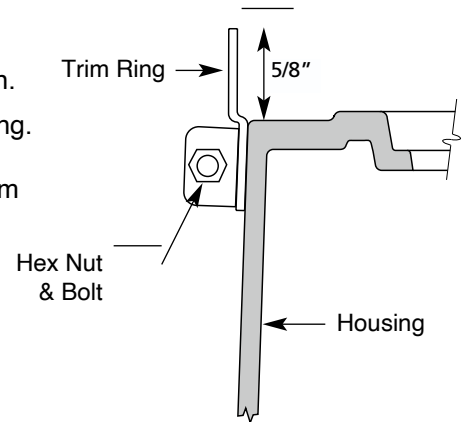
WARNING: Fixtures must be grounded in accordance with local codes or the National Electrical Code. Failure to do so may result in serious personal injury. **KEEP THIS SHEET FOR FUTURE REFERENCE.**

Tools Required: 5/8" Wrench Ruler

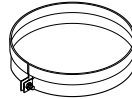
Installation Instructions:

! Make certain the electrical supply is **OFF** before starting fixture installation.

1. Locate trim ring over top of housing with a 5/8" clearance above the housing. Top of trim ring should be 5/8" above housing.
2. Tighten nut and bolt securely. Place a piece of tape across opening on trim ring to keep concrete from spilling on housing.



How may we serve you better?
Please let us know. Visit our website at:
www.kimlighting.com
Your concerns are important to us.



TR60

TR - TRIM RING Installation Instructions

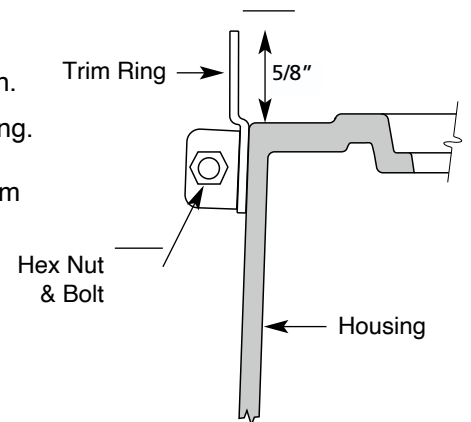
WARNING: Fixtures must be grounded in accordance with local codes or the National Electrical Code. Failure to do so may result in serious personal injury. **KEEP THIS SHEET FOR FUTURE REFERENCE.**

Tools Required: 5/8" Wrench Ruler

Installation Instructions:

! Make certain the electrical supply is **OFF** before starting fixture installation.

1. Locate trim ring over top of housing with a 5/8" clearance above the housing. Top of trim ring should be 5/8" above housing.
2. Tighten nut and bolt securely. Place a piece of tape across opening on trim ring to keep concrete from spilling on housing.



How may we serve you better?
Please let us know. Visit our website at:
www.kimlighting.com
Your concerns are important to us.