



Step Light - EL810 Series Installation Instructions

WARNING: Fixtures must be grounded in accordance with local codes or the National Electrical Code. Failure to do so may result in serious personal injury.

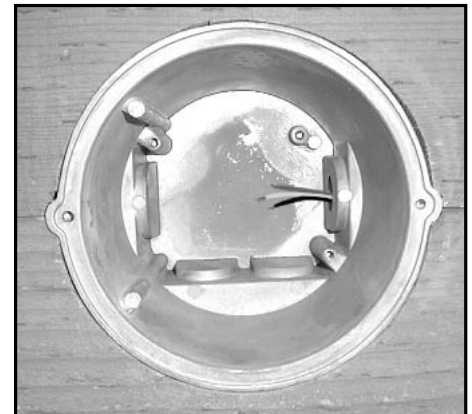
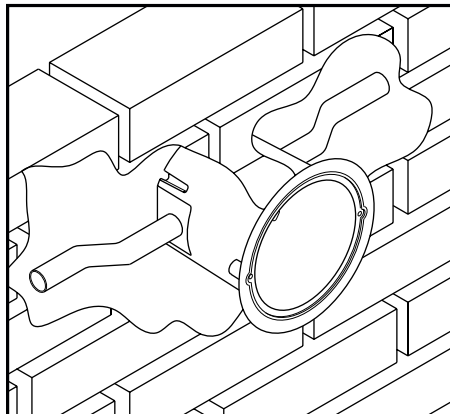
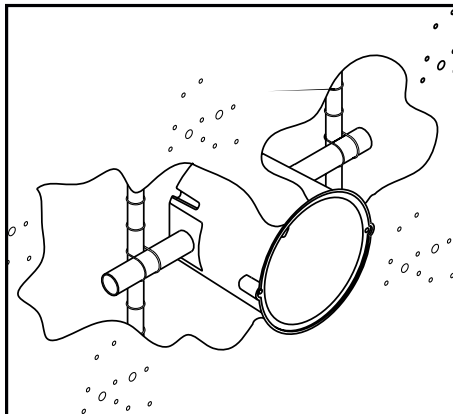
CAUTION! Use only the lamp type and wattage shown on the fixture label on the electrical assembly. The fixture label must indicate the same electrical data as the ballast label.

MAINTENANCE: For optimum performance a regularly scheduled maintenance program should be followed. Fixtures must be kept clean and free of dirt, dust, leaves and trash. **DO NOT** operate luminaire with missing or damaged lens.

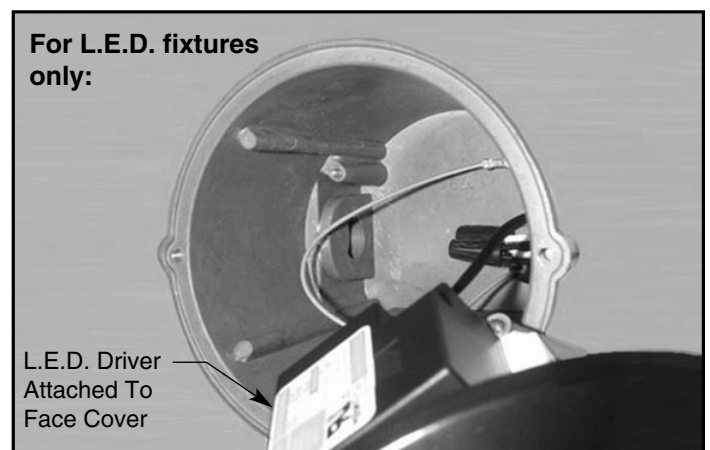
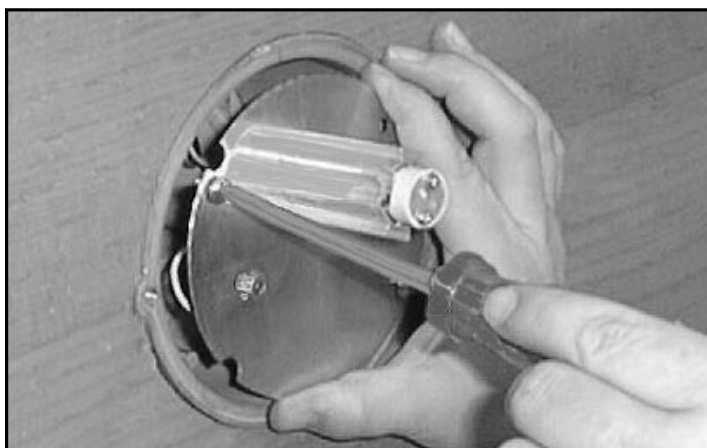
KEEP THIS SHEET FOR FUTURE REFERENCE.

Tools Required: Phillips Head Screwdriver 5/32" Allen Wrench

! Make certain electrical supply is **OFF** before starting fixture installation.



1. a.) **For concrete pour:** Attach housing with conduit mounted to concrete forms, face flange must be flush with concrete surface.
- b.) **For brick installation:** Install housing and conduit into brick, face flange must be flush with brick surface.

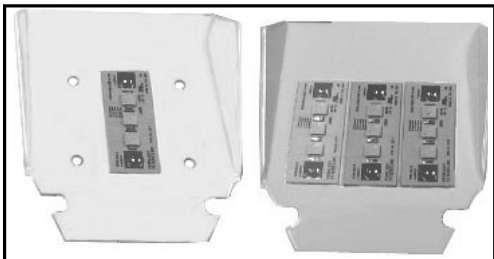


2. Attach fixture wires to field wire using U.L. approved wire nuts ensuring correct polarity, i.e., green-to-ground (EL fixtures), white-to-common, and black-to-voltage. Install ballast/socket plate & tighten screws securely. Install lamp of type and wattage as shown on fixture label and chart on page 2 (not needed for L.E.D. fixtures).
3. **For L.E.D. installation only:** Attach fixture wires to field wires using wire nuts (supplied) ensuring correct polarity, i.e.; green-to-ground, white-to-common and black-to-voltage.

Step Lights - EL810 Series Installation Instructions



4. Finish installation by installing cover / gasket assembly and securing with screws.



5 Watt

15 Watt

***L.E.D. Identifier** - Both are available 120 volt or 277 volt input. Reference label on side of driver component or lamp label to determine.

WARNING!

The H.I.D. / Fluorescent fixture utilizes a lamp that may contain mercury. For information on disposal of lamp, go to website: www.lamprecycle.org

KIM LIGHTING LIMITED WARRANTY

When installed in accordance with Kim Installation Instructions and accepted trade practices, the following shall apply:

General Product Limited Warranty Coverage

All material and component parts used in the manufacture of Kim Products, are warranted to be free from defects of material and/or workmanship for a period of 1 year from date of sale, with the following exceptions:

Auxiliary Equipment

All auxiliary equipment (such as lamps, ballasts, and transformers) provided by and/or included in Kim Products shall carry the component manufacturer's warranty.

Copper and Bronze Landscape Components

Copper and Bronze Landscape fixture components shall be warranted against defects of material and/or workmanship, and failure due to corrosion, for a period of 25 years from date of sale.

Composite In-Grade Components

Composite In-Grade fixture components installed below grade, shall be warranted against defects of material and/or workmanship, and failure due to corrosion, for a period of 7 years from date of sale.

Aluminum Landscape Components

Aluminum Landscape fixture components not in direct contact with soil, shall be warranted against defects of material and/or workmanship for a period of 3 years from date of sale. Aluminum fixture components in direct contact with soil shall be warranted from defects of material and failure from corrosion for a period of 1 year from date of sale.

Limit of Liability and General Conditions

Only products which are installed, used and maintained in accordance with applicable Kim instructions, specifications and accepted trade practices, are covered by the Kim Warranty. During the warranty period, with proof of purchase, Kim will repair or replace with the same or similar product, at Kim's option, without charge. Labor costs are the owner's responsibility and are excluded from this warranty. This warranty is void if the product is modified, tampered with, misapplied, poorly installed, improperly maintained, or subjected to abnormal conditions.

Repair or replacement as provided under this warranty is the exclusive remedy of the purchaser. This warranty is in lieu of all other warranties, expressed or implied, including any implied warranty of fitness for a particular application. Kim Lighting shall not be liable to the purchaser for indirect or consequential damages.



LAMP INFORMATION		
Cat. No.	Lamp Type	Max. Watts
EL810 KLV810	T-3 or T-4 Bipin (By Others)	50
EL815 EL816	Quad Tube Fluorescent (By Others)	13
EL817 KLV817	L.E.D.* (By KIM) L.E.D.	15 5

How may we serve you better?
Please let us know. Visit our website at:
www.kimlighting.com
Your input matters to us.