

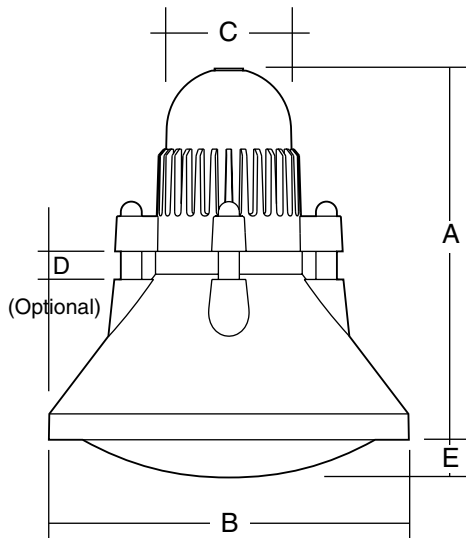


The following is the information required for the pole vendor to figure the pole strength and size of pole.

Note: KIM Lighting assumes no responsibility for pole strength or size of poles by others.

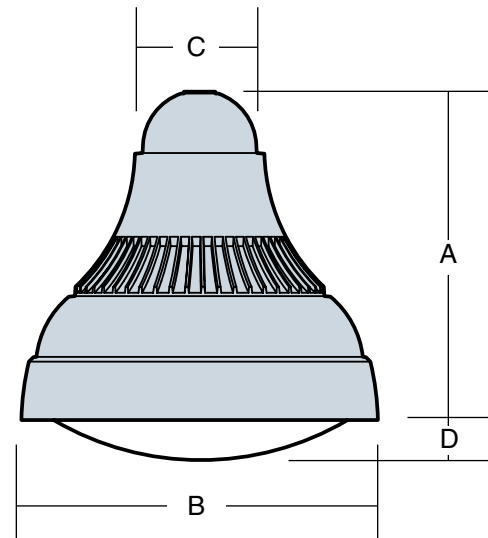
See reverse side for anchor bolt fixture orientation, drilling instructions and steps to follow to receive the proper support arm for mounting fixtures.

RA17 / RA25 - The ERA



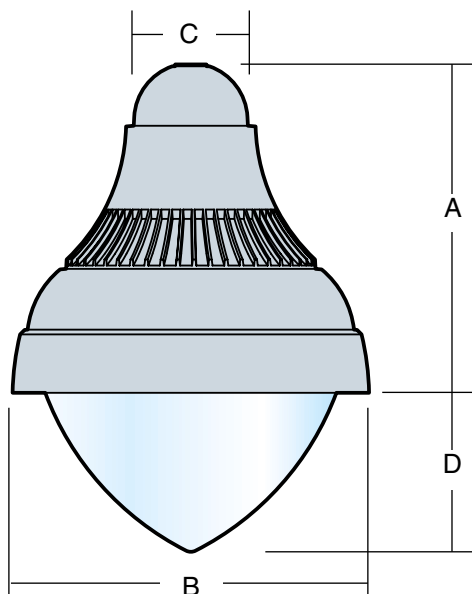
Cat No.	A	B	C	D	E
RA17	17½"	17"	6"	1"	1¾"
RA25	23½"	25"	8"	1½"	2½"

BE17 / BE21 - ERA BELL



Cat. No.	A	B	C	D
BE17	15⅜"	17¼"	5⅜"	1¾"
BE21	19⅝"	21"	6¾"	2⅜"

AE17 / AE21- ERA ACORN



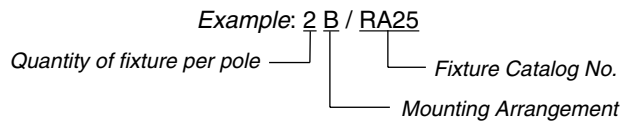
Cat. No.	A	B	C	D
AE17	15⅜"	17¼"	5⅜"	7½"
AE21	19⅝"	21"	6¾"	9⅜"



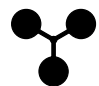
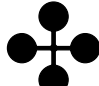
Pole Drilling Instructions For Mounting Fixtures on Poles By Others

ERA® / Heritage Series

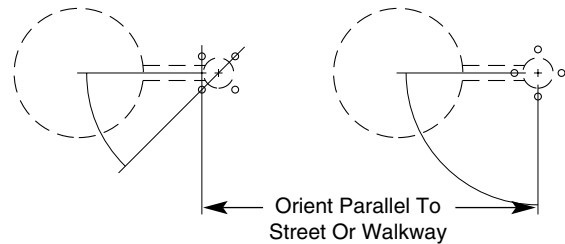
Fixture mounting arrangements: The desired mounting arrangement will determine the required position of drilling on pole by others. KIM catalog determines mounting arrangement.

Note: For proper drilling of poles be sure to note fixture orientation to anchor bolts. Select one of the orientations suited to your pole and keep consistent for all poles the same. Drawings below show proper orientation for fixture mounting arrangement "A". Arrangements "B", "Y", and "C" are typical.



- A**  Drilling shown for fixture mounting "A"
- B**  For fixture mounting "B"
Drilling shown typical, 2 places at 180° ± 1°
- Y**  For fixture mounting "Y"
Drilling shown typical, 3 places at 120° ± 1°
- C**  For fixture mounting "C"
Drilling shown typical, 4 places at 90° ± 1°

Anchor Bolt Fixture Orientation



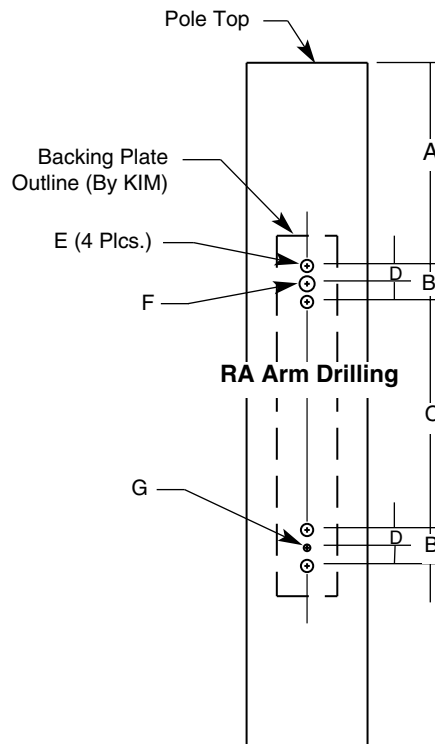
DETAIL A
ORIENTATION FOR
POLES WITH ANCHOR
BOLTS IN CORNERS OF
BASE PLATE

DETAIL B
ORIENTATION FOR
POLES WITH ANCHOR
BOLTS ON CENTER
LINE.

For other heritage mounting arrangements such as:
CCS, CSL, SAS, SAL please consult factory.

KIM Lighting shall supply fixture, support arm and fixture mounting hardware. All others shall be supplied by pole vendors.

Pole Drilling Instructions, CAS and CAL Mounts



Catalog Number	A	B	C	D	EØ	FØ	GØ
CAS for RA17, AE17, BE17	6.72"	1.19"	7.54"	0.59"	0.40"	0.50"	0.22"
CAL for RA25, AE21, BE21	8.72"	2.10"	9.65"	1.05"	0.53"	1.00"	0.22"

Pole Drilling Instructions For Mounting Fixtures on Poles By Others

ERA® / Heritage Series

Below is the information you must furnish KIM Lighting so we may supply the proper support arm for mounting KIM fixtures to poles by others.

Pole Description and Size:

Item Number	Type	Bottom (Spec. O.D. or SQ.)	Top (Spec. O.D. or SQ.)	Height	Wall Thickness	No. of Fixtures Per Pole	Quantity of Poles
1.		X	X	X			
2.		X	X	X			

Example:

1. EE 4"O.D. X 4" X 30' X .250 2 15

Fill in the information below and return to KIM Lighting, Inc.

Job Name: _____

Pole Vendor: _____

KIM Invoice No.: _____

Date: _____

Send copy to: KIM Lighting, Inc.
 16555 E. Gale Ave.
 P.O. Box 60080
 City of Industry, CA 91716-0080
 Phone: 626/968-5666
 FAX 626/330-3861

KIM LIGHTING LIMITED WARRANTY

When installed in accordance with Kim Installation Instructions and accepted trade practices, the following shall apply:

General Product Limited Warranty Coverage

All material and component parts used in the manufacture of Kim Products, are warranted to be free from defects of material and/or workmanship for a period of 1 year from date of sale, with the following exceptions:

Auxiliary Equipment

All auxiliary equipment (such as lamps, ballasts, and transformers) provided by and/or included in Kim Products shall carry the component manufacturer's warranty.

Copper and Bronze Landscape Components

Copper and Bronze Landscape fixture components shall be warranted against defects of material and/or workmanship, and failure due to corrosion, for a period of 25 years from date of sale.

Composite In-Grade Components

Composite In-Grade fixture components installed below grade, shall be warranted against defects of material and/or workmanship, and failure due to corrosion, for a period of 7 years from date of sale.

Aluminum Landscape Components

Aluminum Landscape fixture components not in direct contact with soil, shall be warranted against defects of material and/or workmanship for a period of 3 years from date of sale. Aluminum fixture components in direct contact with soil shall be warranted from defects of material and failure from corrosion for a period of 1 year from date of sale.

Limit of Liability and General Conditions

Only products which are installed, used and maintained in accordance with applicable Kim instructions, specifications and accepted trade practices, are covered by the Kim Warranty. During the warranty period, with proof of purchase, Kim will repair or replace with the same or similar product, at Kim's option, without charge. Labor costs are the owner's responsibility and are excluded from this warranty. This warranty is void if the product is modified, tampered with, misapplied, poorly installed, improperly maintained, or subjected to abnormal conditions.

Repair or replacement as provided under this warranty is the exclusive remedy of the purchaser. This warranty is in lieu of all other warranties, expressed or implied, including any implied warranty of fitness for a particular application. Kim Lighting shall not be liable to the purchaser for indirect or consequential damages.



How may we serve you better?
 Please let us know. Visit our website at:
www.kimlighting.com
 You input matters to us.