



⚠ WARNING: Fixtures must be grounded in accordance with local codes or the National Electrical Code. Failure to do so may result in serious personal injury.

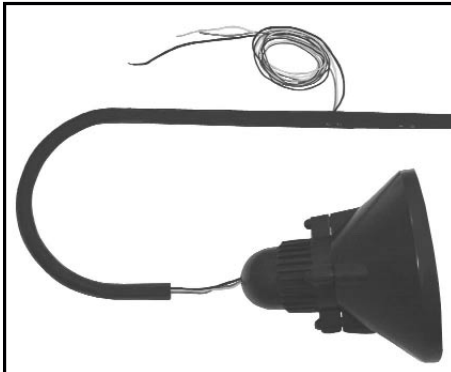
MAINTENANCE: A regularly scheduled maintenance program must be established to insure paint coating is intact, corrosion or structural damage has not occurred, and all mounting arms, rods, nuts and bolts are tight. Failure to do so could lead to damage or serious personal injury. Dusting with a soft, clean, dry cloth is normally sufficient for the reflector. Do not use alkaline or acid cleaners on reflector surfaces.

NOTE: All electrical work must be done by a qualified electrician. KEEP THIS SHEET FOR FUTURE REFERENCE.

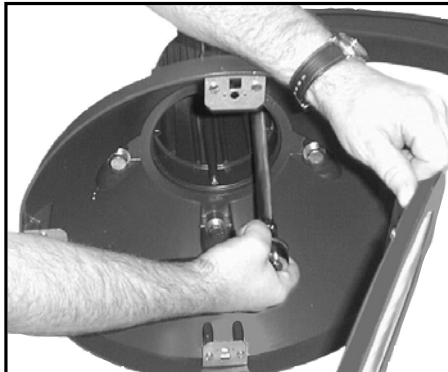
Attention: If your fixture is equipped with a multi-tap ballast and if no voltage was specified on the purchase order, the ballast has been wired for operation on a 277 volt circuit (347V in Canada). If other than 277 volts is required, i.e., 120V, 208V, 240V, connect incoming voltage lead to required voltage on terminal block.

Tools Required: Flat Head Screwdriver Torque Wrench 3/16" Hex Wrench 3/32" Hex Wrench
 5/16" 6- or 12- Point Deep (2" Min.) Socket 12" (min.) Long Socket Extension 5/32" Hex Wrench
 Sealant

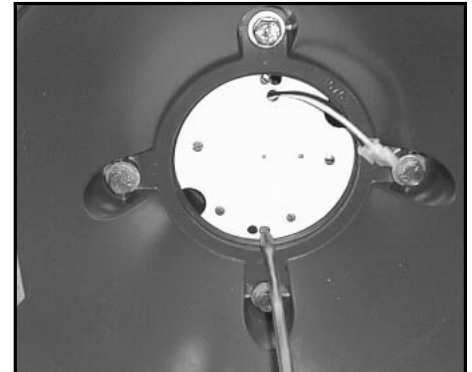
⚠ Make certain electrical supply is OFF before starting fixture installation.



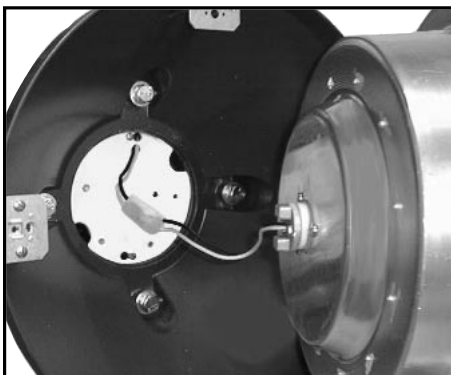
1. Using pull wire provided, pull wire thru crook arm and wiring hole in crook arm. **IMPORTANT! Keep wires tight when attaching fixture to crook to avoid pinching wires.**



2. Install fixture head to crook arm with bolts. Tighten to 20 ft.-lbs.



3. Join wiring quick-disconnect and install ballast tray onto screws; tighten securely.



4. Hang reflector in housing in desired orientation, join wiring quick-disconnect and orient 1/4" turn fastener by moving to the position opposite reflector hinge.

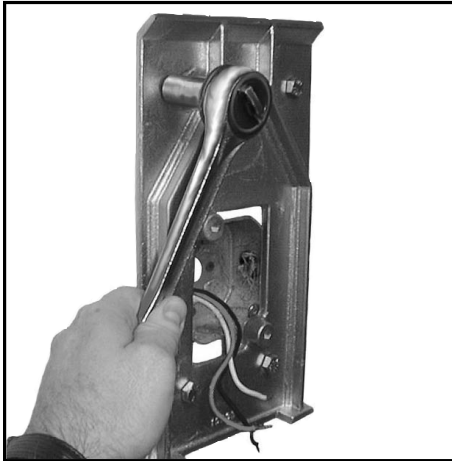


5. Secure reflector with 1/4" turn fastener, install lamp of type and wattage shown on fixture label. Close and secure fixture door.

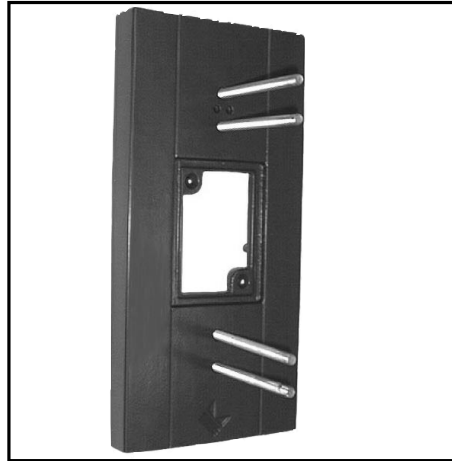


6. Apply a continuous bead of sealant compound into the wall plate groove. Allow mastic to extend well above the wall plate surface to ensure a proper seal.

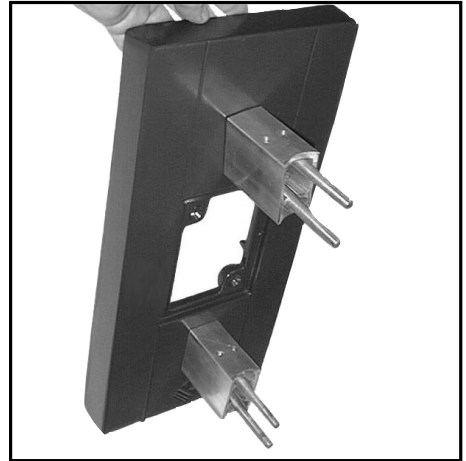
ERA® Wall Mount HA Series - HA02 Installation Instructions



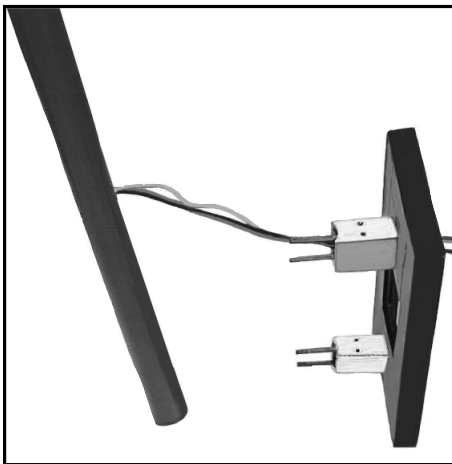
7. Mount wall plate securely to wall. ($\frac{3}{8}$ " wall mount anchors and mounting bolts by others.)



8. Insert arm bolts into wall mount.



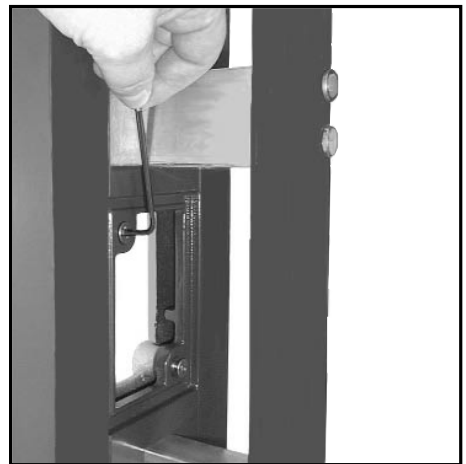
9. Install arm spacers onto bolts with flat side to wall plate and screw holes to top.



10. Pull wire thru wiring hole in wall mount.



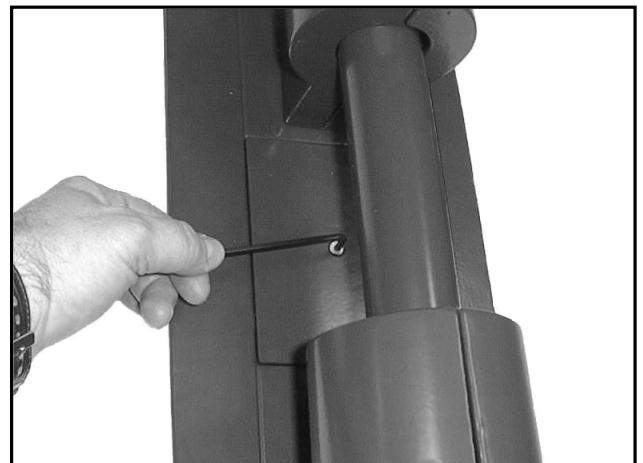
11. Install crook arm onto bolts and secure with washers and nuts. Tighten to 20 ft.-lbs.



12. Hang wall mount fixture assembly on wall cover and secure with screws to wall plate. ($\frac{3}{16}$ " Hex Wrench)



13. Install crook arm support covers and secure with center screws. ($\frac{5}{32}$ " Ball end "L" hex wrench recommended.)



14. Connect fixture wires to supply wires observing polarity, i.e.; green-to-ground, white-to-common, black-to-voltage. Install splice cover and secure with center screw. ($\frac{3}{32}$ " Hex Wrench)

ERA® Wall Mount HA Series - HA02 Installation Instructions

KIM LIGHTING LIMITED WARRANTY

When installed in accordance with Kim Installation and accepted trade practices, the following shall apply:

General Product Limited Warranty Coverage

All material and component parts used in the manufacture of Kim Products, are warranted to be free from defects of material and/or workmanship for a period of 1 year from date of sale, with the following exceptions:

Auxiliary Equipment

All auxiliary equipment (such as lamps, ballasts, and transformers) provided by and/or included in Kim Products shall carry the component manufacturer's warranty.

Copper and Bronze Landscape Components

Copper and Bronze Landscape fixture components shall be warranted against defects of material and/or workmanship, and failure due to corrosion, for a period of 25 years from date of sale.

Composite In-Grade Components

Composite In-Grade fixture components installed below grade, shall be warranted against defects of material and/or workmanship, and failure due to corrosion, for a period of 7 years from date of sale.

Aluminum Landscape Components

Aluminum Landscape fixture components not in direct contact with soil, shall be warranted against defects of material and/or workmanship for a period of 3 years from date of sale. Aluminum fixture components in direct contact with soil shall be warranted from defects of material and failure from corrosion for a period of 1 year from date of sale.

Limit of Liability and General Conditions

Only products which are installed, used and maintained in accordance with applicable Kim instructions, specifications and accepted trade practices, Kim will repair or replace with the same or similar product, at Kim's option, without charge. Labor costs are the owner's responsibility and are excluded from this warranty. This warranty is void if the product is modified, tampered with, misapplied, poorly installed, improperly maintained, or subjected to abnormal conditions.

Repair or replacement as provided under this warranty is the exclusive remedy of the purchaser. This warranty is in lieu of all other warranties, expressed or implied, including any implied warranty of fitness for a particular application. Kim Lighting shall not be liable to the purchaser for indirect or consequential damages.



How may we serve you better?
Please let us know. Visit our website at:
www.kimlighting.com
Your concerns are important to us.