



## Accent Light - KLV201 Installation Instructions

### INSTRUCTIONS PERTAINING TO A RISK OF FIRE OR INJURY TO PERSONS

#### IMPORTANT SAFETY INSTRUCTIONS!

**⚠ WARNING - To reduce the risk of FIRE OR INJURY TO PERSONS: Do Not overdrive fixtures with greater than 12 volts or fixture over-heating and short lamp life will occur. Do Not overload the transformer by installing (or relamping) higher wattage lamps than planned. Note: Total wattage of all lamps connected to one transformer must not exceed the capacity of that transformer. Do Not install luminaire within 10 feet (3.04m) of a pool, spa, or fountain. DO NOT operate luminaire with missing or damaged lens.**

**⚠ SAFETY WARNING: When relamping be sure electrical supply is OFF. Low voltage fixtures can become very hot depending on the lamp wattage used. Glass lenses and metal areas above & around the lamp can become hot enough to blister hands. Use discretion when touching fixture and be sure to allow fixture to cool before relamping. When relamping fixture avoid touching the lamp envelope with bare hands. If touching the lamp is necessary during installation, clean the envelope with alcohol and dry with a clean, soft cloth before turning ON. Contamination of the envelope may reduce the lamp performance. To maintain light efficiency and prevent fixture-overheating, glass lenses and enclosure must be kept clean and free of dirt, dust, leaves, trash (combustible materials) and mineral deposits from water. Particular care should be taken not to locate fixtures where small children can reach them if higher wattage's are used.**

**NOTE: Keep the lamp free from impact while burning, as this may deform the filament and shorten the lamp life. NOT INTENDED FOR INDOOR USE. All electrical work should be done by a qualified electrician.**

**KEEP THIS SHEET FOR FUTURE REFERENCE.**

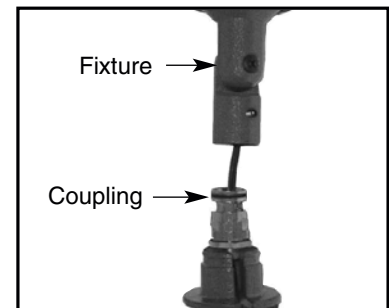
**INSTALLATION INSTRUCTIONS:** **⚠** Make certain the electrical supply is **OFF** before starting fixture installation.

#### Tools Required:

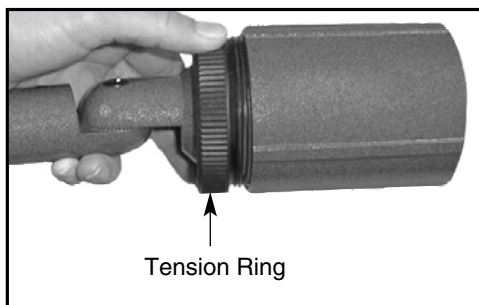
- Phillips Screwdriver
- Adjustable Wrench
- 1/8" Hex Wrench
- Silicone Grease



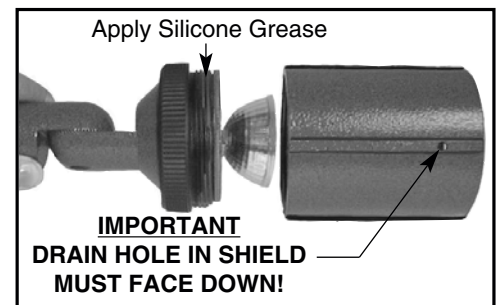
- 1.** Tighten coupling onto mounting device.  
(See KIM Installation Instructions for Low Voltage Mounting Options, part no. 95488.)



- 2.** Attach fixture onto coupling. **NOTE:** KIM "KLV Mounting Options" can be installed before fixture is attached.

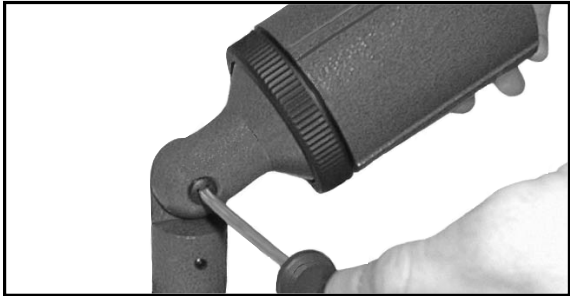


- 3.** To install lamp, unscrew tension ring. **NOTE:** Lamp installation is not accessible by removing the glass lens.



- 4.** Install lamp of type and wattage shown on fixture label. **NOTE: Add silicone grease to screw threads each time fixture is relamped.**

# KLV201 Installation Instructions

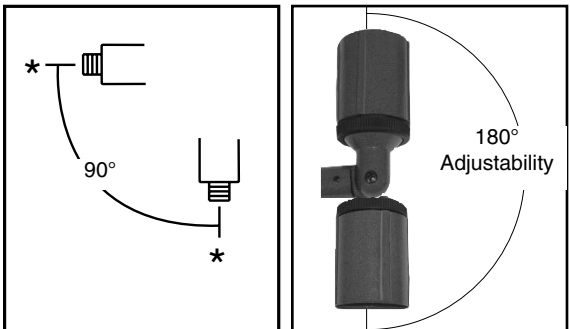


5. Adjust angle using swivel screw. Retighten after adjustments.



6. Loosen setscrew, adjust fixture rotation, and tighten setscrew. Connect fixture to main system cable with a KLV410 Sealed Connector. (See KLV410 Installation Instructions)

## FIXTURE ORIENTATION (See \*Note Below)



**\*Note:** Swivel stem must be installed with the mounting threads facing down-to-horizontal. Fixtures may not be installed with mounting threads facing upward unless shielded from rain or sprinklers.

LAMP INFORMATION		
CAT. NO.	LAMP TYPE	MAX. WATTS
KLV201	MR16 Bi pin Halogen	75

Additional wire and connectors may be purchased from Kim Lighting: KLV427 #12-2 Cable  
KLV432 #8-2 Cable  
KLV410 Connector  
KLV411 Connector

## KIM LIGHTING LIMITED WARRANTY

When installed in accordance with Kim Installation Instructions and accepted trade practices, the following shall apply:

### General Product Limited Warranty Coverage

All material and component parts used in the manufacture of Kim Products, are warranted to be free from defects of material and/or workmanship for a period of 1 year from date of sale, with the following exceptions:

### Auxiliary Equipment

All auxiliary equipment (such as lamps, ballasts, and transformers) provided by and/or included in Kim Products shall carry the component manufacturer's warranty.

### Copper and Bronze Landscape Components

Copper and Bronze Landscape fixture components shall be warranted against defects of material and/or workmanship, and failure due to corrosion, for a period of 25 years from date of sale.

### Composite In-Grade Components

Composite In-Grade fixture components installed below grade, shall be warranted against defects of material and/or workmanship, and failure due to corrosion, for a period of 7 years from date of sale.

### Aluminum Landscape Components

Aluminum Landscape fixture components not in direct contact with soil, shall be warranted against defects of material and/or workmanship for a period of 3 years from date of sale. Aluminum fixture components in direct contact with soil shall be warranted from defects of material and failure due to corrosion for a period of 1 year from date of sale.

### Limit of Liability and General Conditions

Only products which are installed, used and maintained in accordance with applicable Kim instructions, specifications and accepted trade practices, are covered by the Kim Warranty. During the warranty period, with proof of purchase, Kim will repair or replace with the same or similar product, at Kim's option, without charge. Labor costs are the owner's responsibility and are excluded from this warranty. This warranty is void if the product is modified, tampered with, misapplied, poorly installed, improperly maintained, or subjected to abnormal conditions.

Repair or replacement as provided under this warranty is the exclusive remedy of the purchaser. This warranty is in lieu of all other warranties, expressed or implied, including any implied warranty of fitness for a particular application. Kim Lighting shall not be liable to the purchaser for indirect or consequential damages.



How may we serve you better?  
Please let us know. Visit our website at:  
[www.kimlighting.com](http://www.kimlighting.com)  
Your concerns are important to us.