

ERA[®] Post Top Crook Tenon Mount - HA01L / HA01S

Installation Instructions



WARNING: Fixtures must be grounded in accordance with local codes or the National Electrical Code. Failure to do so may result in serious personal injury.

MAINTENANCE: A regularly scheduled maintenance program must be established to insure paint coating is intact, corrosion or structural damage has not occurred, and all mounting arms, rods, nuts and bolts are tight.

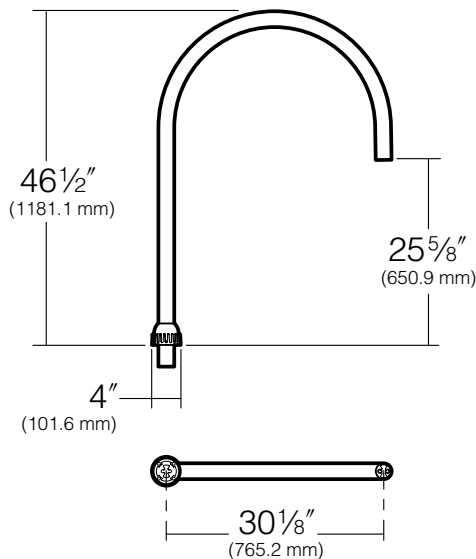
NOTE: All electrical work must be done by a qualified electrician.

KEEP THIS SHEET FOR FUTURE REFERENCE.

Tenon Requirements For:	Fixture	Tenon / Size
	RA25, AE21, BE21, LE26	Steel / 2½" (2⅞" O.D.) x 4" Min.

HA01 - Large

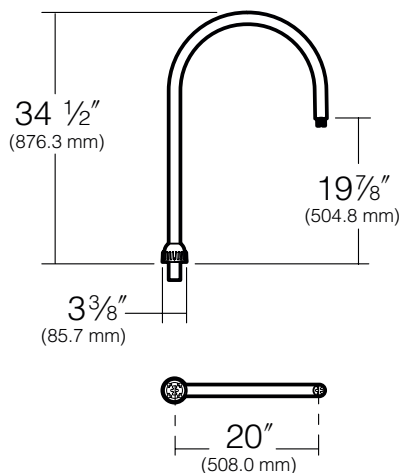
RA25 - 80 lbs.
AE21 - 46 lbs.
BE21 - 46 lbs.
LE26 - 92 lbs.



Tenon Requirements:	Fixture	Tenon / Size
	RA17, AE17, BE17, LE19	Steel / 2" (2⅜" O.D.) x 4" Min.

HA01 - Small

RA17 - 49 lbs.
AE17 - 26 lbs.
BE17 - 26 lbs.
LE19 - 45 lbs.



ERA® Post Top Crook Tenon Mount - HA01L / HA01S Installation Instructions

Tools Required: Flat Head Screwdriver Torque Wrench 1/8" Hex Wrench 3/8" Drill
 3/16" Drill Bit 5/16" Hex Wrench 3/16" Hex Wrench

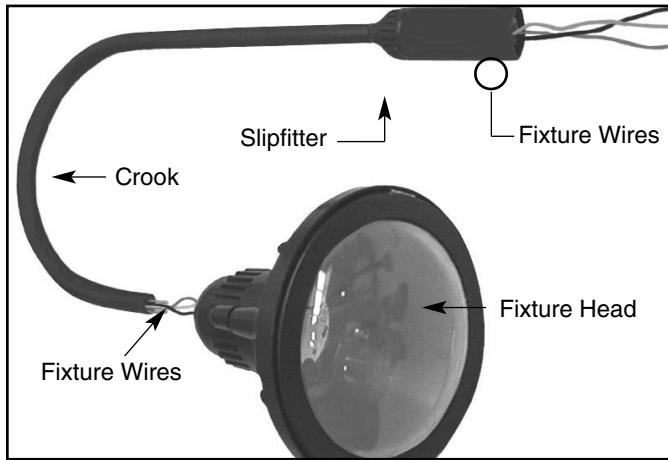
For RA25 Fixture: 3/4" 6- or 12- Point Deep (2" min.) Socket
 1/2" 6- or 12- Point Deep (2" min.) Socket

For LE26 Fixture: 3/16" Hex Driver
 1/2" 6- or 12- Point Deep (2" min.) Socket
 12" (min.) Long Socket Extension

For RA17 Fixture: 9/16" 6- or 12- Point Deep (2" min.) Socket
 12" (min.) Long Socket Extension

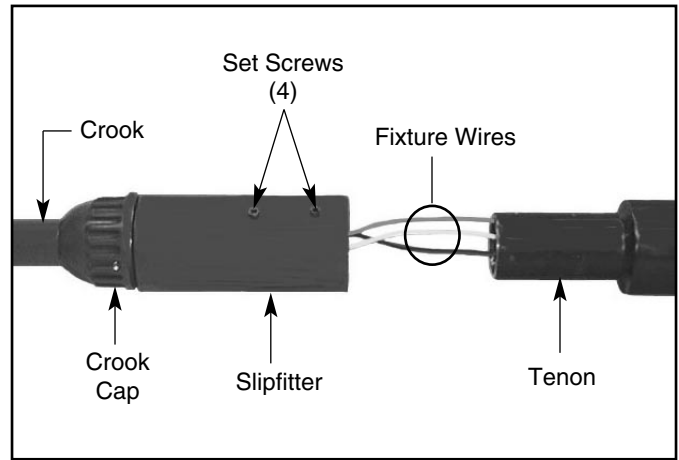
For LE19 Fixture: 5/16" Hex Driver
 1/2" 6- or 12- Point Deep (2" min.) Driver
 12" (min.) Long Socket Extension

Installation Instructions:  Make certain electrical supply is **OFF** before starting tenon installation.

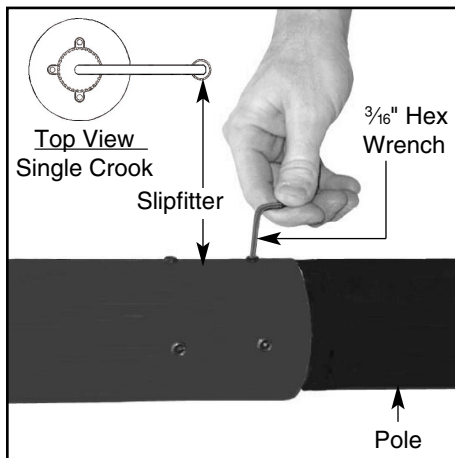


1. Install fixture to crook. Using pull wire provided, pull wire through crook arm and out wiring hole.

IMPORTANT: Keep wires tight when attaching fixture to crook arm to avoid pinching wires.

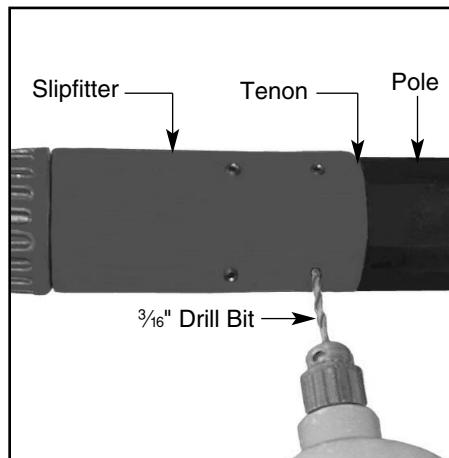


2. Push fish tape from hand hole through to tenon top. Attach all (3) wires from Single Crook assembly and pull through to handhole. Carefully slide the slipfitter over the tenon making sure the wires are not pinched.

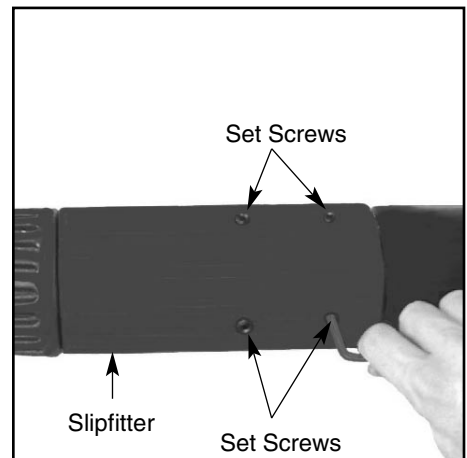


3. Using 3/16" hex wrench, secure slipfitter to tenon with set screws.

IMPORTANT! Orient slipfitter mounting holes in direction of Post Top Crook assembly.
 (See "Top View" #3)



4. Remove and drill recess for each of the bottom set screws using a 3/16" drill bit.



5. Replace each set screw and tighten securely.

ERA® Post Top Crook Tenon Mount - HA01L / HA01S Installation Instructions

Note: For proper drilling of poles be sure to note fixture orientation to anchor bolts. Select one of the orientations suited to your pole and keep consistent for all poles the same. Drawings below show proper orientation for fixture mounting arrangement "A".

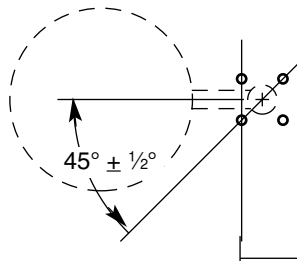
Mounting Cat. No. : 1A 
Arm / Fixture EPA:

HA01L - Large	
RA25	1.8
AE21/BE21	1.7
LE26	1.9

HA01S - Small	
RA17	1.1
AE17/BE17	1.0
LE19	1.3

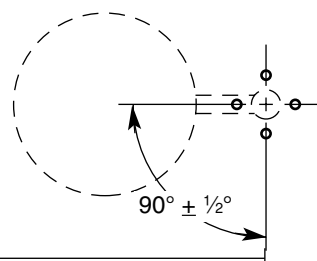
Detail A

Orientation for poles with anchor bolts in corners of base plate.



Detail B

Orientation for poles with anchor bolts on center line.



KIM LIGHTING LIMITED WARRANTY

When installed in accordance with Kim Installation Instructions and accepted trade practices, the following shall apply:

General Product Limited Warranty Coverage

All material and component parts used in the manufacture of Kim Products, are warranted to be free from defects of material and/or workmanship for a period of 1 year from date of sale, with the following exceptions:

Auxiliary Equipment

All auxiliary equipment (such as lamps, ballasts, and transformers) provided by and/or included in Kim Products shall carry the component manufacturer's warranty.

Copper and Bronze Landscape Components

Copper and Bronze Landscape fixture components shall be warranted against defects of material and/or workmanship, and failure due to corrosion, for a period of 25 years from date of sale.

Composite In-Grade Components

Composite In-Grade fixture components installed below grade, shall be warranted against defects of material and/or workmanship, and failure due to corrosion, for a period of 7 years from date of sale.

Aluminum Landscape Components

Aluminum Landscape fixture components not in direct contact with soil, shall be warranted against defects of material and/or workmanship for a period of 3 years from date of sale. Aluminum fixture components in direct contact with soil shall be warranted from defects of material and failure from corrosion for a period of 1 year from date of sale.

Limit of Liability and General Conditions

Only products which are installed, used and maintained in accordance with applicable Kim instructions, specifications and accepted trade practices, are covered by the Kim Warranty. During the warranty period, with proof of purchase, Kim will repair or replace with the same or similar product, at Kim's option, without charge. Labor costs are the owner's responsibility and are excluded from this warranty. This warranty is void if the product is modified, tampered with, misapplied, poorly installed, improperly maintained, or subjected to abnormal conditions.

Repair or replacement as provided under this warranty is the exclusive remedy of the purchaser. This warranty is in lieu of all other warranties, expressed or implied, including any implied warranty of fitness for a particular application. Kim Lighting shall not be liable to the purchaser for indirect or consequential damages.



How may we serve you better?
Please let us know. Visit our website at:
www.kimlighting.com
Your concerns are important to us.