

Architectural Arms with Poles Installation Instructions



WARNING: Fixtures must be grounded in accordance with local codes or the National Electrical Code. Failure to do so may result in serious personal injury.

MAINTENANCE: A regularly scheduled maintenance program must be established to insure paint coating is intact, corrosion or structural damage has not occurred, and all mounting arms, rods, nuts and bolts are tight.


NOTE: All wiring must be done by a qualified electrician. KEEP THIS SHEET FOR FUTURE REFERENCE.

Attention: Lay pole horizontal on padded supports to protect finish.

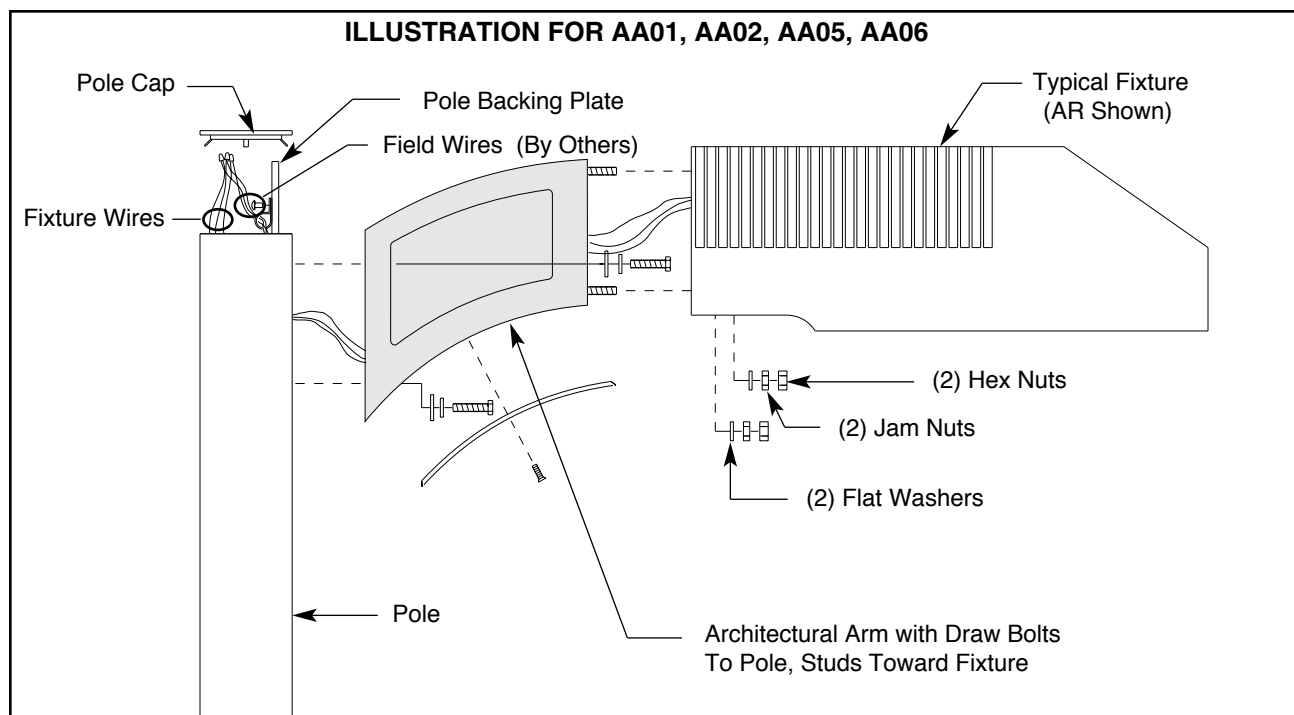
Tools Required:

- Ratchet with a $\frac{9}{16}$ " 6 or 12 Point Deep Socket
- Torque Wrench $\frac{3}{32}$ " Allen Wrench
- 12" Long Socket Extension

Caution: When fixtures are mounted on round poles, a $+4^\circ$ alignment tolerance can be expected. Before raising pole, be sure fixtures are properly aligned with anchor base and other fixture.

INSTALLATION INSTRUCTIONS :  Make certain the electrical supply is **OFF** before starting fixture installation.

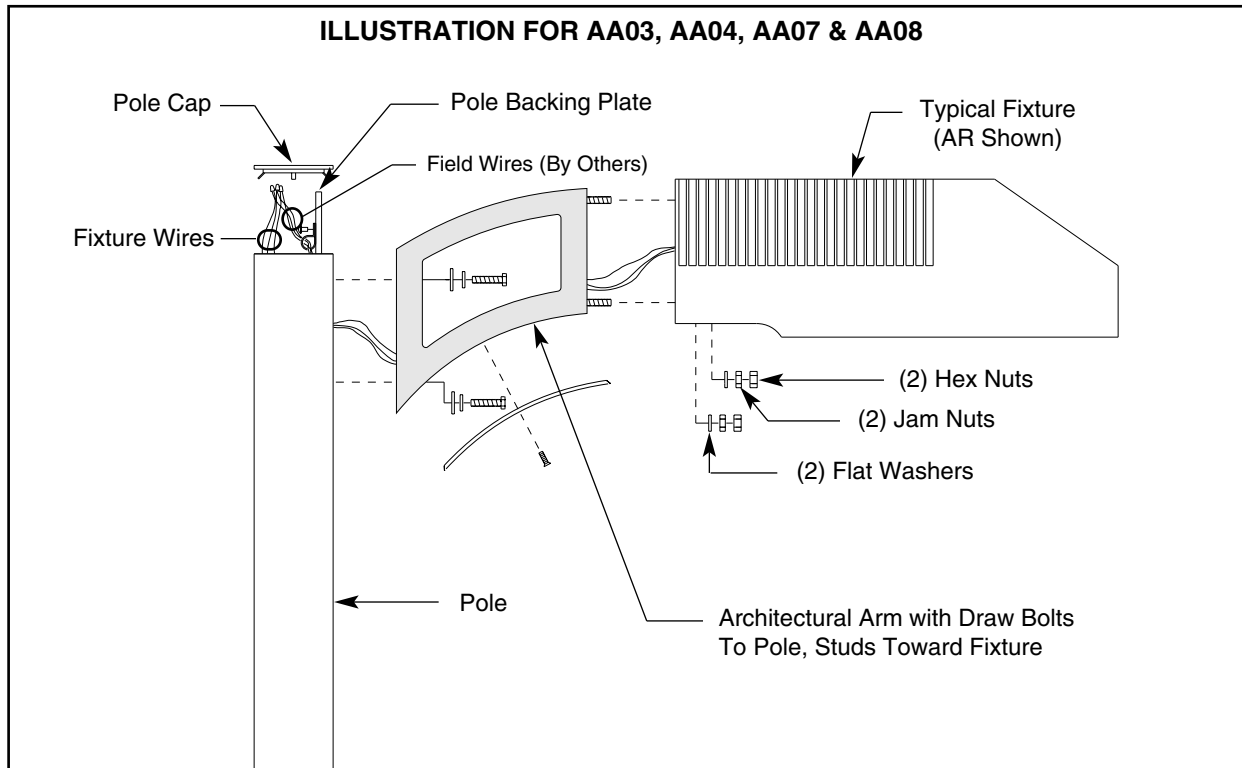
1. Remove pole cap assembly from pole using $\frac{3}{32}$ " allen wrench.
2. Pull field wires through pole and out pole top. Tie-wrap wires to pole backing plate. Tie field wires into a knot or back loop through tie wrap. Wire leads need to extend 12" beyond the pole top.
3. Hold pole backing plate inside pole and thread draw bolts through Architectural Arm and into plate. Tighten bolts to 15-20 ft. lbs. torque.
4. Mount fixture to arm using washers and thin jam nuts, torqued to 15-20 ft. lbs. Secure with thick nuts over jam nuts. Feed fixture wires through arm and out of pole top.
5. Make connections to field wires at top of pole. Replace pole cap.



For illustration drawing AA03, AA04, AA07, and AA08 see page 2.

Architectural Arms with Poles

Installation Instructions



KIM LIGHTING LIMITED WARRANTY

When installed in accordance with Kim Installation Instructions and accepted trade practices, the following shall apply:

General Product Limited Warranty Coverage

All material and component parts used in the manufacture of Kim Products, are warranted to be free from defects of material and/or workmanship for a period of 1 year from date of sale, with the following exceptions:

Auxiliary Equipment

All auxiliary equipment (such as lamps, ballasts, and transformers) provided by and/or included in Kim Products shall carry the component manufacturer's warranty.

Copper and Bronze Landscape Components

Copper and Bronze Landscape fixture components shall be warranted against defects of material and/or workmanship, and failure due to corrosion, for a period of 25 years from date of sale.

Composite In-Grade Components

Composite In-Grade fixture components installed below grade, shall be warranted against defects of material and/or workmanship, and failure due to corrosion, for a period of 7 years from date of sale.

Aluminum Landscape Components

Aluminum Landscape fixture components not in direct contact with soil, shall be warranted against defects of material and/or workmanship for a period of 3 years from date of sale. Aluminum fixture components in direct contact with soil shall be warranted from defects of material and failure from corrosion for a period of 1 year from date of sale.

Limit of Liability and General Conditions

Only products which are installed, used and maintained in accordance with applicable Kim instructions, specifications and accepted trade practices, are covered by the Kim Warranty. During the warranty period, with proof of purchase, Kim will repair or replace with the same or similar product, at Kim's option, without charge. Labor costs are the owner's responsibility and are excluded from this warranty. This warranty is void if the product is modified, tampered with, misapplied, poorly installed, improperly maintained, or subjected to abnormal conditions.

Repair or replacement as provided under this warranty is the exclusive remedy of the purchaser. This warranty is in lieu of all other warranties, expressed or implied, including any implied warranty of fitness for a particular application. Kim Lighting shall not be liable to the purchaser for indirect or consequential damages.



How may we serve you better?
Please let us know. Visit our website at:
www.kimlighting.com
Your concerns are important to us.