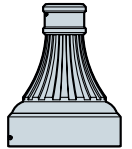




**KIM LIGHTING**

P.O. Box 60080 • 16555 East Gale Ave.  
City of Industry, California 91716-0080  
626/968-5666 • FAX 626/330-3861



HBC2

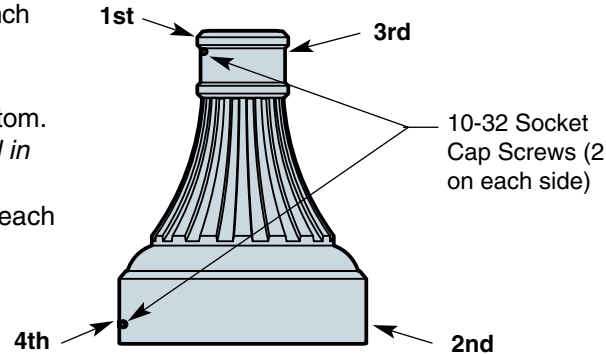
## Heritage Base Installation Instructions



**WARNING: Fixtures must be grounded in accordance with local codes or the National Electrical Code. Failure to do so may result in serious personal injury. KEEP THIS SHEET FOR FUTURE REFERENCE.**

**Tools Required:**  3/16" Hex Socket Wrench  1/8" Hex Socket Wrench

- Decorative Base comes in two places. Fasten **each** piece with 2 stainless steel 10-32 socket cap screws (provided) on top and bottom. **IMPORTANT! Screws must be tightened diagonally as numbered in illustration. It is best to tighten screws progressively.**
- To secure base cover to pole 1/4-20 set screws are provided (1 on each side).
- Base must not be in direct contact with soil.



	MODEL	BASE DIA.
	HBC2 5" Pole	18 1/4"
	HBC2 6" Pole	22 7/8"

How may we serve you better?  
Please let us know. Visit our website at:  
[www.kimlighting.com](http://www.kimlighting.com)  
Your concerns are important to us.

Reision 7/16/10

EC 100715008

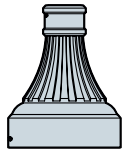
Status 3

Part No. 95727



**KIM LIGHTING**

P.O. Box 60080 • 16555 East Gale Ave.  
City of Industry, California 91716-0080  
626/968-5666 • FAX 626/330-3861



HBC2

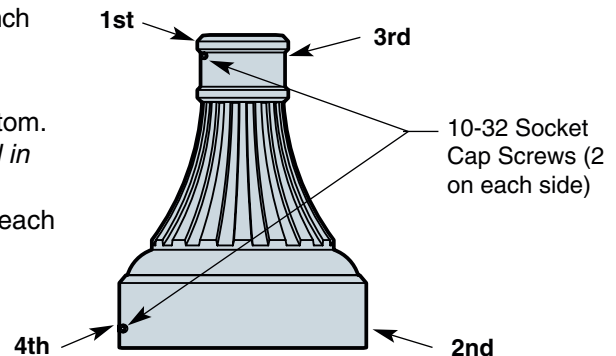
## Heritage Base Installation Instructions



**WARNING: Fixtures must be grounded in accordance with local codes or the National Electrical Code. Failure to do so may result in serious personal injury. KEEP THIS SHEET FOR FUTURE REFERENCE.**

**Tools Required:**  3/16" Hex Socket Wrench  1/8" Hex Socket Wrench

- Decorative Base comes in two places. Fasten **each** piece with 2 stainless steel 10-32 socket cap screws (provided) on top and bottom. **IMPORTANT! Screws must be tightened diagonally as numbered in illustration. It is best to tighten screws progressively.**
- To secure base cover to pole 1/4-20 set screws are provided (1 on each side).
- Base must not be in direct contact with soil.



	MODEL	BASE DIA.
	HBC2 5" Pole	18 1/4"
	HBC2 6" Pole	22 7/8"

How may we serve you better?  
Please let us know. Visit our website at:  
[www.kimlighting.com](http://www.kimlighting.com)  
Your concerns are important to us.

Reision 7/16/10

EC 100715008

Status 3

Part No. 95727

## KIM LIGHTING LIMITED WARRANTY

When installed in accordance with Kim Installation Instructions and accepted trade practices, the following shall apply:

### General Product Limited Warranty Coverage

All material and component parts used in the manufacture of Kim Products, are warranted to be free from defects of material and/or workmanship for a period of 1 year from date of sale, with the following exceptions:

### Auxiliary Equipment

All auxiliary equipment (such as lamps, ballasts, and transformers) provided by and/or included in Kim Products shall carry the component manufacturer's warranty.

### Copper and Bronze Landscape Components

Copper and Bronze Landscape fixture components shall be warranted against defects of material and/or workmanship, and failure due to corrosion, for a period of 25 years from date of sale.

### Composite In-Grade Components

Composite In-Grade fixture components installed below grade, shall be warranted against defects of material and/or workmanship, and failure due to corrosion, for a period of 7 years from date of sale.

### Aluminum Landscape Components

Aluminum Landscape fixture components not in direct contact with soil, shall be warranted against defects of material and/or workmanship for a period of 3 years from date of sale. Aluminum fixture components in direct contact with soil shall be warranted from defects of material and failure from corrosion for a period of 1 year from date of sale.

### Limit of Liability and General Condition

Only products which are installed, used and maintained in accordance with applicable Kim instructions, specifications and accepted trade practices, are covered by the Kim Warranty. During the warranty period, with proof of purchase, Kim will repair or replace with the same or similar product, at Kim's option, without charge. Labor costs are the owner's responsibility and are excluded from this warranty. This warranty is void if the product is modified, tampered with, misapplied, poorly installed, improperly maintained, or subjected to abnormal conditions.

Repair or replacement as provided under this warranty is the exclusive remedy of the purchaser. This warranty is in lieu of all other warranties, expressed or implied, including any implied warranty of fitness for a particular application. Kim Lighting shall not be liable to the purchaser for indirect or consequential damages.



## KIM LIGHTING LIMITED WARRANTY

When installed in accordance with Kim Installation Instructions and accepted trade practices, the following shall apply:

### General Product Limited Warranty Coverage

All material and component parts used in the manufacture of Kim Products, are warranted to be free from defects of material and/or workmanship for a period of 1 year from date of sale, with the following exceptions:

### Auxiliary Equipment

All auxiliary equipment (such as lamps, ballasts, and transformers) provided by and/or included in Kim Products shall carry the component manufacturer's warranty.

### Copper and Bronze Landscape Components

Copper and Bronze Landscape fixture components shall be warranted against defects of material and/or workmanship, and failure due to corrosion, for a period of 25 years from date of sale.

### Composite In-Grade Components

Composite In-Grade fixture components installed below grade, shall be warranted against defects of material and/or workmanship, and failure due to corrosion, for a period of 7 years from date of sale.

### Aluminum Landscape Components

Aluminum Landscape fixture components not in direct contact with soil, shall be warranted against defects of material and/or workmanship for a period of 3 years from date of sale. Aluminum fixture components in direct contact with soil shall be warranted from defects of material and failure from corrosion for a period of 1 year from date of sale.

### Limit of Liability and General Conditions

Only products which are installed, used and maintained in accordance with applicable Kim instructions, specifications and accepted trade practices, are covered by the Kim Warranty. During the warranty period, with proof of purchase, Kim will repair or replace with the same or similar product, at Kim's option, without charge. Labor costs are the owner's responsibility and are excluded from this warranty. This warranty is void if the product is modified, tampered with, misapplied, poorly installed, improperly maintained, or subjected to abnormal conditions.

Repair or replacement as provided under this warranty is the exclusive remedy of the purchaser. This warranty is in lieu of all other warranties, expressed or implied, including any implied warranty of fitness for a particular application. Kim Lighting shall not be liable to the purchaser for indirect or consequential damages.

