



Mini Bounce™ Arm Mount - BNM Installation Instructions

⚠ WARNING: Fixtures must be grounded in accordance with local codes or the National Electrical Code. Failure to do so may result in serious personal injury.

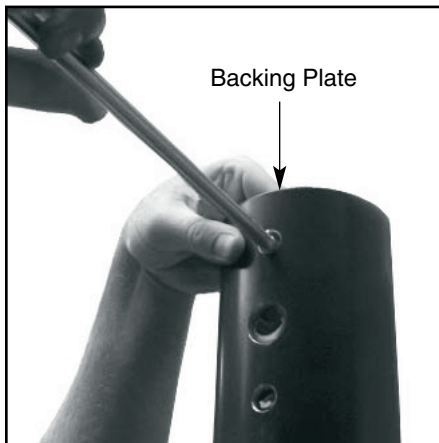
MAINTENANCE: A regularly scheduled maintenance program must be established to insure paint coating is intact, corrosion or structural damage has not occurred, and all mounting arms, rods, nuts and bolts are tight.

NOTE: All wiring must be done by a qualified electrician.

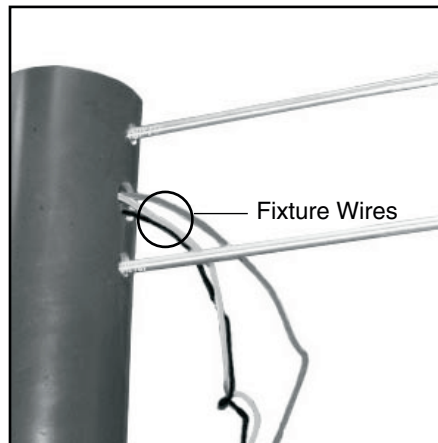
KEEP THIS SHEET FOR FUTURE REFERENCE.

Tools Required: 1/16" Socket & Ratchet 7/64" Hex Wrench Flat Blade Screwdriver
 10" Ratchet Extension

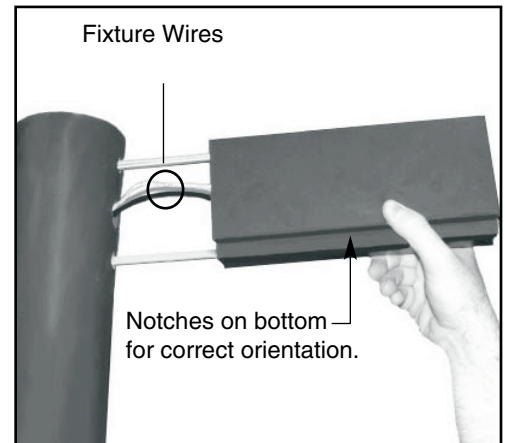
ARM MOUNT INSTALLATION: **⚠** Make certain electrical supply is **OFF** before starting installation.



Backing Plate



Fixture Wires

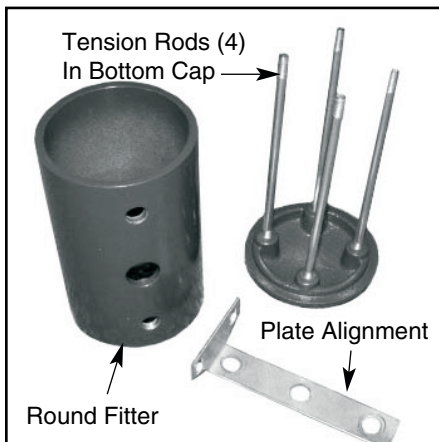


Fixture Wires

Notches on bottom for correct orientation.

1. Place backing plate inside pole and thread long threaded end of studs into backing plate.

2. Feed supplied wiring through wiring hole in pole and through handhole. Slide arm onto studs with the notches downward.



Tension Rods (4)
In Bottom Cap

Plate Alignment

Round Fitter

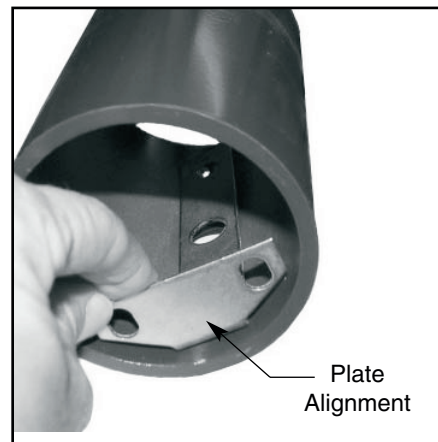
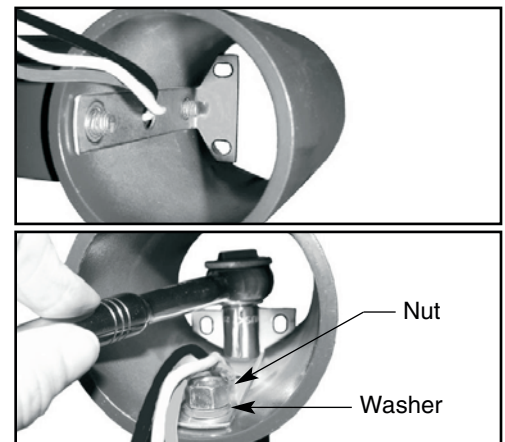


Plate Alignment



Nut

Washer

3. Place the plate alignment inside the fitter with holes lining up in fitter.

4. Attach round fitter to arm. Secure with washers and nuts using a 1/16" ratchet wrench.

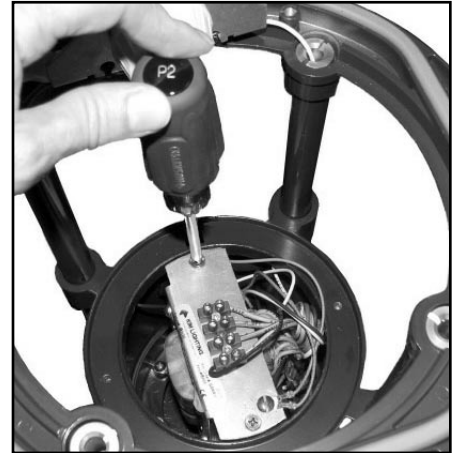
Bounce™ Arm Mount - BNM Installation Instructions



5. Install bottom cap with four rods into the two holes in plate alignment.



6. Remove ballast cover from fixture using a hex wrench.



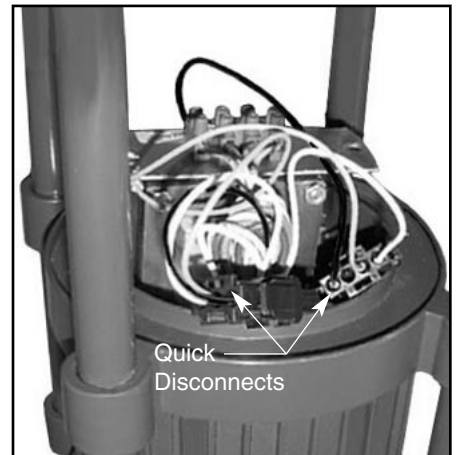
7. Remove the two screws holding the ballast plate in place, and slide ballast out.



8. Install fixture assembly onto round fitter matching the four (4) tension rods to holes.



9. Orient fixture relative to mount to provide desired lighting distribution. Secure with washers and nuts using a $\frac{9}{16}$ " ratchet wrench with 10" extension.



10. Connect quick-disconnects (2), and tuck into ballast compartment. Connect fixture leads to field circuit wires at handhole observing polarity, i.e.; green-to-ground, white-to-common, and black-to-voltage.




11. Reinstall ballast and secure ballast with the two screws provided.



12. Install ballast cover with two screws provided.

Bounce™ Arm Mount - BNM Installation Instructions

LAMP INSTALLATION OR REPLACEMENT:

 Make certain electrical supply is **OFF** before starting lamp installation or replacement.



1. Open fixture hood assembly by loosening the three (3) self-retained fasteners on lens frame.



2. Gently swing open the hood assembly and install or replace lamp of type and wattage as shown on fixture label.



3. Close hood assembly and tighten screws.

WARNING:

This H.I.D. / Fluorescent fixture utilizes a lamp that may contain mercury. For information on disposal of lamp, go to website:

www.lamprecycle.org

KIM LIGHTING WARRANTY

When installed in accordance with Kim Installation Instructions and accepted trade practices, the following shall apply:

General Product Limited Warranty Coverage

All materials and component parts used in the manufacture of Kim Products, are warranted to be free from defects of material and/or workmanship for a period of 1 year from date of sale, with the following exceptions:

Auxiliary Equipment

All auxiliary equipment (such as lamps, ballasts, and transformers) provided by and/or included in Kim products shall carry the component manufacturer's warranty.

Copper and Bronze Landscape Components

Copper and Bronze Landscape fixture components shall be warranted against defects of material and/or workmanship, and failure due to corrosion, for a period of 25 years from date of sale.

Composite In-Grade Components

Composite In-Grade fixture components installed below grade, shall be warranted against defects of material and/or workmanship, and failure due to corrosion, for a period of 7 years from date of sale.

Aluminum Landscape Components

Aluminum Landscape fixture components not in direct contact with soil, shall be warranted against defects of material and/or workmanship for a period of 3 years from date of sale. Aluminum fixture components in direct contact with soil shall be warranted from defects of material and failure from corrosion for a period of 1 year from date of sale.

Limit of Liability and General Conditions

Only products which are installed, used and maintained in accordance with applicable Kim instructions, specifications and accepted trade practices, are covered by the Kim Warranty. During the warranty period, with proof of purchase, Kim will repair or replace with the same or similar product, at Kim's option, without charge. Labor costs are the owner's responsibility and are excluded from this warranty. This warranty is void if the product is modified, tampered with, misapplied, poorly installed, improperly maintained, or subjected to abnormal conditions.

Repair or replacement as provided under this warranty is the exclusive remedy of the purchaser. This warranty is in lieu of all other warranties, expressed or implied, including any implied warranty of fitness for a particular application. Kim Lighting shall not be liable to the purchaser for indirect or consequential damages.



How may we serve you better?
Please let us know. Visit our website at:
www.kimlighting.com
Your concerns are important to us.