

RECOMMENDED INSTALLATION INSTRUCTIONS FOR ADEZ SERIES ALUMINUM DEADEND



CONDUCTOR MUST BE CLEAN (WIRE BRUSHED), STRAIGHT, IN LAY AND FREE OF BURRS TO ENSURE PROPER INSTALLATION AND LONG TERM PERFORMANCE.

WARNING

DESIGNED for partial tension applications.

Do NOT remove hoist or come-along without ensuring u-bolts are tightened to recommended torque values

Do NOT reuse ADEZ series aluminum deadend.

NOTICE

Instructions provided for reference only and should not replace utility training.

Contact Hubbell Power Systems, Inc. for application questions.

U-Bolts Size	Recommended Torque*
3/8" Steel	240 in-lbs or 20 ft-lbs
1/2" Steel	480 in-lbs or 40 ft-lbs

*Torque values are molded on part

1. Check the conductor size molded into body of ADEZ deadend to ensure correct size for application.
2. Attached ADEZ deadend to PDI or pole fitting.
3. Place hoist hook into the eye of the ADEZ deadend and hoist grip onto the conductor to create slack.
4. Loosen outer u-bolts to release keeper.
5. Place conductor into the groove.
6. Lower the keeper and loop the outer u-bolt onto the lip of the keeper. Make sure front and back of keeper sits in-line with conductor.
7. Secure conductor by holding the keeper down while tightening the outer u-bolts nuts.
8. Once fully seated, tighten both the inner and outer u-bolts to the recommended torque value, alternating between inner and outer u-bolts in order to prevent any misalignment on the keeper.
9. Verify that keeper sits in-line conductor adequately (conductor lies at the center of the body groove - front and back of the keeper sits in-line with conductor) and that conductor is secured before releasing the hoist.

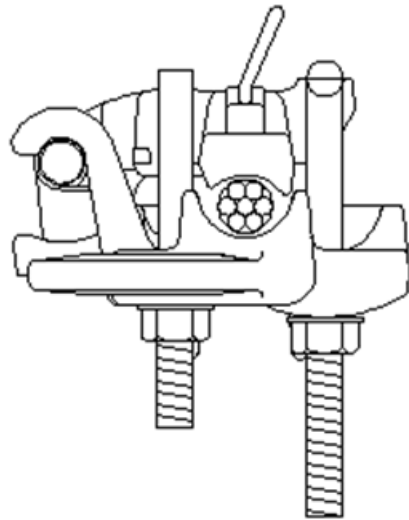
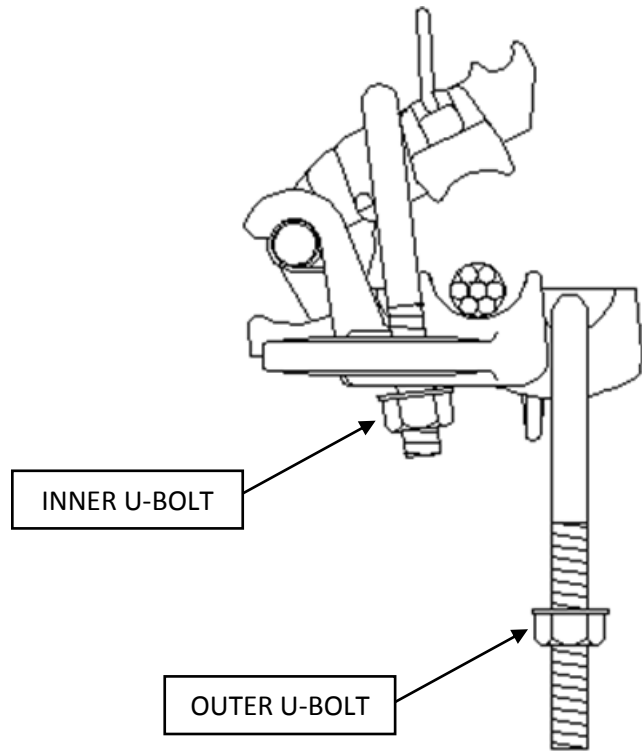
Note - ADEZ's are rated 40% of RBS of conductor – partial tension per ANSI C119.4

NOTE: Hubbell Power Systems, Inc has a policy of continuous product improvement.
We reserve the right to change design and specifications without notice.

ANDERSON

INS 127
Part Number: 1999127
Revision: 00 – EC 63850
Bulletin Number: TD_05_076_E





NOTE: Hubbell Power Systems, Inc has a policy of continuous product improvement. We reserve the right to change design and specifications without notice.