



ATS-APANTARTMNT-UNIV1

AP ANTENNA ARTICULATING
UNIVERSAL MOUNT

Installation Guide



Contents

Overview.....	2
Installation Safety.....	2
Tools Required.....	2
Possible Configurations.....	3
Parts Overview.....	4
Installation.....	5
Inspect Mounting Area.....	5
Assemble Mount.....	5
Attach to conduit.....	7
Additional Help and Support.....	8

Overview

This is a quick installation guide for the AccelTex AP antenna articulating universal mount. This install goes over the steps of putting the mount together in order to attach one access point (AP) and one antenna. Please see the “Possible Configurations” section of this guide for other possible universal mount configurations. It will depend on the mounting surface structure as to which configuration will work for a specific setup. Once the overall setup is connected to the building structure, the antenna to be attached can be further adjusted to provide coverage in desired directions. Please read through entire guide before beginning. This guide assumes a network drop is present at the mounting location.

Installation Safety

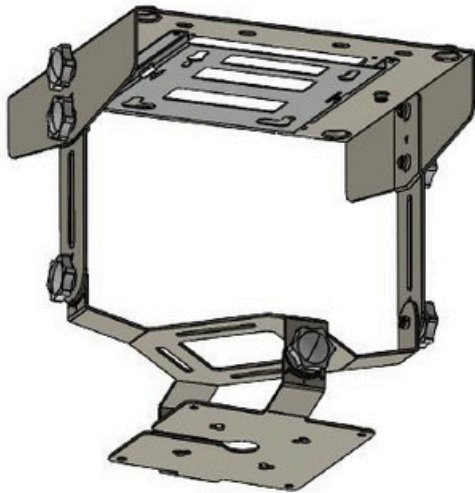
The installation of this mount may require a person to lift weight at significant height. Be sure to use all proper Personal Protection Equipment (PPE) and designate a work area during installation.

Tools Required

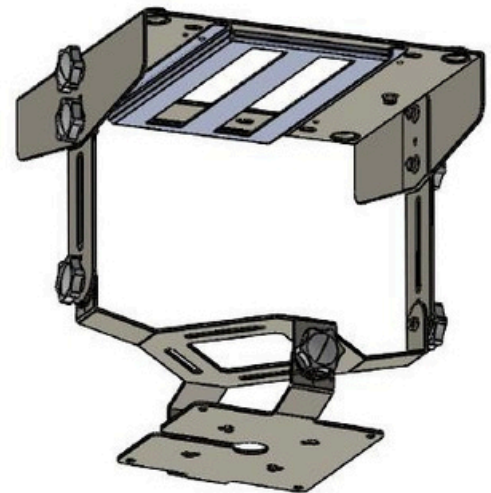
- (1) Socket Set
- (1) Socket Wrench

Possible Configurations

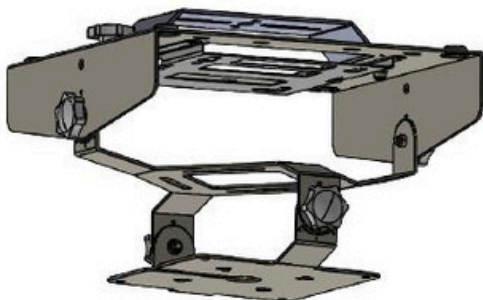
The ATS-APANTARTMNT-UNIV1 should be configured according to the AP attachment requirements and the desired location's ceiling structure. Keep in mind many types of antenna can be attached to the universal antenna mount, but that a separate antenna bracket may need to be installed first. Below are examples of the possible configurations.



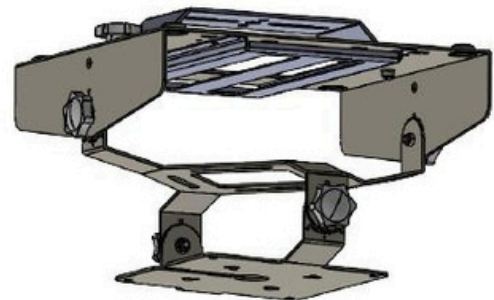
#1 - Universal Mount w/Extension and CISCO-MIST, V-TBAR AP Mount



#2 - Universal Mount w/Extension and H-TBAR AP Mount

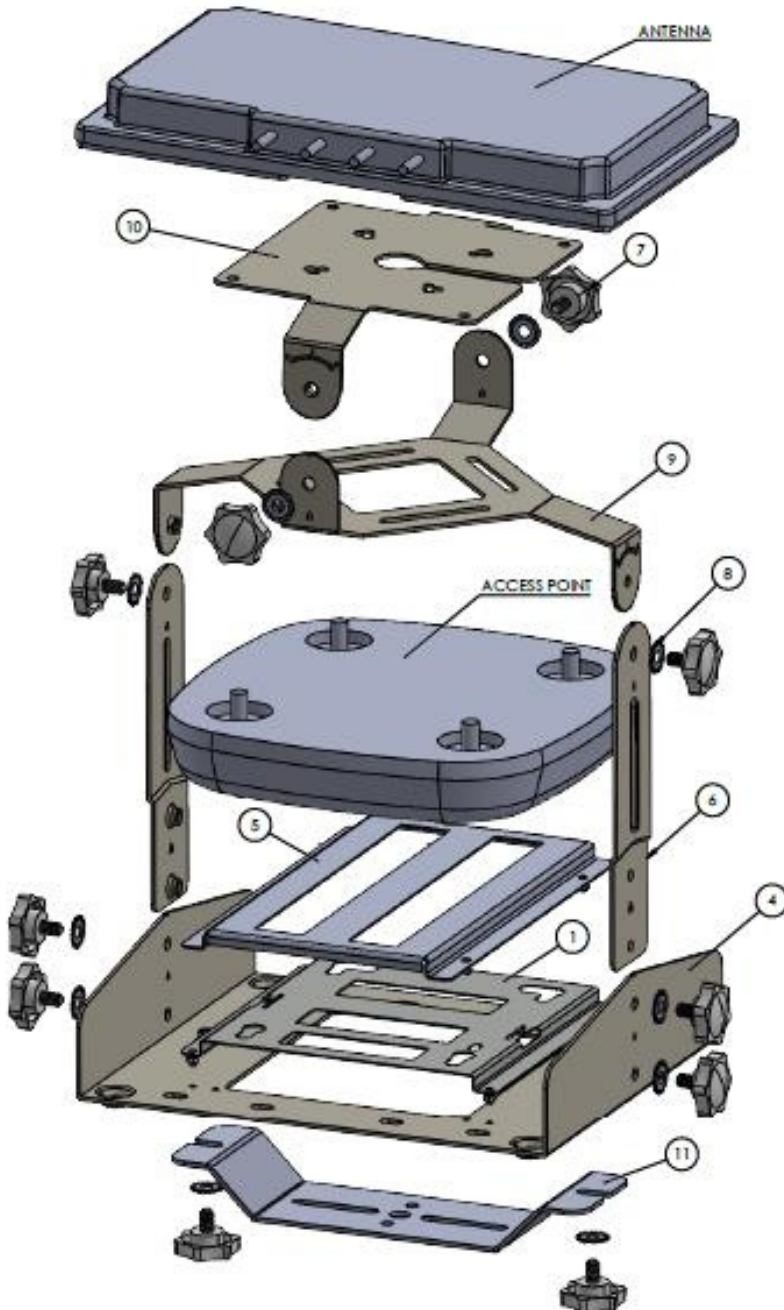


#3 - Universal Mount w/No Extension and CISCO-MIST, V-TBAR AP Mount w/All Thread Rail Mount



#4 - Universal Mount w/No Extension and H-TBAR AP Mount w/All Thread Rail Mount

Parts Overview



Part No.	Description	Qty
1	CISCO, MIST, Vertical TBAR AP Mount	1
2	M3 Weld Stud (Attached to backside of Part No. 1 and Part No. 5)	4
3	M3 Hexnut	4
4	Main Baseplate	1
5	Horizontal TBAR AP Mount	1
6	Extension Bracket	2
7	M6-15 Knob	10
8	6-22 Tooth Lock Washer	10
9	Cord Manager	1
10	Universal Antenna Mount	1
11	All Thread, Rail, Main Body Mount	1
12	Access Point	1
13	Antenna (Many different antennas may be used, the model to the left may not depict the antenna being used in all installs)	1
14	Antenna Mount Backplate (Shown already attached to back of the antenna in the picture)	1

INSTALLATION

Inspect Mounting Area

The ATS-APANTARTMNT-UNIV1 needs to be securely attached to stable building structure.

Directions

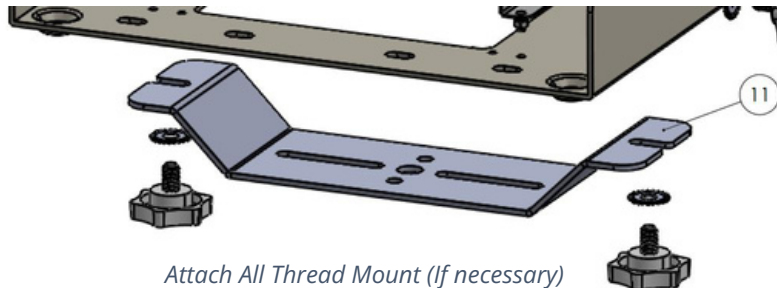
1. Inspect that the red iron or all thread is mounted properly to the building's structure. Ensure that the pieces of metal are not loose or severely rusted.
2. Make sure appropriate mounting hardware is readily available to attach the mount.
3. Make sure the network cabling drop is long enough to reach the AP within the universal mount.

Assemble Mount

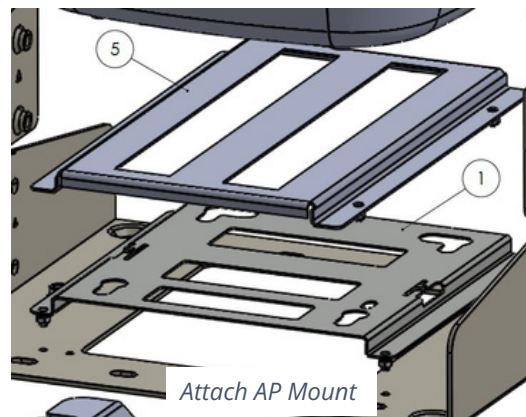
The ATS-APANTARTMNT-UNIV1 mount needs to be fully assembled before connecting to the building structure.

Directions

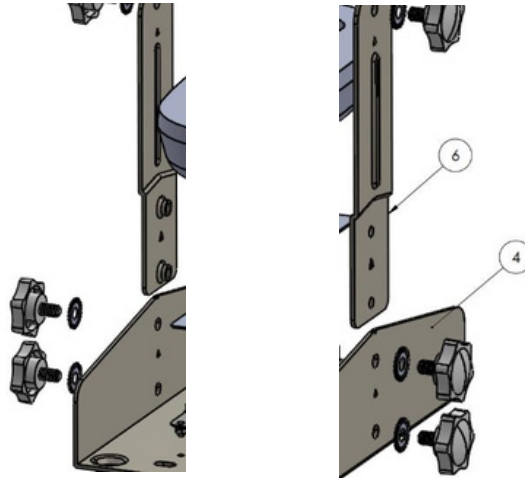
1. If using all-thread mounting option, attach the All Thread, Rail, Main Body Mount (11) to the Main Baseplate (4) using two 6-22 Tooth Lock Washers (8) and M6-15 Knobs (7).



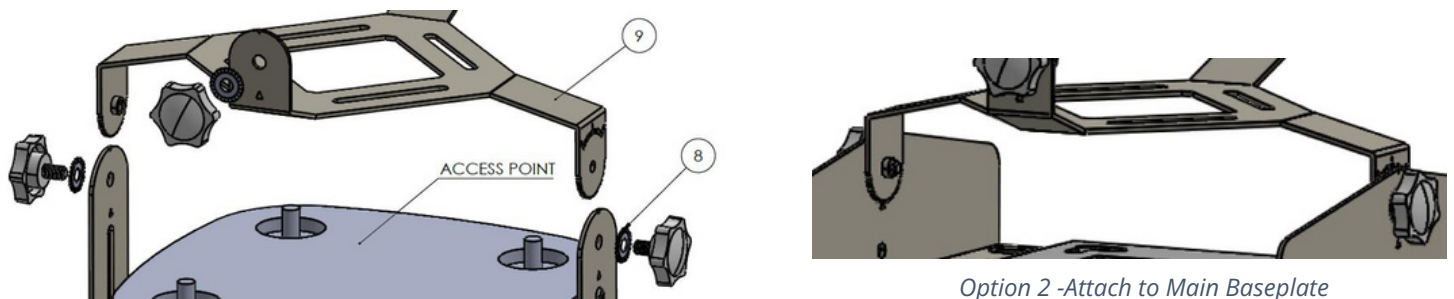
2. If using the Vertical TBAR AP Mount, attach the CISCO, MIST, Vertical TBAR AP Mount (1) to the Main Baseplate (4) by securing the 4 M3 Weld Studs (2) on the back of the mount to the Main Baseplate using the four M3 Hexnuts (3). If using the Horizontal TBAR AP Mount, attach the Horizontal TBAR AP Mount (5) to the Main Baseplate (4) by securing the four M3 Weldstud's (2) on the back of the mount to the Main Baseplate using the four M3 Hexnuts (3). Use the 5.5mm socket and socket wrench to secure the weld studs.



3. If using the extension brackets, attach an Extension Bracket (6) to each side wall of the Main Baseplate (4) using two 6-22 Tooth Lock Washers (8) and M6-15 Knobs (7).



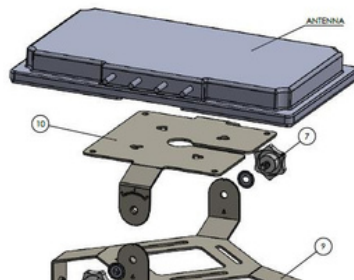
4. Attach the Cord Manager (9) to the Extension brackets (6) if used or to the Main Baseplate (4) if not used. Use one 6-22 Tooth Lock Washer (8) and M6-15 Knob (7) for each connection point.



Option 1 - Attach to Extension Brackets

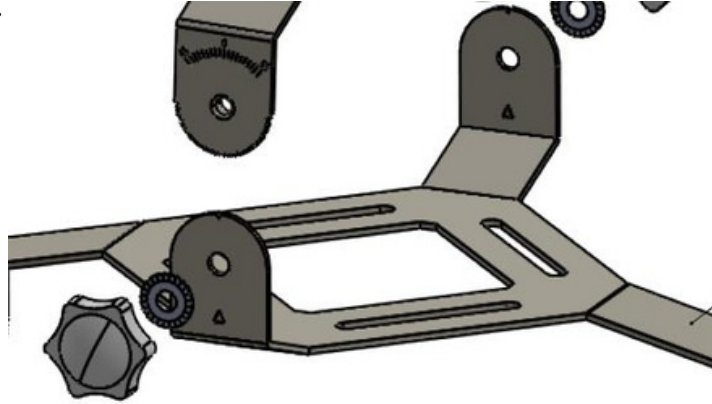
Option 2 - Attach to Main Baseplate

5. If necessary, attach the Antenna Mount Backplate (14) to the back of the antenna. Then, secure the Antenna Mount Backplate (14) to the Universal Antenna Mount (10).



Attach the Antenna to Backplate, Then Attach Backplate to Universal Antenna Mount

6. Use the appropriate hardware (not provided) to attach the baseplate to the desired building structure whether it be red iron, all-thread, or something else. Be sure that the baseplate is not loose before moving forward.
7. Insert the Access Point (12) into its respective mounting bracket and secure it appropriately.
8. Attach the Universal Antenna Mount (10) to the Cord Manager (9) using two 6-22 Tooth Lock Washers (8) and M6-15 Knobs (7).



Attach Universal Antenna Mount to the Cord Manager

9. Connect any cable or cables from the Antenna to the AP. Connect the network drop to the AP to provide network connectivity.
10. Use the M6-15 Knobs to adjust the angle of the patch antenna to point in the desired direction.

Additional Help and Support



www.hubbell.ca/acceltex



1.800.465.7051



serviceexcellence@hubbell.ca

