



ATS-CT-ABTL-APANTMNT1

Above Ceiling Tile AP
and Antenna Mount

Installation Guide



INSTALLATION GUIDE (Above Ceiling Tile AP and Antenna Mount)

Contents

Overview.....2

Installation Safety.....2

Tools Required.....2

Parts Needed.....2

Installation.....3

 Inspect Mounted Conduit.....3

 Assemble Mount.....4

Overview

This is a quick installation guide on how to install the AccelTex Above Ceiling Tile AP and Antenna Mount. The installation goes over the steps of putting the mount together along with the access point (AP). Please read the entire guide before beginning. This guide assumes a PoE drop is present at the wall mounting location.

Installation Safety

The installation of this mount may require a person to lift weight at significant heights. Be sure to use all proper personal equipment (PPE) and designate a work area during installation.

Tools Required

- (1) Subject to Mounting Hardware Options

Parts Needed

- (1) Above Ceiling Tile AP and Antenna Mount (MOUNT)
- (1) AP and ANTENNA (Not Provided)
- (1) Standard Ceiling Tile (Not Provided)



Installation

Inspect Mounted Conduit

Make sure the Mount placement is at the network drop location on the ceiling.

Directions

1. Remove the ceiling tile and cut a 3 3/8" X 3 3/8" slot in the middle as shown in Fig 1.

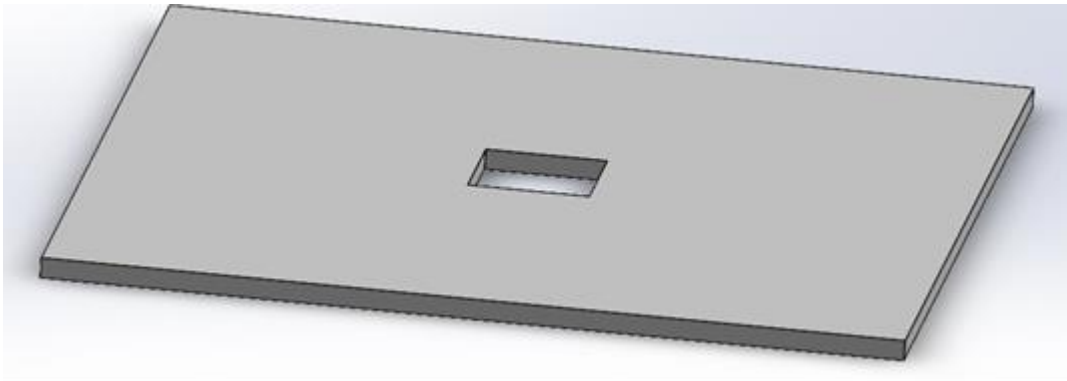


Figure 1 – Mount Exploded View

2. Place the ABOVE CEILING TILE AP AND ANTENNA MOUNT on the ceiling tile, making certain that the antenna mounting bracket fits securely into the 3 3/8" X 3 3/8" slot. Install the Antenna onto the antenna mounting bracket as shown in Figure 3. **NOTE:** use the hardware that comes with the antenna to secure the antenna to the mounting bracket.

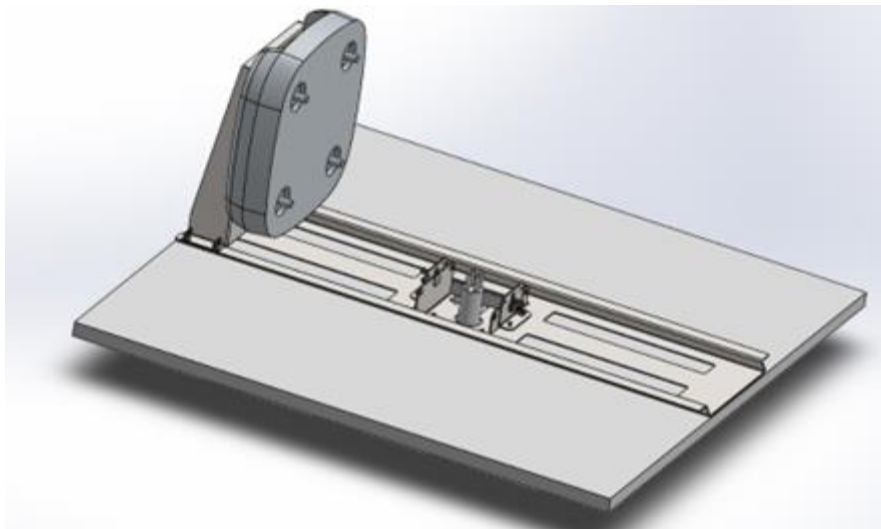


Figure 2 – Mount and AP

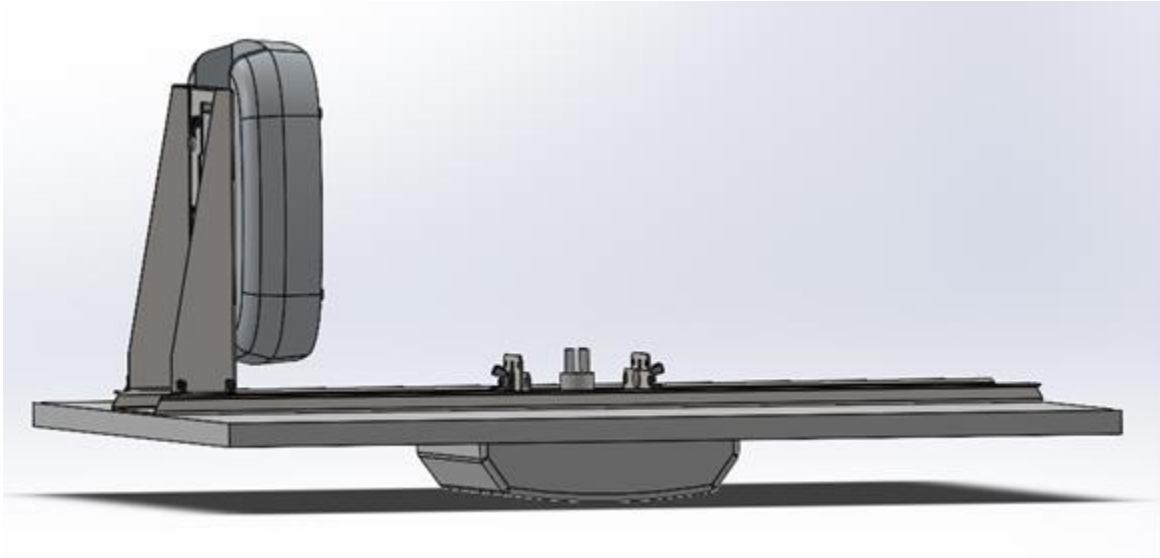


Figure 3 – Mount, AP and Antenna

3. Install the Access Point onto the AP Mount bracket as shown in Figure 2. **NOTE:** use the hardware that comes with the access point to secure the AP to the mounting bracket.
4. After AP and Antenna has been mounted, you may replace the ceiling tile and connect PoE connections.