

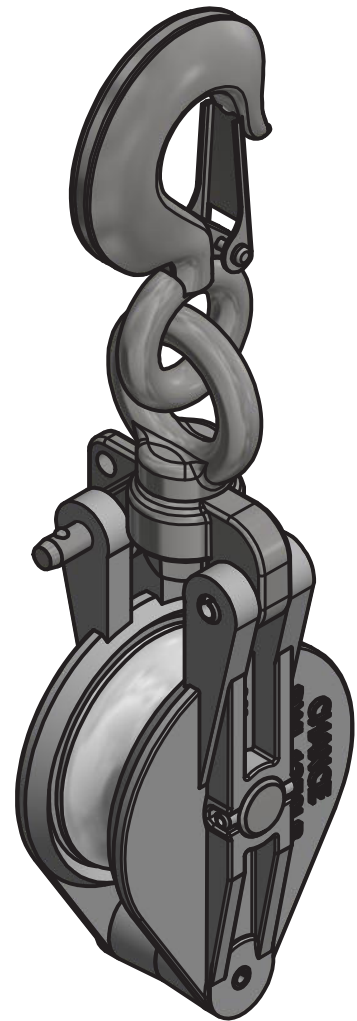
# CHANCE® Snatch Block (22301)

Working Load Limit: 1250 lb./567 kg

Weight: Approximately 2 lb./0.91 kg

Maximum Fiber Rope Diameter: 5/8" (16 mm)

Original Instructions



**ONLY use CHANCE® Snatch Block as a load handling accessory. DO NOT USE to lift persons, domestic animals, or as a fall restraint. Snatch Block is designed for use with fiber rope ONLY.**

## PARTS LIST

Snatch Block (complete assembly)	22301
Lok pin with chain and ring (replacement lok pin)	PS400006

Call Hubbell Customer Service +1 (573) 682-5521 for replacement parts.



**NOTICE:** ALWAYS READ and UNDERSTAND the warnings and instructions listed below. Keep for future reference.

Hubbell has a policy of continuous product improvement. Please visit [hubbellpowersystems.com](http://hubbellpowersystems.com) to confirm current design specifications.



©2017 Hubbell Incorporated | [hpsliterature@hubbell.com](mailto:hpsliterature@hubbell.com) | [hubbellpowersystems.com](http://hubbellpowersystems.com)



## **⚠ WARNING**

**Improperly attached or overloaded Snatch Block can break or detach and cause death, serious injury or property damage. If you cannot comply with the warnings and instructions, DO NOT use Snatch Block. To reduce the risk of SERIOUS INJURY or DEATH:**

### **KNOW HOW TO SAFELY USE SNATCH BLOCKS AND LIFTING MEDIUMS**

- **READ** and **FOLLOW** all warnings and instructions before attempting to use the Snatch Block.
- **ONLY** properly trained individuals should use Snatch Block.
- **NEVER** exceed Working Load Limit (WLL) of 1250 lbs. /5560 N.
- **NEVER** modify the Snatch Block or any components.
- **ALWAYS** be aware of and comply with all federal, state, local safety regulations, industry standards, national standards, and internal safety guidelines.
- IF there is any doubt about use, operation, maintenance or any other information, consult Hubbell Customer Service.
- **ONLY** use Snatch Block in ambient operating temperatures between 14°F (-10°C) and 122°F (50°C)

## **⚠ WARNING**

**NEVER USE SNATCH BLOCK AS A FALL PROTECTION ANCHOR POINT OR AS A CLIMBING ACCESSORY.**

- Appropriate fall protection systems must be used per all federal, state, and local safety regulations, industry standards, and internal safety guidelines.

### **INSPECT ALL COMPONENTS FOR DAMAGE BEFORE EACH USE:**

- **ALWAYS** inspect Snatch Block for damage (bent, cracked or deformed), corrosion or fatigue to cotter pins, the mounting hook and any other weight bearing component.
- **INSPECT** rope before each use, to identify any visible damage, including weathering, cracks, splitting or fraying of rope.
- **INSPECT** Ilok pin for damage and confirm attached via chain and rings. Lok pin requires a minimum of 4 lbs. (17.8 N) pull force to remove from snatch block. See Figure 1.
- **INSPECT** safety latch for damage. Safety latch should open and close fully. See Figure 2.
- **DO NOT** use if any component of the Snatch Block that shows signs of any visible damage.

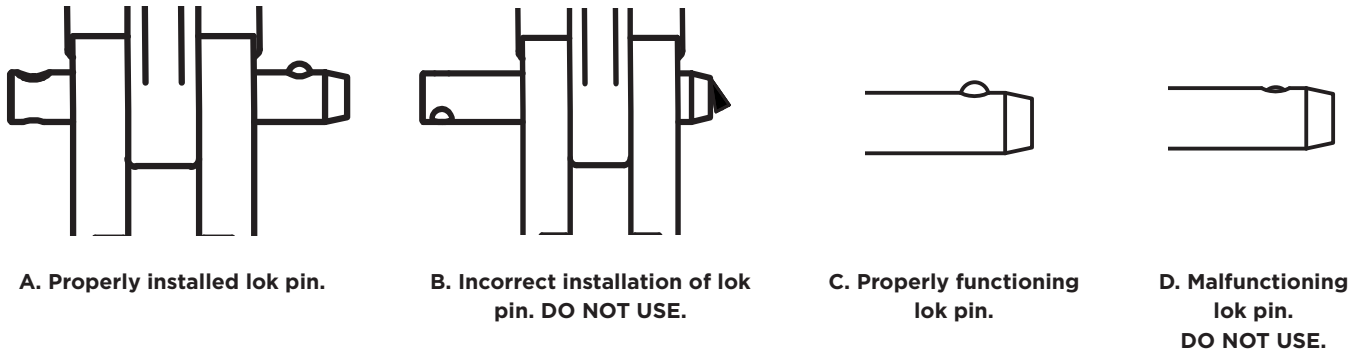
**Any Snatch Block with damage or malfunctioning safety components must be immediately tagged “Dangerous, Do Not Use” and removed from service.**

Tagged equipment must remain out of service until it has been inspected and determined by a competent person to be suitable for use. If unable to repair, dispose of the equipment per local requirements/practices.

# Installation

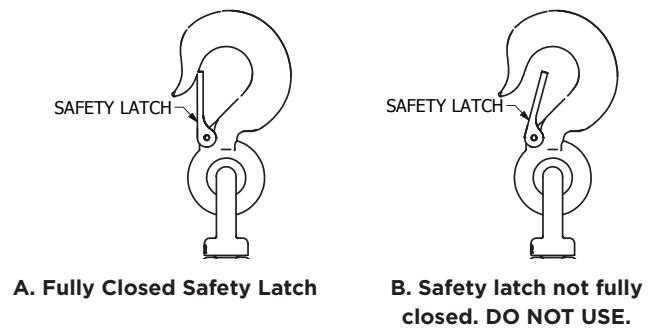
## **⚠ WARNING**

**ALWAYS** insure that lok pin is fully inserted into appropriate hole. Pin must require a minimum of 4 lbs. (17.8 N) pull out force to remove from hole. If less than 4 lbs. **DO NOT USE**. Unintentional dislodging of pin could result in **SERIOUS INJURY** or **DEATH** and damage to the load if the Snatch Block opens and drops the load.



**FIGURE 1. LOK PIN INSTALLATION**

1. Remove lok pin to install fiber rope on sheave or feed rope through available space without removing Lok Pin. Ensure that the lok pin is reinstalled properly after installation of rope. See Figure 1.
2. Secure Snatch block to structure capable of supporting the load being lifted. Ensure that the safety latch is fully closed after securing Snatch Block. See Figure 2.



**FIGURE 2. SAFETY LATCH**

## **⚠ WARNING**

**Do not use Snatch Block** if safety latch or lok pin do not operate properly. Tag Block “**Dangerous, Do Not Use**” and remove from service until it can be inspected.

## **⚠ WARNING**

**ALWAYS** insure that the safety latch is fully closed against the hook before applying the load. Failure to do so could result in **SERIOUS INJURY** or **DEATH** and **DAMAGE** to the load if the Snatch Block falls from the mounting point.

# Proper Care, Storage & Maintenance

## ⚠ WARNING

Store in clean and dry location out of direct sunlight. Avoid areas where extreme temperatures are present. **DO NOT** store where moisture, oil, caustic chemicals or their vapors or other degrading material may be present. Equipment that is damaged or awaiting inspection by a trained individual should not be stored with in-use Snatch Blocks. Heavily soiled, wet, or contaminated blocks should be cleaned and dried before storage and each use.

Lok pin may be replaced by user with replacement lok pin (PS400006) only. **DO NOT** replace with any other pin. See installation instructions for lok pin requirements. **DO NOT** inspect or replace lok pin while under load.

## LIFTING MEDIUM REQUIREMENTS

1. **Utilization Coefficient** (safety factor) of the fiber ropes used with the Snatch Block or the sheave **MUST** be at least equal to **7**.
2. Lifting medium used with the Snatch Block or sheave shall be supplied in single lengths with splice or connections only at the ends.
3. Requirements for rope terminations:
  - a. Terminations shall withstand a force of at least 85% of the minimum breaking force of the rope without rupture.
  - b. Asymmetric wedge socket clevis shall be in accordance with **EN 13411-6**.
  - c. Metal and resin socketing shall be in accordance with **EN 13411-4**.
  - d. Rope eyes with wire rope grips shall not be used as rope-end terminations.
  - e. Symmetric wedge socket clevis shall be used only for rope diameters up to 8 mm.

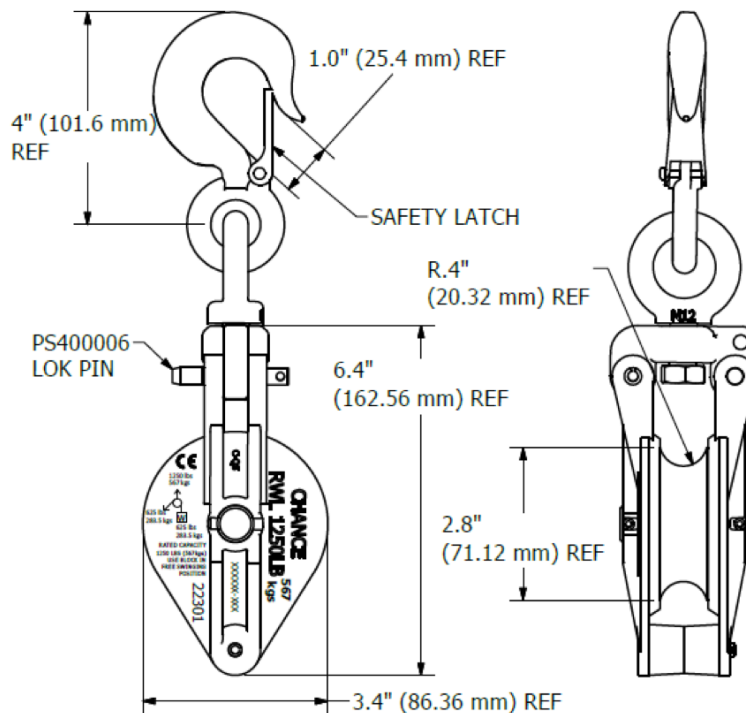
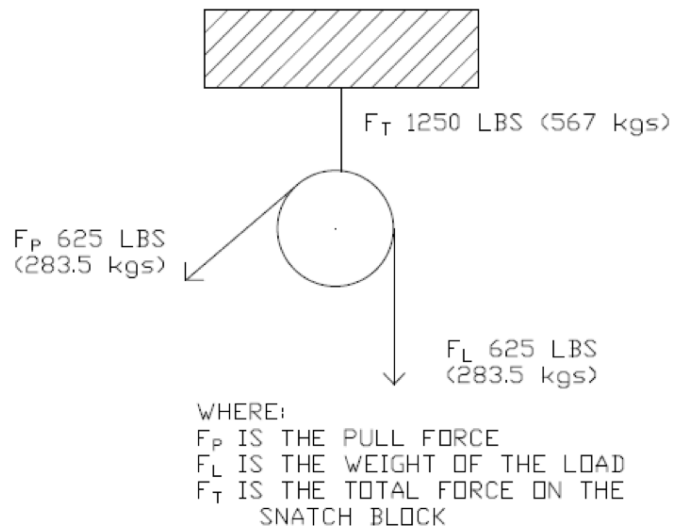


FIGURE 3. SNATCH BLOCK REFERENCE DIMENSIONS



**FIGURE 4. LOAD DIAGRAM**

## DISCLAIMER

These products should only be installed, used, or serviced by adequately trained personnel. These instructions are not a substitute for adequate training in the safe use of these products, and they do not address all situations that may be encountered when using these products. When using any product, always read and follow the installation and operating instructions and warnings for the product, all applicable federal, state, and local safety regulations, industry standards, and your employer's internal safety guidelines and operating instructions. Failure to follow applicable safety rules and instructions may result in serious injury, death, and property damage.

The user is responsible for the safe installation and use of any product, and must evaluate the conditions at the time of use and consult with their employer's internal safety guidelines or safety experts hired by your employer, as needed.

Hubbell Power Systems, Inc. is not liable for death, serious injury, or property damage resulting from the use of these products in any manner that is inconsistent with the product installation and operating instructions, your employer's internal safety guidelines, or recommendations from safety experts hired by your company.

If further information is desired or if particular problems are encountered which are not sufficiently covered in these instructions, contact Hubbell Power Systems, Inc. for additional information. Operating and installation instructions are available on the Hubbell Power Systems, Inc. website: [hubbellpowersystems.com](http://hubbellpowersystems.com)



## Declaration Of Conformity

**We of:**

Hubbell Power Systems, Inc.  
210 North Allen Street  
Centralia, MO 65202  
United States  
Tel: (573) 682-5521

**Declare that this Product:**

Snatch Block (1250 lbs rating)  
Catalog Number: 22301

Fulfills all relevant provisions of Machinery Directive 2006/42/EC  
and also fulfills all relevant provisions of:

- BS EN 13157:2004 +A1:2009 on Cranes-Safety- Hand Powered Cranes

The undersigned hereby declares, on behalf of Hubbell Power Systems, Inc. of Centralia, Mo, that the above-referenced product, to which the declaration relates, is in conformity with the above mentioned Directive and Safety Standard.

**Signed by:**

Name: Larry Bereswill  
Position: Product Engineering Manager, Safety Products  
Date: 5/12/17



Hubbell Power Systems, Inc.  
210 N. Allen St  
Centralia, MO 65240 USA  
[www.hubbellpowersystems.com](http://www.hubbellpowersystems.com)

Hubbell has a policy of continuous product improvement. Please visit [hubbellpowersystems.com](http://hubbellpowersystems.com) to confirm current design specifications.

TD\_09\_134\_E



©2017 Hubbell Incorporated | [hpsliterature@hubbell.com](mailto:hpsliterature@hubbell.com) | [hubbellpowersystems.com](http://hubbellpowersystems.com)

