

HBL

HEAVY INDUSTRIAL HIGH BAY

NOTE: Components shown in images are representative only and may vary based on the configuration ordered.

IMPORTANT SAFEGUARDS

When using electrical equipment, basic safety precautions should always be followed including the following:

- a. READ AND FOLLOW ALL SAFETY INSTRUCTIONS.
- b. Do not use outdoors.
- c. Do not mount near gas or electric heaters.
- d. Equipment should be mounted in locations and at heights where it will not readily be subjected to tampering by unauthorized personnel.
- e. The use of accessory equipment not recommended by the manufacturer may cause an unsafe condition.
- f. Do not use this equipment for other than intended use.

WARNINGS

1. This product contains chemicals known to the state of California to cause cancer, birth defects and/or other reproductive harm. Thoroughly wash hands after installing, handling, cleaning, or otherwise touching this product.
2. Contact Hubbell Lighting, Inc. for information and direction before relamping or replacing this light fixture.
3. Disconnect power before installing or servicing. Observe all precautions usually followed when dealing with high voltage equipment when installing or servicing this light fixture.
4. The product must be installed in accordance with the applicable installation code by a person familiar with the construction and operation of the product and the hazards involved.
5. Protect all wiring connections with approved insulators rated 600V / 150°C (by others).
6. Selected fixture voltage must match supply line voltage.

SAVE THESE INSTRUCTIONS FOR FUTURE REFERENCE

Upon receipt of this fixture, thoroughly inspect it for any damage. If any is found, the carrier should be notified and held accountable.

GENERAL INFORMATION, CONDUIT MOUNT:

- All 12" (304.8 mm) minimum supply wire outside of conduit.
- Fixture housing conduit threads are 3/4-14 NPS or 1-11 1/2 NPS.
- Use a waterproof pipe joint compound (by others) for all entries into housing.
- Plug all unused entries into housing (if applicable).

PENDANT/CONDUIT & CONE MOUNT

(See Figures 1a, 1b, 2, and 3)

STEP 1

To ease installation, top cover ① should be removed from the fixture assembly. Unfasten the latch ② and the top cover casting can be removed from the hinge pin assembly ③.

STEP 2

Feed electrical supply wire through the center threaded hole in the top cover and thread top cover onto conduit until tight.

STEP 3

Tighten set screw located on conduit hub inside the cover to prevent fixture rotation.

STEP 4

Fixture ground wire connection can be made with supply ground at this point if desired.

STEP 5

Lift fixture assembly and place the hinge pin ③ in the cradle ④ of the top cover casting. The fixture can now hang from the hinge pin.

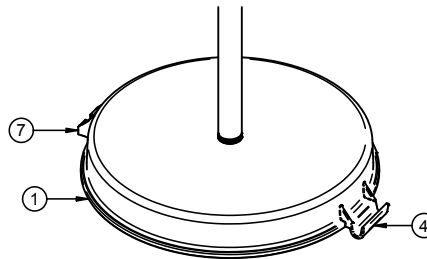


Figure 1a

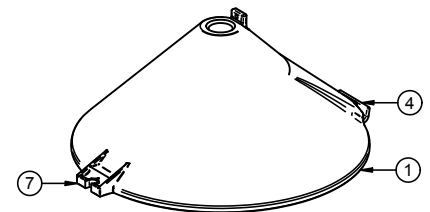


Figure 1b

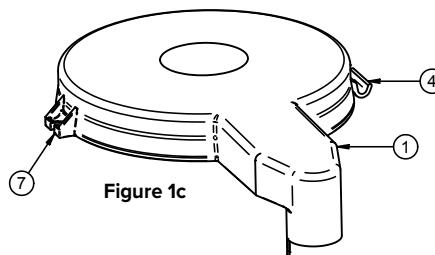


Figure 1c

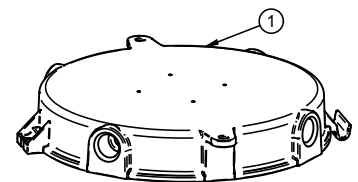


Figure 1d

HBL

HEAVY INDUSTRIAL HIGH BAY

(continued)

PENDANT/CONDUIT & CONE MOUNT

(See Figures 1a, 1b, 2, and 3)

STEP 6

Make remaining wiring connections. See appropriate WIRING SCHEMATIC for reference. If ground wire was not connected earlier, connect the fixture ground with the incoming ground wire. There will be a single white and a single black wire providing power to the entire array of LED drivers. Incoming power to be connected to the white wire and the black wire. See warnings above about wire connections.

STEP 7

Dress wires as needed.

STEP 8

Gently pivot the assembly up until the lower portion of the fixture is against the top cast cover. The lower portion of the fixture should “nest” inside the fixture cover ①. The orange sealing gasket ⑤ should compress evenly as well.

STEP 9

Swing wire bail of the latch ⑥ over the top cover at the latching point ⑦.

STEP 10

Press the latch lever ⑧ to draw the two halves of the fixture together and seal.

STRAIGHT STANCHION/POLE MOUNT

(See Figures 1c, 2, and 3)

STEP 1

To ease installation, top cover ① should be removed from the fixture assembly. Unfasten the latch ② and the top cover casting can be removed from the hinge pin assembly ③.

STEP 2

Feed electrical supply wire from the mounting pole through the wireway in the top cover and then thread/screw the top cover onto the mounting pole until tight (and in desired orientation).

STEP 3

Tighten set screw location on cast top to prevent fixture rotation.

STEP 4

Follow steps 4 through 10 from previous section of instructions.

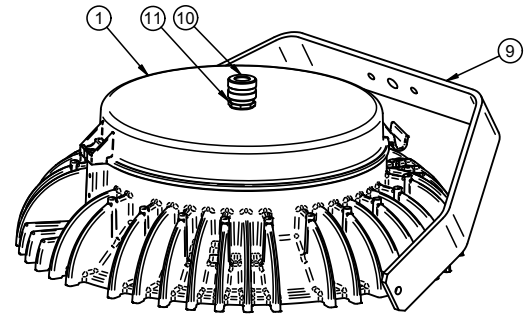


Figure 1a

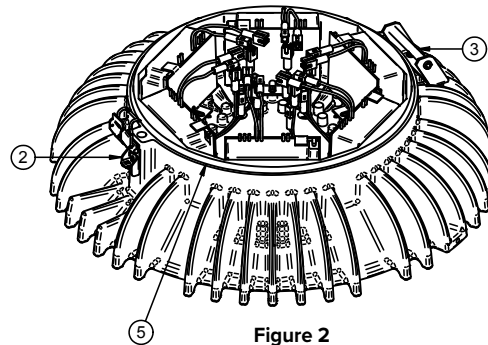


Figure 2

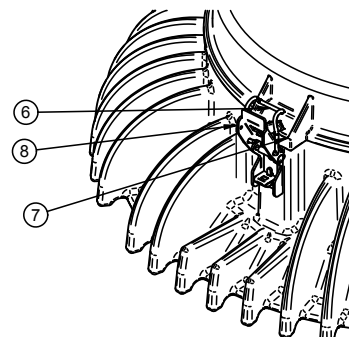


Figure 3

CEILING/FLUSH MOUNT

(See Figures 1d, 2, and 3)

STEP 1

To ease installation, top cover ① should be removed from the fixture assembly. Unfasten the latch ② and the top cover casting can be removed from the hinge pin assembly ③.

STEP 2

Feed electrical supply wire through the appropriate threaded hole/hub in the top cover and thread conduit into the top cover until tight. For applications using “thru-wiring” all conduit should be attached to the top cover.

STEP 3

Attach top cover to ceiling using recommended hardware, BUT DO NOT TIGHTEN THE TOP COVER TO THE CEILING. Clearance between the fixture housing and the ceiling is necessary at this point.

STEP 4

Fixture ground wire connection can be made with supply ground at this point if desired.

STEP 5

Lift fixture assembly and place the hinge pin ③ in the cradle ④ of the top cover casting. There should be enough clearance between the hinge cradle and the ceiling to allow the hinge pin placement. The fixture can now hang from the hinge pin.

STEP 6

TIGHTEN THE TOP COVER TO THE CEILING.

STEP 7

Make remaining wiring connections. See appropriate WIRING SCHEMATIC for reference. If ground wire was not connected earlier, connect the fixture ground with the incoming ground wire. There will be a single white and a single black wire providing power to the entire array of LED drivers. Incoming power to be connected to the white wire and the black wire. See warnings above about wire connections.

STEP 8

Dress wires as needed.

STEP 9

Gently pivot the assembly up until the lower portion of the fixture is against the top cast cover. The lower portion of the fixture should “nest” inside the fixture cover ①. The orange sealing gasket ⑤ should compress evenly as well.

STEP 10

Swing wire bail of the latch ⑥ over the top cover at the latching point ⑦.

STEP 11

Press the latch lever ⑧ to draw the two halves of the fixture together and seal.

YOKE MOUNT

(See Figures 1e, 2, and 3)

STEP 1

Yoke mounting bracket ⑨ is shipped with the fixture, but is not assembled at the factory. Mounting hardware is also included.

STEP 2

Position the yoke as shown in Figure 1e, lining up the mounting holes of the yoke with the drilled and tapped holes in the fixture housing.

STEP 3

Attach the yoke to the fixture housing loosely, using the flat washers, lock washers, and ¼-20 screws.

STEP 4

To ease installation, top cover ① should be opened/removed from the fixture assembly. Unfasten the latch ② and the top cover casting can be opened/removed from the hinge pin assembly ③.

STEP 5

Feed electrical supply cord (customer supplied) through the strain relief ⑩ and reducer bushing ⑪ and through the threaded hole in the top cover.

STEP 6

Fixture wiring to supply wiring can be completed at this point (see WIRING SCHEMATIC for reference).

STEP 7

To help with wire management, eliminate slack in the electrical cord inside the fixture before completely threading the strain relief into the reducer bushing. Thread the strain relief /reducer bushing into the top cast cover until tight.

STEP 8

Tighten set screw located on conduit hub inside the cover to prevent rotation of the strain relief.

STEP 9

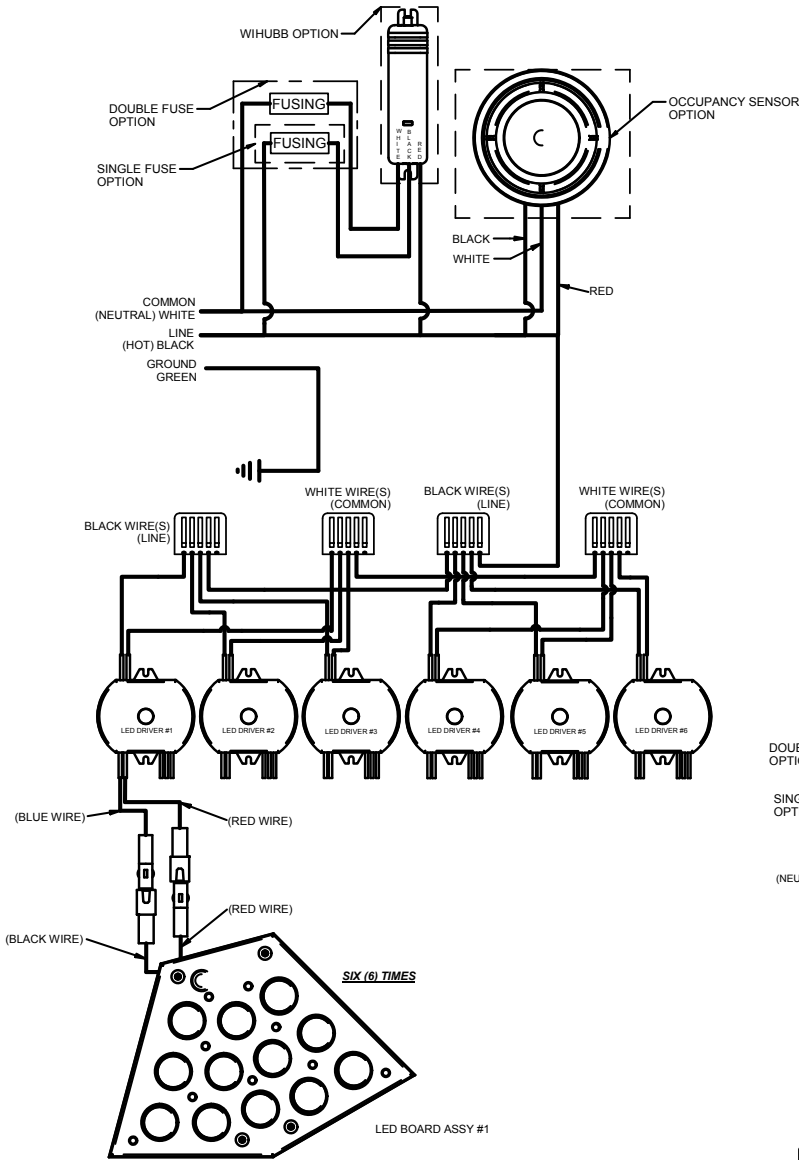
Determine final position of yoke mounting bracket and then tighten all hardware.

STEP 2

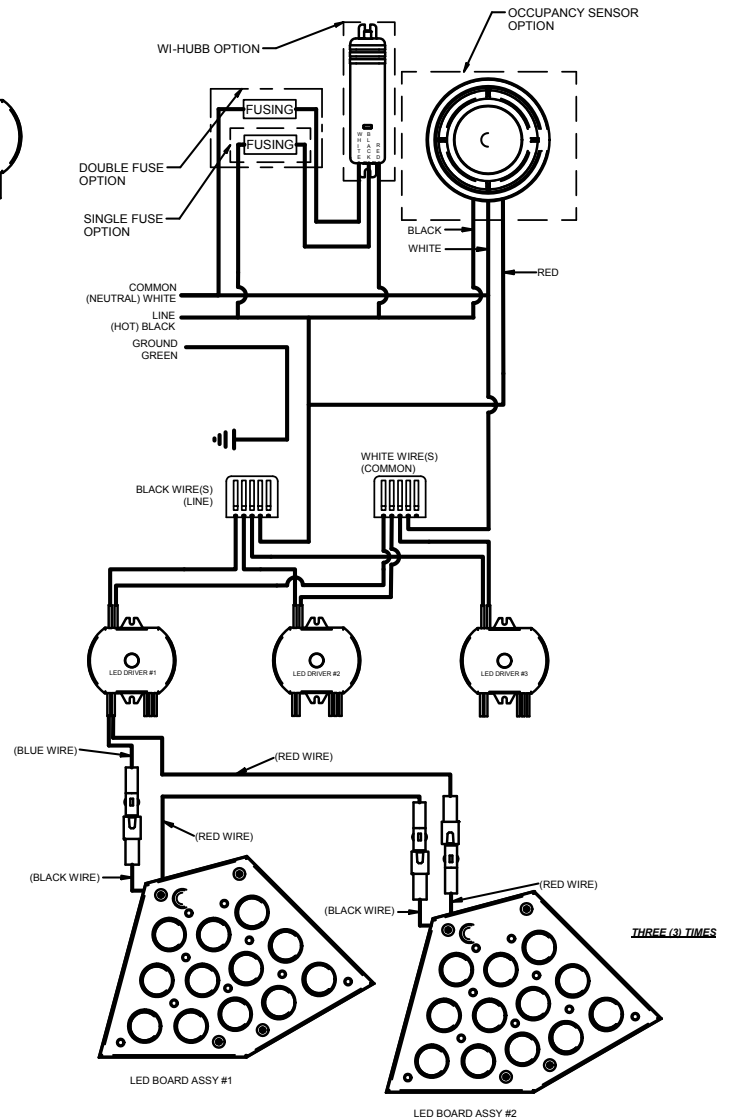
Feed electrical supply wire through the appropriate threaded hole/hub in the top cover and thread conduit into the top cover until tight. For applications using “thru-wiring” all conduit should be attached to the top cover.

STEP 3

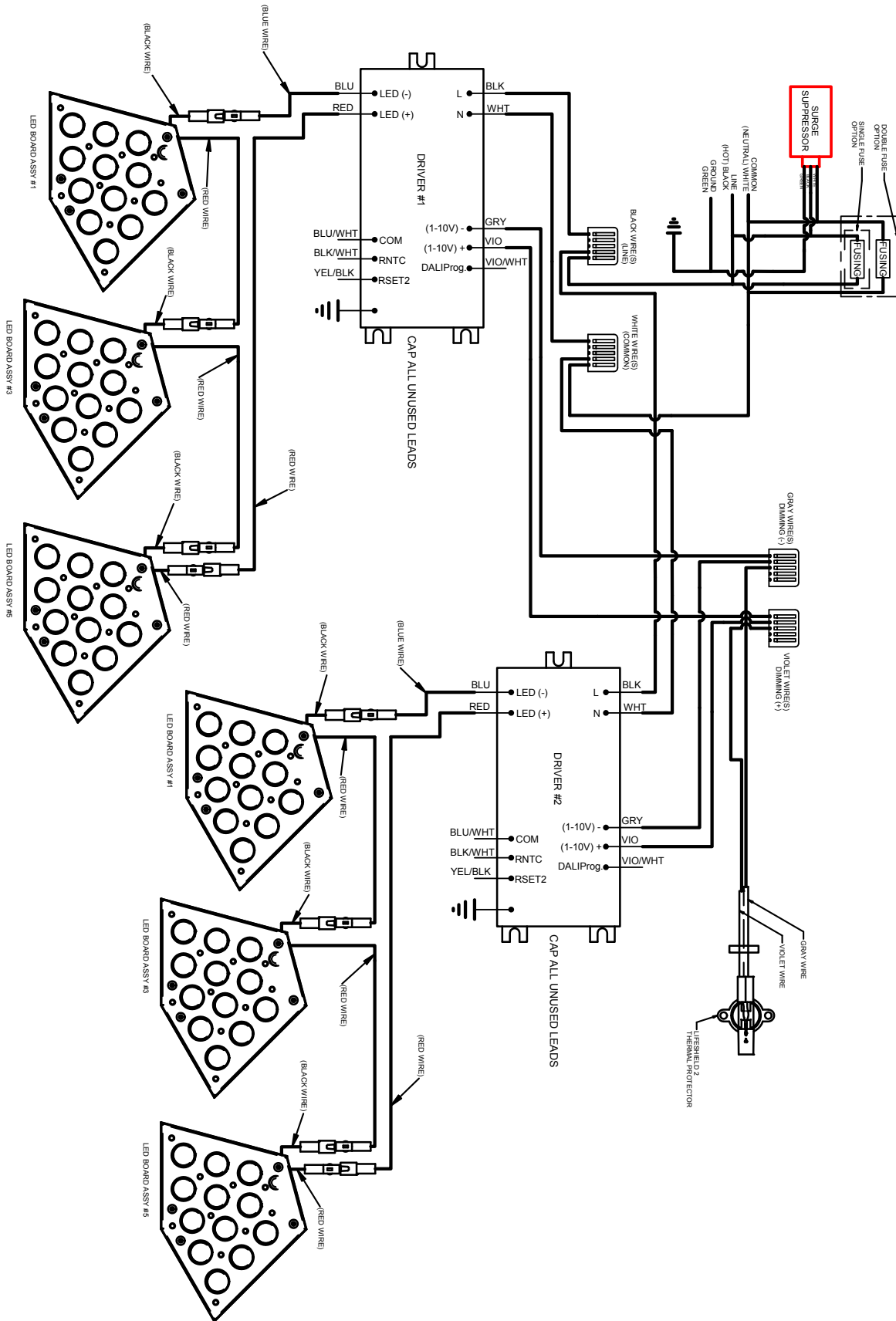
Attach top cover to ceiling using recommended hardware, BUT DO NOT TIGHTEN THE TOP COVER TO THE CEILING. Clearance between the fixture housing and the ceiling is necessary at this point.



WIRING SCHEMATIC - HBL/HBLH
60 & 72 LED FIXTURE



WIRING SCHEMATIC - HBL/HBLH
48 LED FIXTURE



WIRING SCHEMATIC - HBLHA